



Ref : JAI / GC / 2017

Date : 02.08.2024



Dear Sir,

At the outset, we thank you all for patronizing our products. As you are aware, our **JAIBALAJI** products are the **ONLY PRODUCTS** available in India with  &  Markings and **IP-67** Protection. We are also an **ISO 9001 : 2015** Certified company offering **QUALITY PLUS** Products at **MOST COMPETITIVE PRICE**. **JAIBALAJI** Products are manufactured making use of **UL Listed V2 Flame Retardant Grade 960°** Glow Wire Tested Anti corrosive Anti-Acid unbreakable **Engineering Plastic** and are fully insulated. Our wide range of products are **Illuminated Push Buttons, Pilot lights, Push Button Stations (Plastic & Metal) LED Electronic Module Indicating lights (16.5 mm & 22.5 mm dia) Electronic signal Tower lights (LED & BULB) Electronic Proximity Sensors (Photo Sensors, Diffuse, Thro' Beam, Colour mark, Inductive & Capacitive) Electronic Timer Din Rail (Analog & Digital) Electronic Digital Counter / Timer, Digital Meters AC / DC Voltmeter, Ammeter, Digital Panel Meters, Frequency Meters, Variety of Limit Switches, like BC-9, BC-9T, JW Micro Adjustable, CEE EM 45, Precision, Miniature Snap Action, Mini Limit Switches, Heavy Duty Limit Switches JB - 2700, Extra Heavy Duty JC-1125 Limit Switches, Explosion Proof EPHA Limit Switches, Foot Switches, Engineering Plastic Industrial Plug & Sockets, and Connectors Cam Operated Rotary Switches, variety of different sizes of Junction Boxes (Engineering Plastic & Metal) and Telescopic Brushes, Pullcord, Beltsway, Zero speed switch & Rocker switch. Distribution Boxes, Pendent Pushbutton stations, CEE EM 45 Mini Limit Switch, Bus bar Indicator & Reed Magnetic Switch**

DEALERS ENQUIRIES ARE SOLICITED

This supersedes all previous Price Lists, Prices are subject to change without prior notice, Prices at the time of supply will be applicable.

Your continued patronage and kind co-operation will be very much appreciated.

Thanking you and assuring you of our best services always.

Yours faithfully,

for 



CHANAKYACHANDRAMOHAN

Encl : as above.

New No. 107, Sidco Industrial Estate

Post Box No. 27, Ambattur,

Chennai - 600 098. India

Phone : 0091 - 44 - 2625 1279

0091 - 44 - 2625 4469

0091 - 44 - 2625 4470

0091 - 44 - 2625 7174

0091 - 44 - 2625 7859

Fax : 0091 - 44 - 2625 5038

E-mail : dchandramohan@jaibalaji.firm.in

WEBSITE : www.jaibalaji.firm.in



S.No.	List of Panel Accessories	Page No
1	ISO Certificate	1
2	ISI Certificate	2-7
3	CSA Certificate	8-10
4	CE Certificate	11-12
5	Engineering Plastic Plug & Socket	13-16
6	Cam Operated Rotary Switch	17-22
7	Push button non illuminated actuators	23
8	Push button key selector	23-24
9	Push button illuminated actuators pilot light & spares	25-28
10	Engg Plastic Push button station	29
11	Plastic pendant push button station	30
12	AI Push button station with Actuator	31
13	AI pendant push button station with Actuator	31
14	AI Push button station &Pendent	32
15	Engg Plastic Junction & Distribution box	33-37
16	Telescopic brush plug	38

CERTIFICATE

The Certification Body
of TÜV SÜD South Asia Private Limited
certifies that



Jaibalaji Control Gears Pvt. Ltd
No. 107, Sidco Industrial Estate, Ambattur, Chennai, - 600098, India

has implemented Quality Management System
in accordance with **ISO 9001:2015**
for the scope of

**Design, Manufacture and Supply of
Electromechanical, Electronic Controlling, Signalling Devices and
Switchgears for Engineering and Industrial Automation**

The certificate is valid from **2024-03-22** until **2027-03-21**

Subject to successful completion of annual periodic audits

The present status of this certificate can be obtained through TUV SUD website by scanning below QR code and by entering the certificate number (without spaces) on web page. Further clarifications regarding the status & scope of this certificate may be obtained by consulting the certification body at info.in@tuvsud.com

Certificate Registration No. **99 100 02459**

Date of Initial certification: **2008-05-28**

Issue Date: **2024-03-19** Rev. **00**



Rahul Kale
Head of Certification Body
of TÜV SÜD South Asia Private Limited,
Mumbai
Member of TÜV SÜD Group





இந்திய தர நிர்ணய அமைவனம்

भारतीय मानक ब्यूरो
BUREAU OF INDIAN STANDARDS

दक्षिणी क्षेत्रीय कार्यालय

: पोस्ट बॉक्स नं. 8290
सी. आई. टी. फोरम, चौथा क्रॉस रोड,
तरामनी, चेन्नै - 600 113.
Southern Regional Office : Post Box No. 8290
CIT Campus, IV Cross Road,
Taramani, Chennai - 600 113.

ANNEXURE TO ENDORSEMENT NO.16 DATED 20030206

1) LIMIT SWITCHES

RATED OPERATIONAL VOLTAGE : 415V
RATED THERMAL CURRENT : 10A
OPERATIONAL CURRENT : 1.5A(AC)
RATED IMPULSE VOLTAGE : 1.5KV AC
INSULATION VOLTAGE : 600V
POLLUTION DEGREE : '2'
IP CODE : IP 67
UTILISATION CATEGORY : AC 15/DC 13
CONDITIONAL SHORT CIRCUIT CURRENT : 100A
DESIGNATION : A600/R300
CONTACT ELEMENT : TYPE : ZA
MECHANICAL DUTY CLASS : 3
FREQUENCY OF OPERATIONAL CYCLES FOR ELECTRICAL DURABILITY : 300/HOUR

2) ROTARY SWITCHES:

UTILISATION CATEGORY : AC15
RATED INSULATION VOLTAGE : 600V AC
RATED IMPULSE VOLTAGE : 1.5KV AC
RATED OPERATIONAL VOLTAGE : 415V AC,
RATED FREQUENCY : 50Hz
CORRESPONDING OPERATIONAL CURRENT : 1.8A, 2A, 4A, 6A, 8A, 10A
CORRESPONDING THERMAL CURRENT : 7.5A, 12.5A, 20A, 32A, 40A, 80A
POLLUTION DEGREE/CASE : 3/CASE A
CLASS OF MECHANICAL DURABILITY : 3
MATERIAL GROUP : III a

3) PUSH BUTTON SWITCH

UTILISATION CATEGORY : AC15
RATED INSULATION VOLTAGE : 600V
RATED IMPULSE VOLTAGE : 1.5KV AC
RATED OPERATIONAL VOLTAGE : 415V AC, 50Hz
RATED OPERATIONAL CURRENT : 1.8A
RATED THERMAL CURRENT : 10A
POLLUTION DEGREE/CASE : 3/CASE A
CLASS OF MECHANICAL DURABILITY : 3
DESIGNATION : A600/R300

DIRECTOR & HEAD (MARKS II)
BIS, CHENNAI



இந்திய தர நிர்ணய அமைவனம்
भारतीय मानक ब्यूरो
BUREAU OF INDIAN STANDARDS

दक्षिणी क्षेत्रीय कार्यालय

: पोस्ट बॉक्स नं. 8290

सी. आई. टी. कैम्पस, चौथा क्रॉस रोड,
तरामनी, चेन्नै - 600 113.

Southern Regional Office : Post Box No. 8290

CIT Campus, IV Cross Road,
Taramani, Chennai - 600 113.

ANNEXURE TO ENDORSEMENT NO.16 DATED 20030266

4) AC INDICATOR LIGHTS (BULB)

Rated operational voltage	24, 48, 110, 230 V AC
Rated voltage of light	24, 48, 110, 230 V AC
Rated voltage of lamp	24, 48, 130, 130 V AC
Rated power	2.0, 2.0, 2.6, 2.6 Watts Max
Rated thermal power for mounting on metal plate	2.6, 2.6, 2.6, 2.6 Watts Max
Rated thermal power for mounting on enclosure	2.6, 2.6, 2.6, 2.6 Watts Max
Colour	Yellow, red, amber, blue, green, black, white, clear (for type and designation and colour, please see the catalogue enclosed)
Fixing hole diameter	22.5 mm, 22.5 mm, 22.5 mm, 22.5 mm
Means of connection	Single pin type small miniature with baynet cap holder
Nature of current applied and its frequency	AC 50 cycles
Type of lamp socket	Small miniature baynet cap holder with Nylon 66 (Grade 30) protective cover


DIRECTOR & HEAD (MARKS II)
BIS, CHENNAI



38
இந்திய தர நிர்ணய அமைவனம்
भारतीय मानक ब्यूरो
BUREAU OF INDIAN STANDARDS

दक्षिणी क्षेत्रीय कार्यालय

: पोस्ट बॉक्स नं. 8290

सी. आई. टी. फोरम, चौथा क्रॉस रोड,
तराणी, चेन्नै - 600 113.

Southern Regional Office :

Post Box No. 8290

CIT Campus, IV Cross Road,
Taramani, Chennai - 600 113.

ANNEXURE TO ENDORSEMENT NO.16 DATED 20.03.2006

5) DC INDICATOR LIGHTS (BULB)

Rated operational voltage	24, 48, 110, 230 V DC
Rated voltage of light	24, 48, 110, 230 V DC
Rated voltage of lamp	24, 48, 130, 130 V DC
Rated power	2.2, 2.6, 2.6 Watts Max
Rated thermal power for mounting on metal plate	2.2, 2.6, 2.6 Watts Max
Rated thermal power for mounting on enclosure	2.2, 2.6, 2.6 Watts Max
Colour	Yellow, red, amber, blue, green, black, white, clear (for type and designation and colour, please see the catalogue enclosed)
Fixing hole diameter	22.5 mm, 22.5 mm, 22.5 mm, 22.5 mm
Means of connection	Single pin type holder small miniature with baynet cap holder
Nature of current applied and its frequency	DC
Type of lamp socket	Small miniature baynet cap holder with Nylon 66 (Grade 30) protective cover

DIRECTOR & HEAD (MARKS II)
BIS, CHENNAI



38

இந்திய தர நிர்ணய அமைவனம்
भारतीय मानक ब्यूरो
BUREAU OF INDIAN STANDARDS

दक्षिणी क्षेत्रीय कार्यालय

: पोस्ट बॉक्स नं. 8290

सी. आई. टी. फ़ैम्पस, चौथा क्रॉस रोड,

तरामणी, चेन्नै - 600 113.

Southern Regional Office : Post Box No. 8290

CIT Campus, IV Cross Road,

Taramani, Chennai - 600 113.

ANNEXURE TO ENDORSEMENT NO.16 DATED 2008.02.06

6) AC INDICATOR LIGHTS (LED - LIGHT EMITTING DIODE)

Rated operational voltage	12, 24, 48, 110, 230 V AC
Rated voltage of light	12, 24, 48, 110, 230 V AC
Rated voltage of LED	2.2, 2.2, 2.2, 2.2 V AC Max
Rated current/power	25 mA/300 mW
Rated thermal power for mounting on metal plate	25 mA/300 mW
Rated thermal power for mounting on enclosure	25 mA/300 mW
Colour	Yellow, red, amber, blue, green, black, white, clear (for type and designation and colour, please see the catalogue enclosed)
Fixing hole diameter	22.5 mm, 22.5 mm, 22.5 mm, 22.5 mm
Means of connection	Solder connection
Nature of current applied and its frequency	AC 50 cycles
Type of lamp socket	Nylon 66 (Grade GF 30) protective cover


DIRECTOR & HEAD (MARKS II)
BIS, CHENNAI



இந்திய தர நிர்ணய அமைவனம்
भारतीय मानक ब्यूरो
BUREAU OF INDIAN STANDARDS

दक्षिणी क्षेत्रीय कार्यालय

: पोस्ट बॉक्स नं. 8290

सी. आई. टी. कैम्पस, चौथ क्रॉस रोड,
तरामणी, चेन्नै - 600 113.

Southern Regional Office : Post Box No. 8290

CIT Campus, IV Cross Road,
Taramani, Chennai - 600 113.

ANNEXURE TO ENDORSEMENT NO.16 DATED 20030206

7) DC INDICATOR LIGHTS (LED - LIGHT EMITTING DIODE)

Rated operational voltage	12, 24, 48, 110, 230 V DC
Rated voltage of light	12, 24, 48, 110, 230 V DC
Rated voltage of lamp	2.2, 2.2, 2.2, 2.2 V DC Max
Rated current/power	25 mA/300 mW
Rated thermal power for mounting on metal plate	25 mA/300 mW
Rated thermal power for mounting on enclosure	25 mA/300 mW
Colour	Yellow, red, amber, blue, green, black, white, clear (for type and designation and colour, please see the catalogue enclosed)
Fixing hole diameter	22.5 mm, 22.5 mm, 22.5 mm, 22.5 mm
Means of connection	Solder connection
Nature of current applied and its frequency	DC
Type of lamp socket	Nylon 66 (Grade GF 30) protective cover

DIRECTOR & HEAD (MARKS II)
BIS, CHENNAI



இந்திய தர நிர்ணய அமைவனம்
भारतीय मानक ब्यूरो
BUREAU OF INDIAN STANDARDS

दक्षिणी क्षेत्रीय कार्यालय

: पोस्ट बॉक्स नं. 8290

सी. आई. टी. कैम्पस, चौथ क्रॉस रोड,
तरावणी, चेन्नै - 600 113.

Southern Regional Office : Post Box No. 8290

CIT Campus, IV Cross Road,
Taramani, Chennai - 600 113.

ANNEXURE TO ENDORSEMENT NO.16 DATED 20030206

8) MINIATURE LIMIT SWITCH

Rated operational voltage	: 240 V AC, 50 Hz
Rated operational current	: 3 A
Rated thermal current	: 10 Amp
Utilization category	: AC 15
Rated insulation voltage	: 600 V AC
Rated surge voltage	: 1500 V
Pollution degree	: 2
Rated conditional short circuit current	: 1000 A
Number of poles	: Single


DIRECTOR & HEAD (MARKS II)
BIS, CHENNAI



CERTIFICATION RECORD

The company named below has been authorized by CSA to represent the products listed in this record as "CSA Certified" and to affix the CSA Mark to these products according to the terms and conditions of the CSA Service Agreement and applicable CSA program requirements (including additional Markings).

File No: 114811 0 000

Class No: 3211 87 INDUSTRIAL CONTROL EQUIPMENT Miscellaneous Apparatus
- Certified to US Standards

SUBMITTOR

4576887 M/s Jai Balaji & Co.
89, Sidco Industrial Estate
P.O. No. 27
Ambattur
Chennai, 600098
India

FACTORY

4576887 M/s Jai Balaji & Co.
89, Sidco Industrial Estate
P.O. No. 27
Ambattur
Chennai, 600098
India

November 18, 2002 (Replaces: September 22, 1999)

- Rotary Switches, JRS-XX Series, Model Numbers and ratings are as follows:

Model No	Voltage	Current
JRS 9	400 V	6 A
JRS 18	400 V	10 A
JRS 27	400 V	16 A
JRS 45	400 V	25 A
JRS 63	400 V	32 A
JRS 81	400 V	40 A
JRS 90	400 V	63 A

- Limit Switches, JLS Series, JW Series, CEE EM 45 Series, the electrical ratings / mechanism / contacts are same for all the models and are as follows:

Model No	Contact Designation
JLS XXX	B300 / P600
JW XX	B300 / P600
CEE EM 45-XX	B300 / P600
JC XXXX	B300 / P600
JB XXXX	B300 / P600

Note: The suffixes -XXX indicate Model Numbers with different lever heads.

- Proximity Switches JB Series details are given below:

Model No	Type	DC Volts	DC Amps	AC Volts	AC Amp
JB 8 PILM	3 Wire DC	30 V DC	200 mA	--	--
JB 12 PIFM	3 Wire DC	30 V DC	200 mA	--	--
JB 18 PILM	3 Wire DC	30 V DC	200 mA	--	--
JB 30 PILM	3 Wire DC	30 V DC	200 mA	--	--
JB 36 AILM	2 Wire DC	--	--	230 V	300 mA
JB 50 PILM	2 Wire DC	30 V DC	200 mA	--	--

- Contact Switch Element for Push Buttons, Model Nos and Rating are as follows:

Model No	Contact Type	Designation	AC Rating	DC Rating
			Voltage/Current	Voltage/Current
JB1	N O	B300/P600	400 V/10 A	600 V/5 A
JB2	N C	B300/P600	400 V/10 A	600 V/5 A

● Pilot Lights

Model	Rated Voltage	Max Current mA
ML, PL	12 V, 24V, 48 V, 110 V ac/dc, 230 V ac and 220 V dc	25 mA
MB	12 V ac/dc	180 mA
	24 V ac/dc	80 mA
	48 V ac/dc	40 mA
	110 V ac/dc, 230 V ac and 220 V dc	25 mA

Note: These devices are certified as components only for use in other certified equipment where the suitability of the combination is determined by CSA International.

Certificate of Compliance

To the Low Voltage Directive, 73/23/EEC and 93/68/EEC

Project No.: DL 06000125-71Q

Type of Product: Plugs, socket-outlets and couplers for Industrial purposes
JAIBALAJI and Co.

Document holder: 89 (New:107), SIDCO Industrial Estate,
Post Box No.27, Ambattur, Chennai-600 098. India.
JAIBALAJI and Co.

Manufacturer: 89 (New:107), SIDCO Industrial Estate,
Post Box No.27, Ambattur, Chennai-600 098. India.

Type designation : Ref Annexure-"A"

Technical data

Trade mark: **JAIBALAJI**

This Notice of Presumption of Conformity has been based on the following:

- Based on Safety test report issued by Intertek with reference number DL06000125-001
- **Applicable standard:**
- EN 60309-1:1999 + A11:2004 - Plugs, socket-outlets and couplers for industrial purposes –part 1 General requirements.
- EN 60309-2:1999 +A11:2004 – Plugs, socket-outlets and couplers for industrial purposes –part 2 Dimensional interchangeability requirements for pin and contact-tube accessories.
- **Other info: Manufacturer's Technical File**
- **Manufacturer ensures that the manufactured products will be identical to the samples evaluated**

We confirm that the samples evaluated, according to our review of the above test reports and with our complementary evaluation, without any reasonable doubt will fulfil the requirements concerning electrical safety according to above mentioned standards harmonised with the Low Voltage Directive 73/23/EEC and 93/68/EEC. Obvious electrical safety risks other than those covered by the above standards were not revealed during our evaluations.

The product was found to contain the required items for CE Markings according to:
The Low Voltage Directive 73/23/EEC amended by 93/68/EEC

Note: Products entering the European Union are subject to the requirements set forth in the European Directives. It is the responsibility of the person placing the product on the European market to ensure compliance with applicable Directives. Our services are intended to provide you with the data needed to determine compliance, but the person placing the product on the European market still has the responsibility to ensure each product complies with the applicable Directives. Our report under this investigation will not imply that ETL SEMKO has Listed, Verified, or Recognized the product, nor does it authorize the use of Listing or Verification Marks or other reference to ETL SEMKO, on or in connection with the product.

Intertek Testing Services India Pvt. Limited
E-20, Phase B-1, Mohan Co-Operative, Industrial Area,
Mathura Road, New Delhi-110044.
Tel: + 91(0)11 41678700 Fax: +91 (0)11 41678701
<http://www.intertek-etlsemko.com>

Raghunath
G.Raghunath
Authorised Signatory
13th September 2007.



This certificate may only be reproduced in its entirety and without any change.



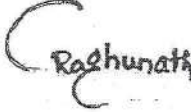
Annexure -A

Sl. No	Description		Model/Type
1	16 Amps 2 Pin + Earth	IP 44 Industrial Angled Socket	Type : J 203 AS
2	16 Amps 2 Pin + Earth	IP 44 Industrial Angled Plug	Type : J 203 AP
3	16 Amps 2 Pin + Earth	IP 44 Industrial Straight Socket	Type : J 203 SS
4	16 Amps 2 Pin + Earth	IP 44 Industrial Straight Plug	Type : J 203 SP
5	16 Amps 3 Pin + Earth + Neutral	IP 44 Industrial Angled Socket	Type : J 205 AS
6	16 Amps 3 Pin + Earth + Neutral	IP44 Industrial Straight Socket	Type : J 205 SS
7	16 Amps 3 Pin + Earth + Neutral	IP 44 Industrial Straight Plug	Type : J 205 SP
8	16 Amps 3 Pin + Earth + Neutral	IP 67 Industrial Straight Socket connector	Type : J 205 SC
9	32 Amps 2 Pin + Earth	IP 44 Industrial Angled Socket	Type : J 323 AS
10	32 Amps 2 Pin + Earth	IP 44 Industrial Straight Plug	Type : J 323 SP
11	32 Amps 3 Pin + Earth + Neutral	IP 44 Industrial Angled Socket	Type : J 325 AS
12	32 Amps 3 Pin + Earth + Neutral	IP 44 Industrial Straight Plug	Type : J 325 SP
13	32 Amps 3 Pin + Earth + Neutral	IP 67 Industrial Angled Socket	Type : J 325 AS
14	32 Amps 3 Pin + Earth + Neutral	IP 67 Industrial Straight Plug	Type : J 325 SP
15	32 Amps 3 Pin + Earth + Neutral	IP 67 Industrial Straight Socket Connector	Type : J 325 SC
16	63 Amps 3 Pin + Earth + Neutral	IP 67 Industrial Angled Socket	Type : J 635 AS
17	63 Amps 3 Pin + Earth + Neutral	IP 67 Industrial Straight Plug	Type : J 635 SP
18	63 Amps 3 Pin + Earth + Neutral	IP 67 Industrial Straight Socket Connector	Type : J 635 SC

Technical Specification : 2Pin + Earth - 230V, 50Hz, single Phase
: 3Pin + Earth + Neutral - 230V, 50Hz, single Phase
- 415V, 50Hz, Three Phase.

Note: Products entering the European Union are subject to the requirements set forth in the European Directives. It is the responsibility of the person placing the product on the European market to ensure compliance with applicable Directives. Our services are intended to provide you with the data needed to determine compliance, but the person placing the product on the European market still has the responsibility to ensure each product complies with the applicable Directives. Our report under this investigation will not imply that ETL SEMKO has Listed, Verified, or Recognized the product, nor does it authorize the use of Listing or Verification Marks or other reference to ETL SEMKO, on or in connection with the product.

Intertek Testing Services India Pvt. Limited
 E-20, Phase B-1, Mohan Co-Operative, Industrial Area,
 Mathura Road, New Delhi-110044.
 Tel: +91(0)11-41678700 Fax: +91 (0)11 41678701
<http://www.intertek-etlsemko.com>














G. Raghunath
 Authorised Signatory
 13th September 2007.

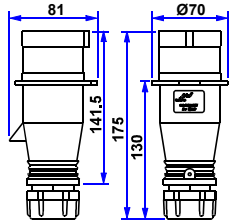


This certificate may only be reproduced in its entirety and without any change.

JIBALAJI

ENGINEERING PLASTIC INDUSTRIAL HEAVY DUTY PLUGS , SOCKETS AND CONNECTORS WITH CE MARK CATALOGUE CUM PRICE LIST

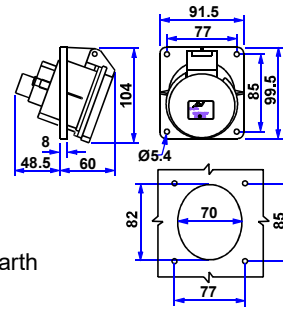
 <p>16 Amps 2Pin Straight Plug</p>	 <p>16 Amps 2Pin Straight Socket</p>
 <p>16 Amps 2Pin+Earth Angled Plug</p>	 <p>16 Amps 2Pin+Earth Angled Socket</p>
 <p>16 Amps 2Pin+Earth Straight Plug</p>	 <p>16 Amps 2Pin+Earth Straight Socket</p>
 <p>16 Amps 2Pin+Earth Straight Connector</p>	 <p>16 Amps 3Pin+Earth+Neutral Straight Connector</p>
 <p>16 Amps 3Pin+Earth+Neutral Straight Plug</p>	 <p>16 Amps 3Pin+Earth+Neutral Angled Socket</p>
 <p>32 Amps 2Pin+Earth Straight Plug</p>	 <p>32 Amps 2Pin+Earth Angled Socket</p>



Model
J324SP IP44
M.R.P. **Rs.684**

J324SP IP67
M.R.P. **Rs.882**

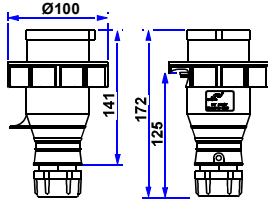
32 Amps 3Pin+Earth
Straight Plug



Model
J324AS IP44
M.R.P. **Rs.819**

J324AS IP67
M.R.P. **Rs.900**

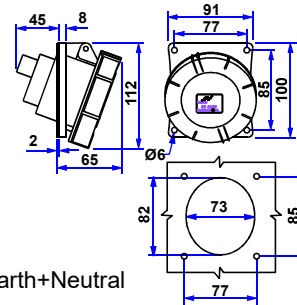
32 Amps 3Pin+Earth
Angled Socket



Model
J325SP IP44
M.R.P. **Rs.729**

J325SP IP67
M.R.P. **Rs.972**

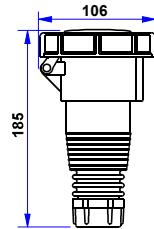
32 Amps 3Pin+Earth+Neutral
Straight Plug



Model
J325AS IP44
M.R.P. **Rs.864**

J325AS IP67
M.R.P. **Rs.945**

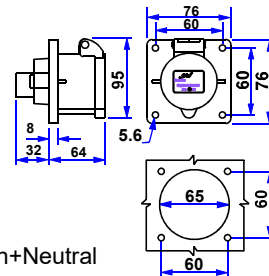
32 Amps 3Pin+Earth+Neutral
Angled Socket



Model
J325SC IP44
M.R.P. **Rs.900**

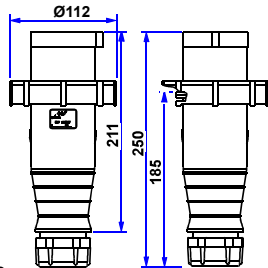
J325SC IP67
M.R.P. **Rs.1341**

32 Amps 3Pin+Earth+Neutral
Straight Connector



Model
J325SS IP44
M.R.P. **Rs.864**

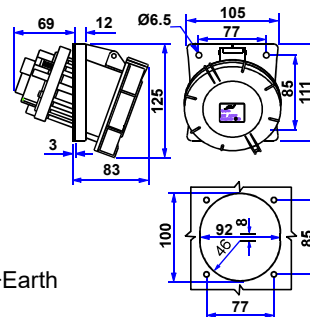
32 Amps 3Pin+Earth+Neutral
Straight Socket



Model
J634SP IP44
M.R.P. **Rs.2304**

J634SP IP67
M.R.P. **Rs.2475**

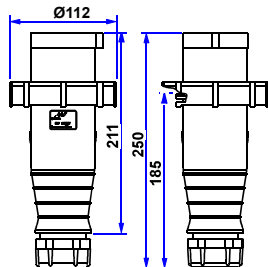
63 Amps 3Pin+Earth
Straight Plug



Model
J634AS IP44
M.R.P. **Rs.2439**

J634AS IP67
M.R.P. **Rs.2799**

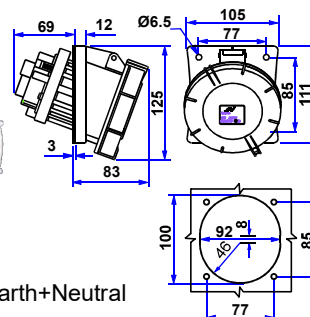
63 Amps 3Pin+Earth
Angled Socket



Model
J635SP IP44
M.R.P. **Rs.2628**

J635SP IP67
M.R.P. **Rs.2898**

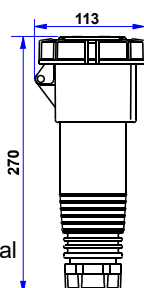
63 Amps 3Pin+Earth+Neutral
Straight Plug



Model
J635AS IP44
M.R.P. **Rs.2961**

J635AS IP67
M.R.P. **Rs.3114**

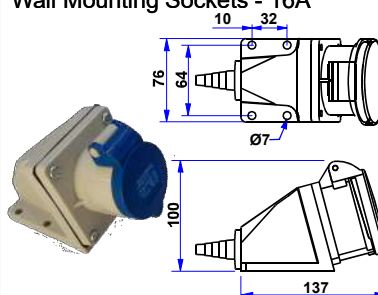
63 Amps 3Pin+Earth+Neutral
Angled Socket



Model
J635SC IP67
M.R.P. **Rs.3339**

63 Amps 3Pin+Earth+Neutral
Straight Connector

Wall Mounting Sockets - 16A

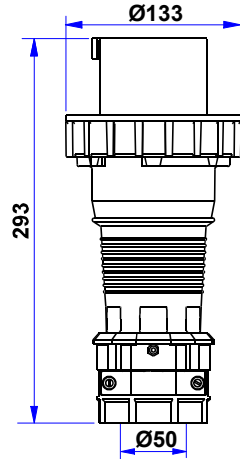


Model
J203WMSS IP44
M.R.P. **Rs.594**

Model
J205WMSS IP67
M.R.P. **Rs.945**

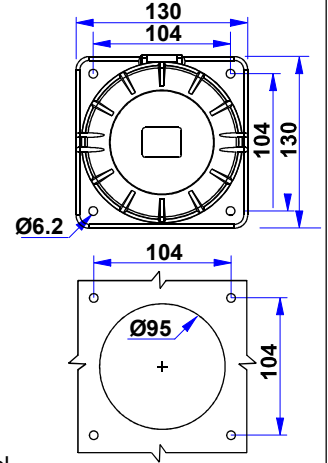
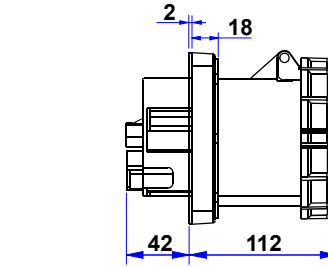
J205WMSS IP44
M.R.P. **Rs.864**

125 Amps 3Pin+Earth+Neutral
Straight Plug



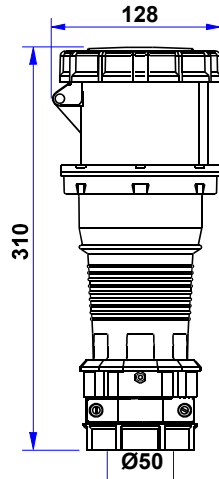
Model
J1255SP IP67
M.R.P. **Rs.5814**

125 Amps 3Pin+Earth+Neutral
Straight Socket



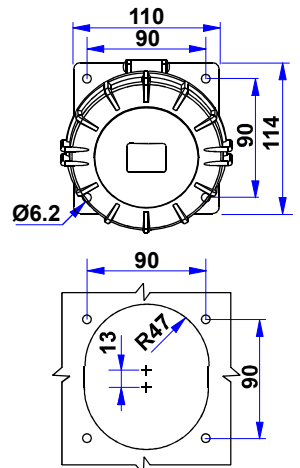
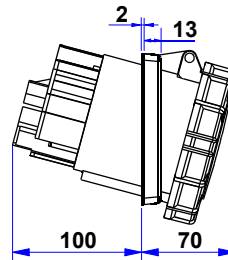
Model
J1255SS IP67
M.R.P. **Rs.5976**

125 Amps 3Pin+Earth+Neutral
Straight Connector



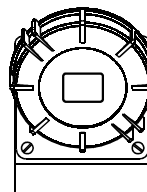
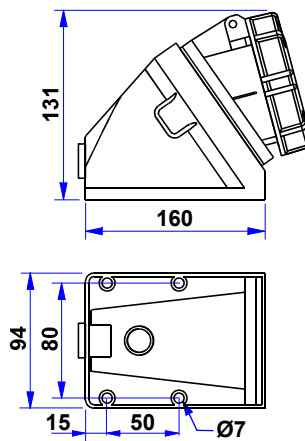
Model
J1255SC IP67
M.R.P. **Rs.6390**

125 Amps 3Pin+Earth+Neutral
Angled Socket



Model
J1255AS IP67
M.R.P. **Rs.5994**

Wall Mounting Sockets - 32A



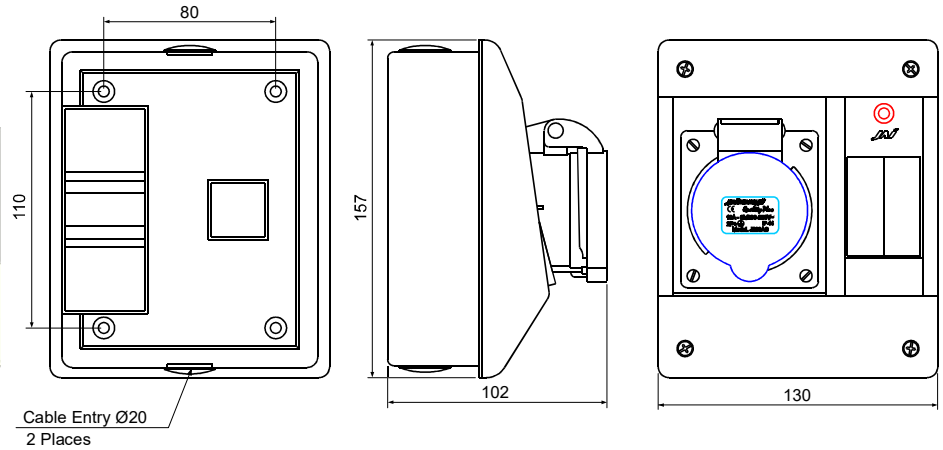
Model
J205WMAS IP44
M.R.P. **Rs.873**
J205WMAS IP67
M.R.P. **Rs.990**
J323WMAS IP44
M.R.P. **Rs.954**
J323WMAS IP67
M.R.P. **Rs.1053**
J324WMAS IP44
M.R.P. **Rs.1044**
J324WMAS IP67
M.R.P. **Rs.1134**
J325WMAS IP44
M.R.P. **Rs.1071**
J325WMAS IP67
M.R.P. **Rs.1152**

A / C BOX

Fully Insulated Plastic A/c Box With 16/20Amps 2Pin + Earth Angled Socket And Plug



M.R.P. Rs.900



Position of ground contact with respect to major for various voltages and frequencies, designated by Clock face positions in accordance with table 104 taken EN 60309 - 2 : 1992

Type	Frequency Hz	Rated Operating Voltage V	Position of Ground Contact		
			16A/32A	63A	125A
2P+E	50 and 60	200 to 250	6	6	-
3P+N+E	50 and 60	200/346/ to 240/415	6	6	6

Operation	On Load	No Load
16A	5000	
32A	1000	1000
63A	1000	1000
125A	1000	1000

Product	:	Industrial Plug & Socket
Reference Standards	:	IS/IEC 60309 Part 1 and Part 2
Working temperature	:	-25 degree C to + 80 degree C
Insulation Voltage	:	690V AC/DC
Dielectric Strength	:	2500V per/minute
Insulation Resistance	:	>5 Meg. Ohm.
Contact Resistance	:	<25 Mili. Ohm.
Max. Withdrawal force	:	<400 N
Rated Operating Voltage	:	240V/415V (AC)
Rated Operating Current	:	16A/32A/63A/125A
No. Of Poles	:	3,4 & 5
Breaking Capacity	:	1.25 times the rated current, 1.1 times the rated Voltage, power factor 0.6lag.

COLOUR CODING

If, in addition of regulation marking, the rated operating voltage is also indicated by a colour coding, this must be in accordance with IEC 309

Rated Operating Voltage	Colour code
200 to 250 V	Blue
380 to 480 V	Red

JAIBALAJI
CONTROL GEARS PVT. LTD

Post Box No. 27, 89 (New No. 107),SIDCO Industrial Estate,
Ambattur, Chennai -600 098. India
Phone: +91 44 26251279 / 26257859 / 26254470 Fax: +91 44 26255038.
E-mail: dchandramohan@jaibalaji.firm.in Web: jaibalaji.in

MIBALAJI

CAM OPERATED ROTARY SWITCHES WITH CATALOGUE CUM PRICE LIST

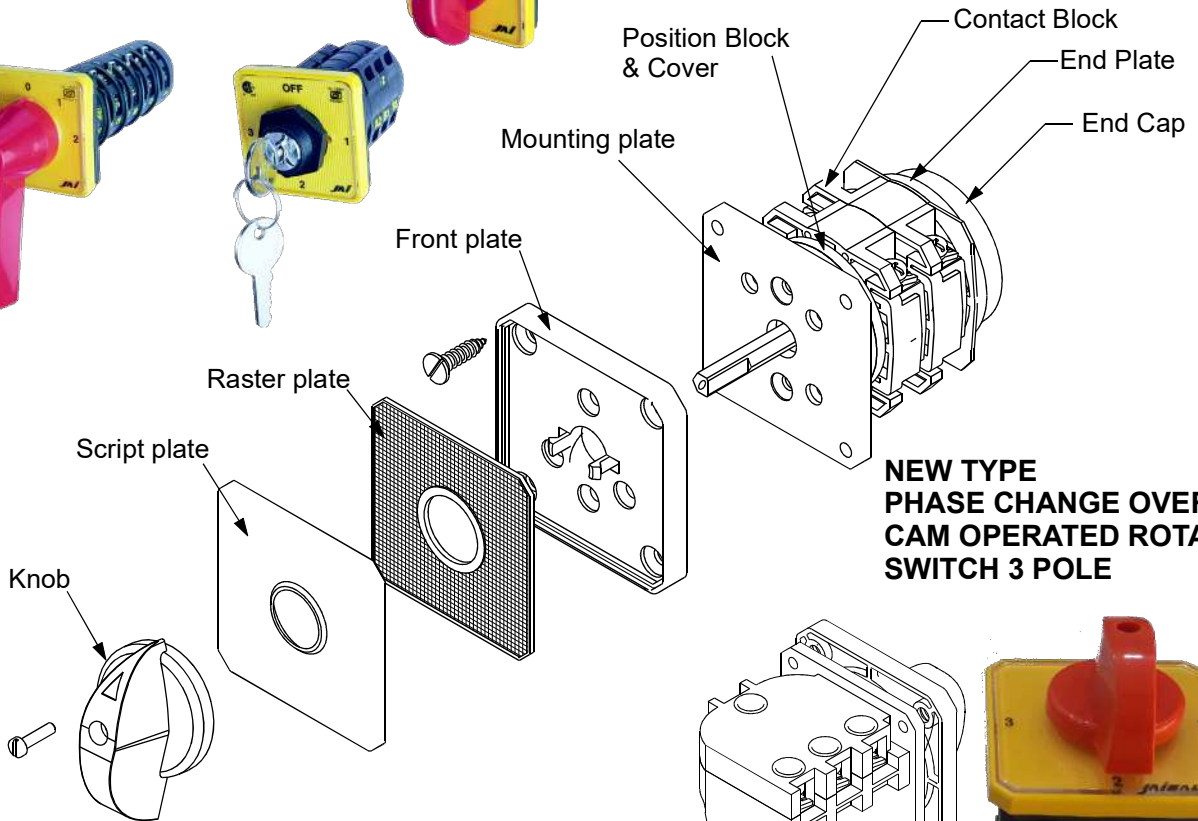
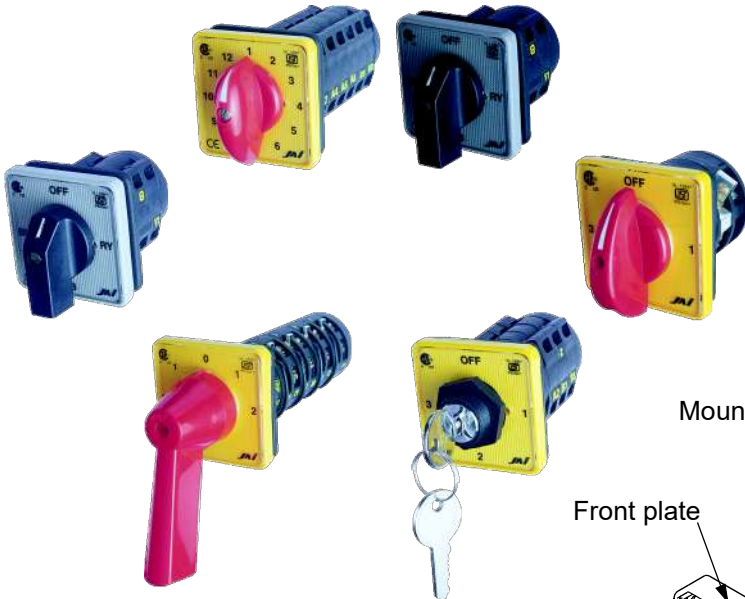
IS/IEC:60947
Pt-5/Sec-1



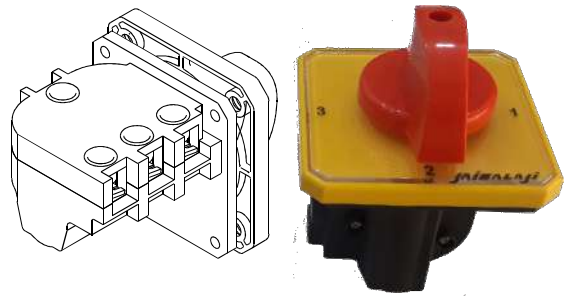
MARKS

Technical Specifications

Utilisation Category	: AC 15/DC 13 as per IS/IEC:60947
Thermal Current	: 6A to 400 A
Maximum switching cycle	: Class 300
Class of mechanical durability	: 3
Operating Temperature	: -25°C to +55°C
Rated Voltage	: 415V AC / 240V DC
Rated impulse voltage	: 1.5 KV
Frequency	: 50 Hz
Rated Insulation voltage	: 600V AC



NEW TYPE PHASE CHANGE OVER CAM OPERATED ROTARY SWITCH 3 POLE



Amps	Outer Diameter	Position Block	Contact Block CB												End Plate	End Cap
			1	2	3	4	5	6	7	8	9	10	11	12		
6 & 10	35	11.0	9.5	19.0	28.5	38.0	47.5	57.0	66.5	76.0	85.5	95.0	104.5	114.0	4.0	5.0
16	46	13.5	12	24	36	48	60	72	84	96	108	120	132	144	4.0	7.8
25&32	50	13.5	15	30	45	60	75	90	105	120	135	150	165	180	5.5	7.8
40&63	70	14.0	21.3	42.6	63.9	85.2	106.5	127.8	149.1	170.4	191.7	213	234.3	255.6	5.0	10.0
100&200	88	19.0	32	64	96	128	160	192	224	256	288	320	352	384	6.0	10.0
400	88	19.0	64	128	192	256	320	384							6.0	10.0

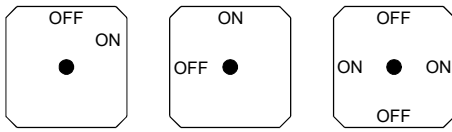


CAM OPERATED ROTARY SWITCHES WITH

IS/IEC:60947
Pt-5/Sec-1 C

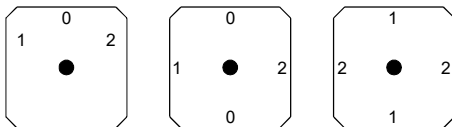


CE MARKS



ISOLATOR SWITCHES (ON - OFF SWITCHES)

60° OPERATION	90° OPERATION	90° OPERATION COMPLETE ROTATION	DESCRIPTION	6A M.R.P. Rs.	10A M.R.P. Rs.	16A M.R.P. Rs.	25A M.R.P. Rs.	32A M.R.P. Rs.	40A M.R.P. Rs.	63A M.R.P. Rs.	100A M.R.P. Rs.	200A M.R.P. Rs.
MODEL (Program No.)												
27001	27191	27195	1Pole ON-OFF	144	234	333	378	477	594	702	3699	4770
27002	27192	27198	2Pole ON-OFF	189	270	387	468	549	729	900	4617	6219
27003			3Pole ON-OFF	207	324	630	810	990	1242	1791	6255	8154
	27199	27197	3Pole ON-OFF	207	324	441	594	684	855	1233	5688	7767
27004	27194	27196	4Pole ON-OFF	252	378	495	747	792	972	1485	6588	9234

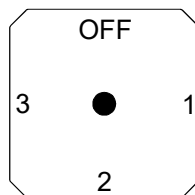


CHANGE OVER SWITCHES

(Local - Remote, & Auto - Manual Switches)

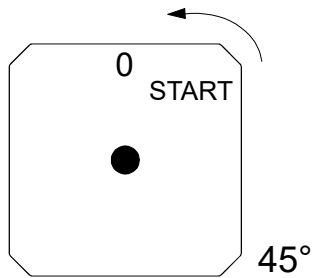
WITH CENTER OFF 60°	WITH OFF 90°	WITHOUT OFF (90° WITH) COMPLETE ROTATION	DESCRIPTION	6A M.R.P. Rs.	10A M.R.P. Rs.	16A M.R.P. Rs.	25A M.R.P. Rs.	32A M.R.P. Rs.	40A M.R.P. Rs.	63A M.R.P. Rs.	100A M.R.P. Rs.	200A M.R.P. Rs.
MODEL (Program No.)												
27025	27151	27037	1Pole 2Way	189	315	432	477	531	702	954	4770	6903
27026	27152	27038	2Pole 2Way	252	378	495	639	738	963	1449	6984	10521
27027	27153	27039	3Pole 2Way	315	477	657	963	1044	1215	1944	9045	13464
27028	27154	27040	4Pole 2Way	387	558	756	1260	1323	1467	2439	11430	16830

PHASE CHANGE OVER SWITCHES



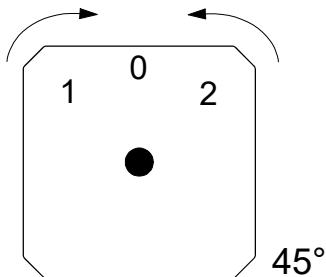
1Pole 3 Way with OFF	25A M.R.P. Rs.	32A M.R.P. Rs.	40A M.R.P. Rs.	63A M.R.P. Rs.
MODEL (Program No.)				
27060	405	504	738	828

ON - OFF SPRING RETURN SWITCHES



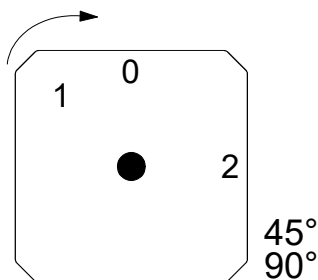
MODEL (Program No.)	DESCRIPTION	16A M.R.P. Rs.	25A M.R.P. Rs.
27351	1Pole ON-OFF	738	1143
27352	2Pole ON-OFF	774	1296
27353	3Pole ON-OFF	873	1548
27354	4Pole ON-OFF	1026	1692

DOUBLE THROW WITH SPRING RETURN SWITCHES



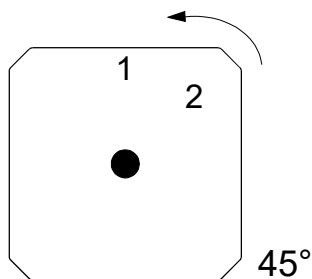
MODEL (Program No.)	DESCRIPTION	16A M.R.P. Rs.	25A M.R.P. Rs.
27361	1Pole 2 way with OFF	774	1296
27362	2Pole 2 way with OFF	1134	1692
27363	3Pole 2 way with OFF	1242	2115

ONE SIDE SPRING RETURN SWITCHES



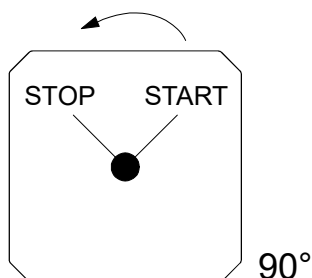
MODEL (Program No.)	DESCRIPTION	16A M.R.P. Rs.	25A M.R.P. Rs.
27364	1Pole 3 way Spring Return- OFF from 1	702	1296
27365	2Pole 3 way Spring Return- OFF from 1	1035	1692
27369	3Pole 3 way Spring Return- OFF from 1	1125	2115

SPRING RETURN SWITCHES WITHOUT OFF

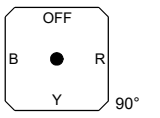
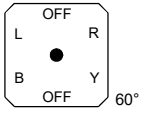
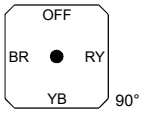
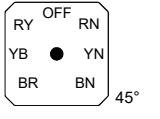
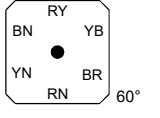
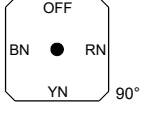
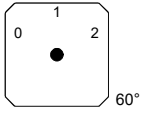
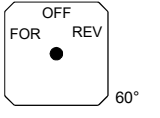
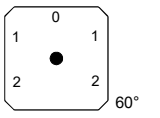
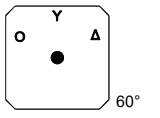
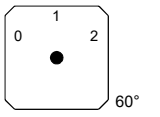


MODEL (Program No.)	DESCRIPTION	16A M.R.P. Rs.	25A M.R.P. Rs.
27371	1Pole 2 way Spring Return- from 2 to 1	702	1296
27372	2Pole 2 way Spring Return- from 2 to 1	1035	1692
27373	3Pole 2 way Spring Return- from 2 to 1	1125	2115

START STOP SPRING RETURN SWITCHES



MODEL (Program No.)	DESCRIPTION	16A M.R.P. Rs.	25A M.R.P. Rs.
27300	1Pole Start Stop Spring Return	873	1314
27388	2Pole Start Stop Spring Return	1035	1692

AMMETER SELECTOR SWITCHES									
SWITCHING POSITION	POLE	MODEL	DESCRIPTION	6 A M.R.P. Rs.	10 A M.R.P. Rs.	16 A M.R.P. Rs.			
	3	27325	To measure current in each Phase with OFF through CT	261	297	405			
	3	90721	To read current in each phases & Leakage or balance current						
VOLT METER SELECTOR SWITCHES									
SWITCHING POSITION	POLE	MODEL	DESCRIPTION	6 A M.R.P. Rs.	10 A M.R.P. Rs.	16 A M.R.P. Rs.			
	3	27312	To measure Voltage between Phases with OFF	189	270	360			
	3	27313	To measure Voltage between Phases & neutral with OFF	342	549	684			
	3	27314	To measure Voltage between Phases to Phase,neutral with OFF		540				
	3	27311	To measure Voltage between Phases to neutral with OFF	342	369				
MOTOR CONTROL SWITCHES									
Cam Operated Rotary switches suitable for switching, controlling and starting 3 phase 415 volts 50Hz squirrel cage induction motors upto 5.5 Kw for AC1, AC3 and AC4 duties conforming to IS/IEC 60947 / Pt.5/Sec1									
SWITCHING POSITION	MODEL	DESCRIPTION	16A M.R.P. Rs.	25A M.R.P. Rs.	32A M.R.P. Rs.	40A M.R.P. Rs.	63A M.R.P. Rs.	100A M.R.P. Rs.	200A M.R.P. Rs.
	27212	Double Speed Forward Switch with OFF	648	1251	1566	1971	2412	6417	7416
	27211	Forward Reverse Control Switch with OFF	441	540	639	1656	2025	5139	6354
	27217	Double Speed Forward Reverse Switch with OFF		1368		2286			
	27200	Star / Delta	585	756	954	1458	1863		
	27219	Separate Winding							

LED ILLUMINATED PUSH BUTTONS, PILOT LIGHTS SELECTOR ACTUATORS Ø22.5



















CATALOGUE CUM PRICE LIST







WITH    MARKS

Type & Description		M.R.P. Rs. Metal	M.R.P. Rs. Plastic	Type & Description		M.R.P. Rs. Metal	M.R.P. Rs. Plastic
9FA 	Flush Actuator (Yellow, Red, Blue Green, Black, White Specify colour)	99.00	67.50	9MLKA-2B/6B 	Stayput Mushroom Actuator with key (Press to lock and key to release, Key removable in actuated and unactuated positions) Red/Black	360.00	297.00
9PA 	Projecting Actuator (Yellow, Red, Blue Green, Black, White Specify colour)	99.00	67.50	9KSA6-2PB 	Lockable key selector Actuator (2 Positions, maintained contact Key removable in both positions) - Black	360.00	297.00
9BA 	Booted Actuator (Yellow, Red, Blue Green, Black Specify colour)	135.00	108.00	9KSA6-2PL 	Lockable key selector Actuator (2 Positions, maintained contact Key removable in left position) - Black	360.00	297.00
9MA 	Mushroom Actuator (Spring Return) (Yellow, Red, Blue Green, Black Specify colour)	162.00	117.00	9KSA6-2PR 	Lockable key selector Actuator (2 Positions, maintained contact Key removable in right position) - Black	360.00	297.00
9MJA 	Jumbo Mushroom Actuator (Spring Return) (Red / Black Specify colour)	171.00	153.00	9KSA6-2PLSR 	Lockable key selector Actuator (2 Positions, spring return Key removable in left position) - Black	369.00	324.00
9MLA 	Stayput Mushroom Actuator (Press to lock and turn to release with arrow marking) (Red / Black Specify colour)	216.00	180.00	9KSA6-3PB 	Lockable key selector Actuator (3 Positions, maintained contact Key removable in both left & right positions) - Black	369.00	324.00
9MLAPP 	Stayput Mushroom Actuator (Press to lock and pull to release) (Red / Black Specify colour)	216.00	180.00	9KSA6-3PA 	Lockable key selector Actuator (3 Positions, maintained contact Key removable in all the three positions) - Black	369.00	324.00
9MJLA 	Jumbo Mushroom Actuator (Press to lock and turn to release with arrow marking) (Red / Black Specify colour)	252.00	225.00	9KSA6-3PL 	Lockable key selector Actuator (3 Positions, maintained contact Key removable in left position only) - Black	369.00	324.00

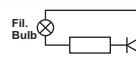

Colour code : Yellow-1, Red-2, Amber-3, Blue-4, Green-5, Black-6, White-7, Clear-8
 Contact Element Add on Screw type : JB1-1NO, JB2-1NC, JB3-2NO, JB4-2NC, JB5-2NO+2NC

Type & Description	M.R.P. Rs.	M.R.P. Rs.	Type & Description	M.R.P. Rs.	M.R.P. Rs.
	Metal	Plastic		Metal	Plastic
9KSA6-3PR  Lockable key selector Actuator (3 Positions,maintained contact Key removable in right position only) - Black	369.00	324.00	9SA6-3PSRL  Selector Actuator, 3 Positions (Center off, maintained contact on right, spring return from left to center)-Black	306.00	261.00
9KSA6-3PSR  Lockable key selector Actuator (3 Positions spring return on left & right positions.Key removable in center position only) - Black	378.00	351.00	9SA6-3PSRR  Selector Actuator, 3 Positions (Center off, maintained contact on left, spring return from right to center)-Black	306.00	261.00
9KSA6-3PSRL  Lockable key selector Actuator (3 Positions spring return from left to center.Maintained contact on right Key removable in center position only) - Black	378.00	351.00	9SEA6-2P  Selector Extended Actuator 2 Positions (Maintained contact)-Black	288.00	243.00
9KSA6-3PSRR  Lockable key selector Actuator (3 Positions spring return from right to center.Maintained contact on left Key removable in center position only) - Black	378.00	351.00	9SEA6-2PSR  Selector Extended Actuator 2 Positions (spring return from right to left)-Black	297.00	288.00
9SA6-2P  Selector Actuator, 2 Positions (Maintained contact)-Black	252.00	216.00	9SEA6-3P  Selector Extended Actuator 3 Positions (Maintained contact)-Black	306.00	261.00
9SA6-2P-SR  Selector Actuator, 2 Positions Spring return from right to left - Black	261.00	225.00	9SEA6-3PSR  Selector Extended Actuator 3 Positions (center off,both side spring return)-Black	315.00	288.00
9SA6-3P  Selector Actuator, 3 Positions (Maintained contact)-Black	297.00	252.00	9SEA6-3PSRL  Selector Extended Actuator 3 Positions (center off, maintained contact on right spring return from left to center)-Black	315.00	288.00
9SA6-3P-SR  Selector Actuator, 3 Positions (Center off-both sides spring return)-Black	306.00	261.00	9SEA6-3PSRR  Selector Extended Actuator 3 Positions (center off, maintained contact on left spring return from right to center)-Black	315.00	288.00
9LFA  Luminous Flush Actuator without series resistance with Filament Bulb suitable for operating at 110V,48V, and 24V, Yellow,Red,Amber,Blue, Green,White and Clear(Voltage and colour to be specified)	216.00	198.00	9LFAR  Luminous Flush Actuator with series resistance and with Filament Bulb suitable for 220V,110V,48V, and 24V, Yellow,Red,Amber,Blue, Green,White and Clear(Voltage and colour to be specified)	225.00	216.00
Colour code : Yellow-1,Red-2,Amber-3,Blue-4,Green-5,Black-6,White-7,Clear-8 Contact Element Add on Screw type : JB1-1NO, JB2-1NC, JB3-2NO, JB4-2NC, JB5-2NO+2NC					

Type & Description	M.R.P. Rs.	M.R.P. Rs.	Type & Description	M.R.P. Rs.	M.R.P. Rs.
	Metal	Plastic		Metal	Plastic
9LFA-L  Luminous Flush Actuator with Ultra bright LED, Yellow, Red, Amber, Green, Clear (AC or DC Voltage and colour to be specified)	288.00	243.00	9PL-L  Pilot light with Ultra bright LED, Blue and White (AC or DC Voltage and colour to be specified)	306.00	288.00
9LFA-L  Luminous Flush Actuator with Ultra bright LED, Blue and White (AC or DC Voltage and colour to be specified)	324.00	261.00	9LSA-2P  Luminous Selector Actuator, 2 Positions without series resistance with Filament Bulb suitable for operating at 110V, 48V, and 24V, Yellow, Red, Amber, Blue, Green, White and Clear (Voltage and colour to be specified)	369.00	351.00
9LPA  Luminous Projecting Actuator without series resistance with Filament Bulb suitable for operating at 110V, 48V, and 24V, Yellow, Red, Amber, Blue, Green, White and Clear (Voltage and colour to be specified)	216.00	198.00	9LSAR-2P  Luminous Selector Actuator, 2 Positions with series resistance with Filament Bulb suitable for operating at 220V, 110V, 48V, and 24V, Yellow, Red, Amber, Blue, Green, White and Clear (Voltage and colour to be specified)	378.00	360.00
9LPA-R  Luminous Projecting Actuator with series resistance and with Filament Bulb suitable for 220V, 110V, 48V, and 24V, Yellow, Red, Amber, Blue, Green, White and Clear (Voltage and colour to be specified)	225.00	216.00	9LSA-3P  Luminous Selector Actuator, 3 Positions without series resistance with Filament Bulb suitable for operating at 110V, 48V, and 24V, Yellow, Red, Amber, Blue, Green, White and Clear (Voltage and colour to be specified)	414.00	378.00
9LPA-L  Luminous Projecting Actuator with Ultra bright LED, Yellow, Red, Amber, Green, Clear (AC or DC Voltage and colour to be specified)	297.00	252.00	9LSAR-3P  Luminous Selector Actuator, 3 Positions with series resistance with Filament Bulb suitable for operating at 220V, 110V, 48V, and 24V, Yellow, Red, Amber, Blue, Green, White and Clear (Voltage and colour to be specified)	423.00	387.00
9LPA-L  Luminous Projecting Actuator with Ultra bright LED, Blue and White (AC or DC Voltage and colour to be specified)	351.00	288.00	9LSA-2PL  Luminous Selector Actuator 2 Positions with Ultra bright LED, Yellow, Red, Amber, Green, Clear (AC or DC Voltage and colour to be specified)	387.00	297.00
9PL  Pilot light without series resistance with Filament Bulb suitable for operating at 110V, 48V, and 24V, Yellow, Red, Amber, Blue, Green, White and Clear (Voltage and colour to be specified)	171.00	153.00	9LSA-2PL  Luminous Selector Actuator 2 Positions with Ultra bright LED, Blue and White (AC or DC Voltage and colour to be specified)	423.00	324.00
9PLR  Pilot light with series resistance and with Filament Bulb suitable for operating at 220V, 110V, 48V, and 24V, Yellow, Red, Amber, Blue, Green, White and Clear (Voltage and colour to be specified)	180.00	162.00	9LSA-2P-LSR  Luminous Selector Actuator 2 Positions spring return with Ultra bright LED, Yellow, Red, Amber, Green and Clear (AC or DC Voltage and colour to be specified)	414.00	306.00
9PL-L  Pilot light with Ultra bright LED, Yellow, Red, Amber, Green, Clear (AC or DC Voltage and colour to be specified)	261.00	243.00	9LSA-2P-LSR  Luminous Selector Actuator 2 Positions spring return with Ultra bright LED, Blue and White (AC or DC Voltage and colour to be specified)	423.00	324.00
Colour code : Yellow-1, Red-2, Amber-3, Blue-4, Green-5, Black-6, White-7, Clear-8 Contact Element Add on Screw type : JB1-1NO, JB2-1NC, JB3-2NO, JB4-2NC, JB5-2NO+2NC					

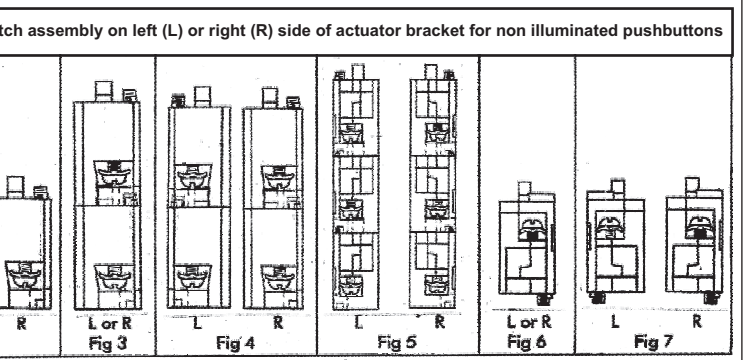
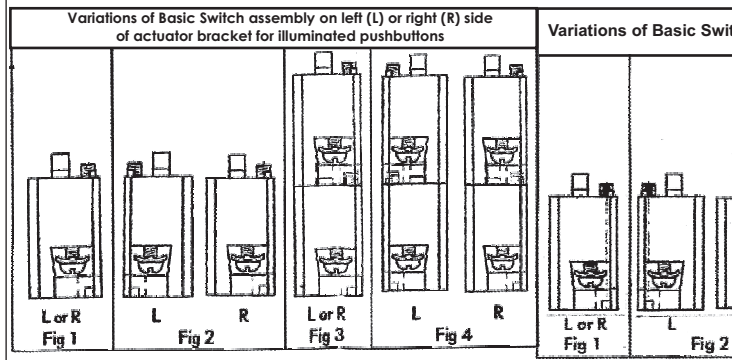
Type & Description		M.R.P. Rs. Metal	M.R.P. Rs. Plastic	Type & Description	M.R.P. Rs. Metal	M.R.P. Rs. Plastic	
9LSA-3P-L 	Luminous Selector Actuator 3Positions with Ultra bright LED, Yellow,Red,Amber,Green,Clear (AC or DC Voltage and colour to be specified)	414.00	306.00	9LTA2-5 	Luminous Twin Actuator with flush Green button marked "I" flush Red button marked "O" with Amber lens without series resistance with Filament Bulb suitable for operating at 110V,48V and 24V (Voltage to be specified)	288.00	243.00
9LSA-3P-L 	Luminous Selector Actuator 3Positions with Ultra bright LED, Blue and White (AC or DC Voltage and colour to be specified)	441.00	351.00	9LTAR2-5 	Luminous Twin Actuator with flush Green button marked "I" flush Red button marked "O" with Amber lens. with series resistance with Filament Bulb suitable for operating at 220V 110V,48V and 24V (Voltage to be specified)	306.00	288.00
9TA2-5 	Twin Actuator with flush green button marked with "I" flush red button marked with "O"	180.00	162.00	9LTA-2-5-L 	Luminous Twin Actuator with flush green button marked with "I" flush red button marked with "O" with Amber lens, with Ultra Bright LED (AC or DC Voltage to be specified)	360.00	306.00

Sr.No.	Basic Switch	Type Nos. & Combination		Assembly Ref Fig. No.	Diagram
		Act. Mounting	Ind. Mounting		
1	1 NO	JB 1		1	σσ
2	1 NO		JB 5	6	σσ
3	1 NC	JB 2		1	σσ
4	1 NC		JB 6	6	σσ
5	1 NO + 1NC	JB 1 + JB 2		2 or 3	σσ σσ
6	1 NO + 1NC		JB 5 + JB 6	7	σσ σσ
7	2 NO	JB 1 + JB 1		2 or 3	σσ σσ
8	2 NO		JB 5 + JB 5	7	σσ σσ
9	2 NC	JB 2 + JB 2		2 or 3	σσ σσ
10	2 NC		JB 6 + JB 6	7	σσ σσ
11	2 NO + 2 NC	JB 1 + JB 1 JB 2 + JB 2		4	σσ σσ σσ σσ
12	3 NO + 3 NC	JB 1 + JB 1 + JB 1 JB 2 + JB 2 + JB 2		5	σσ σσ σσ σσ σσ σσ

Ordering examples of illuminated items			
RESISTANCE + DIODE (Res)		Voltage AC/DC	
		24V	Pilot light YELLOW 9PLR1-24
		48V	Sel. Act. 2 Pos. RED 9LSAR2-2P48
		110V	Lum.act.flush GREEN 9LFAR5-110
		230V	Lum.act.flush AMBER 9LFAR3-230
DIRECT (No Res)		Item examples & type no	
		24V	Pilot light GREEN 9PL5-24
		48V	Sel. Act. 2 Pos. RED 9LSA2-2P48
		110V	Lum.act.flush AMBER 9LFA3-110
LED	To order illuminated actuators or pilot lights with LED, Please add/suffix L to above type nos with resistance and supply voltage AC/DC. Eg. 9LFA5-L24DC OR 9PL2-L-230AC.		

Sr.No.	Function	Key Removable			Type Nos. Key / Selector
		Left	Center	Right	
1	Stayput	x		x	9KSA6-2PB
2	Stayput	x			9KSA6-2PL
3	Stayput			x	9KSA6-2PR
4	Spring return	x			9KSA6-2PLSR
5	Stayput	x		x	9KSA6-3PB
6	Stayput	x	x	x	9KSA6-3PA
7	Stayput		x		9KSA6-3P
8	Spring return		x		9KSA6-3PSR
9	Spring return		x		9KSA6-3PSRL
10	Spring return		x		9KSA6-3PSRR
					Selector Selector Extd
11	Stayput				9SA6-2P 9SEA6-2P
12	Spring return				9SA6-2PSR 9SEA6-2PSR
13	Stayput				9SA6-3P 9SEA6-3P
14	Spring return				9SA6-3PSR 9SEA6-3PSR
15	Spring return				9SA6-3PSRL 9SEA6-3PSRL
16	Spring return				9SA6-3PSRR 9SEA6-3PSRR

TECHNICAL SPECIFICATIONS:	
Approvals	: Bureau of Indian Standards, CSA International, Canada / US
Standards Conformity	: IS/IEC 60947 (part 5/ Sec.I)
Degree of Protection	: IP 65
Rated Insulation voltage	: 600v
Rated thermal current	: 10A
Contact operation	: Self wiping, slow break NO or NC
Make and break capacity	: AC 15, 5A, 240 VAC DC 13, 1.1A, 250 VDC
As per IEC 947-5-(1) 2000	: 1-2 for NC, 3-4 for NO
Terminal marking	: Maximum 2 x 1.5mm ² or 1 x 2.5 mm ²
Terminal capacity	: Minimum 1 x 0.5mm ²
Short Circuit Protection	: 10 A cartridge fuse HRC type, rated for resistive loading
Operating Temperature	: -25°C + 70°C
Altitude	: <3000 m
Mechanical Life	: Over 1 million operations.



The above are some mounting arrangements for a maximum number of four basic switch for illuminated pushbuttons. The above are some mounting arrangements for a maximum of six basic switches for non - illuminated pushbuttons

TYPES OF LED ILLUMINATED PILOT LIGHTS • PUSH BUTTONS • SELECTOR SWITCHES Ø22.5mm

DESCRIPTION		TYPE OF ACTUATOR OR LENSE ASSEMBLY	COLOUR OF ACTUATOR OR LENSE	BASIC SWITCHES NO=JB1, NC=JB2 OR LAMP HOLER	TYPE OF COMPLETE PUSH BUTTON
FLUSH PUSHBUTTON		9FA5 9FA2	GREEN RED	1NO 2NO+1NC	9PBF5-10 9PBF2-21
PROJECTING PUSHBUTTON		9PA6 9PA2	BLACK RED	2NC 3NO+3NC	9PBP6-02 9PBP2-33
BOOTED PUSHBUTTON		9BA2 9BA5	RED GREEN	2NO 2NC	9PBB2-20 9PBB5-02
MUSHROOM PUSHBUTTON SPRING RETURN		9MA6 9MA2	BLACK RED	1NO+1NC 1NC	9PBM6-11 9PBM2-01
MUSHROOM PUSHBUTTON LATCHING, TURN TO RELEASE		9MLA6 9MLA2	BLACK RED	1NC 2NO+2NC	9PBML6-01 9PBML2-22
MUSHROOM PUSHBUTTON LATCHING, KEY TO RELEASE		9MLKA2	RED	1NO+1NC	9PBMLK2-11
SELECTOR ACTUATOR(2 POS) SELECTOR ACTUATOR(3 POS)		9SA6-2P 9SA6-3P	BLACK BLACK	1NO 1NO+1NC	9PBS6-10-2P 9PBS6-11-3P
KEY SELECTOR ACTUATOR (2POS), KEY WITHDRAWABLE IN BOTH POSITIONS KEY ACTUATOR (3POS) KEY WITHDRAWABLE IN LEFT AND RIGHT POSITION		9KSA6-2P 9KSA6-3P	BLACK BLACK	1NO 1NO+1NC	9PBKS6-10-2P 9PBKS6-11-3P
SELECTOR LUMINOUS PUSHBUTTON, 2 POSITION WITH RESISTANCE AND DIODE (230V) SELECTOR LUMINOUS PUSHBUTTON, 3 POSITION WITH RESISTANCE AND DIODE (24V)		9LSAR5-2P230 9LSAR2-3P24	GREEN RED	1NO+1NC+ 9LHR230 1NO+1NC+ 9LHR24	9PBLSR5-11-2P-230 9PBLSR2-11-3P-24
PILOT LIGHT FOR DIRECT CONNECTION		9PL5 9PL2	GREEN RED	9LHB130 9LHB130	9PBPL5-130 9PBPL2-130
PILOT LIGHT THROUGH RESISTOR AND DIODE FOR 230V. BULB:130V		9PLR 3 9PLR 4	AMBER BLUE	9LHR230 9LHR230	9PBPLR3-230 9PBPLR4-230
LUMINOUS PROJ. PUSHBUTTON DIRECT CONNECTION FOR 24V LUMINOUS PROJ. PUSHBUTTON PUSH-PUSH TYPE DIRECT CONNECTION(130V)		9LPA5 9LPPA2-130	GREEN PROJ-RED	1NO+1NC+ 9LHB24 1NO+1NC+ 9LHB130	9PBP5-11-24 9PBLPP2-11-130
LUMINOUS FLUSH PUSHBUTTON THROUGH RESISTOR AND DIODE FOR 230V BULB:130V		9LFR2-230	RED	1NO+1NC+	9PBLFR2-11-230
NON-ILLUMINATED TWIN PUSHBUTTON ACTUATOR MARKED "1- O"		9TA2-5	FLUSH GREEN	1NO + 1NC	9PBT2-5-11
TWIN PUSHBUTTON NOT MARKED FLUSH PROJECTING		9TA5-2	FLUSH GREEN	1NO 1NC	9PBT5-2-11
LUMINOUS TWIN PUSHBUTTON MARKED "1 O" FLUSH FLUSH		9LTA5F2 F2 IO 130	LENSE-AMBER FLUSH-GREEN FLUSH-RED	9LHB130 1NO+1NC	9PBLT2-5-11-130
LUMINOUS TWIN PUSHBUTTON NOT MARKED FLUSH PROJECTING WITH RESISTANCE AND DIODE (230V)		9LTAR3-F5 -P2-230	LENSE-AMBER FLUSH-GREEN PROJ-RED	9LHBR230 1NO 1NC	9PBLTR3-F5-10-FP2-01- 230

ACCESSORIES AND SPARES

Contact Element



Type	Contacts	Normal
JB 1	1 NO	67.50
JB 2	1 NC	67.50

Adapter for assembly of 22.5mm dia control gear in 30.5mm dia cutout **9AA MRP Rs.40.50**

9ALP
MRP Rs. 40.50



LEGEND PLATES

Legend Plates 30 X 40 mm are supplied with the following standard texts:
 START FORWARD UP OPEN AUTO SLOW RESET
 STOP REVERSE DOWN CLOSE HAND FAST INCH
 Legend plate Ø 60 mm yellow with black characters for EMERGENCY STOP

BULBS

Filament Bulbs type JLBC27S

Voltage :	6	12	24	30	48	60	130
Watts :	1	2	2	2	2	2	2.6

JLBC27S
MRP Rs. 40.50



LENSES

9PLL / 9LAL MRP Rs. 40.50

Colour of Lense:	YELLOW	RED	AMBER	BLUE	GREEN	TRANSLUCENT	CLEAR
For Pilot Lights	9PLL1	9PLL2	9PLL3	9PLL4	9PLL5	9PLL7	9PLL8
For Luminous Actuators (Flush / projecting)	9LAL1	9LAL2	9LAL3	9LAL4	9LAL5	9LAL7	9LAL8
For Twin Luminous Actuators	9LTAL1	9LTAL2	9LTAL3	9LTAL4	9LTAL5	9LTAL7	9LTAL8



9TAL MRP Rs. 31.50

BULB EXTRACTOR

Type No : 9JLBC27SE



BLANKING PLUG FOR Ø 22.5mm HOLE, BLACK

Type No : 9BP6

9BP6
MRP Rs. 40.50



RUBBER BOOTS FOR BOOTED ACTUATORS

Colour of Boot :	YELLOW	RED	BLUE	GREEN	BLACK
Type No :	9RB1	9RB2	9RB4	9RB5	9RB6

9RB
MRP Rs. 40.50



PADLOCK

Padlock for mushroom actuator
 Padlock for projecting actuator

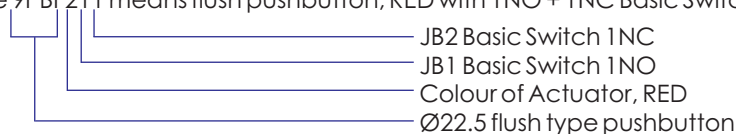


ORDERING INSTRUCTIONS

Actuators, Illuminated Actuators, Basic Switches, Lense Assemblies and Pilot Lights can all be ordered separately or in combination. Code No. of Illuminated Actuators and Non-illuminated Actuators colours are given in colour chart.

Type of Basic Switches : NO : Actuator mounting : JB1, Individual mounting : JB5.
 NC : Actuator mounting : JB2, Individual mounting : JB6.

Example of Push Button : Type 9PBF211 means flush pushbutton, RED with 1NO + 1NC Basic Switches,



Manufactured by :

JAIBALAJI
CONTROL GEARS PVT. LTD

Plot No. 89 (New No. 107), P.B. No. 27, Sidco Industrial Estate, Ambattur, Chennai - 600 098. India.

Phone : 2625 1279 / 2625 7859 Fax : 044-2625 5038.

E-mail : dchandramohan@jaibalaji.firm.in Website : www.jaibalaji.firm.in

PUSH BUTTON STATION BOXES CATALOGUE CUM PRICE LIST

<p>Model : JEPBBS - PG</p> <p style="text-align: right;">Cable entry (2 Places)</p>	<p>M.R.P.</p> <p>Box Only Rs.333</p> <p>Box with 9MLA2 +JB1+JB2 Rs.711</p>	<p>Model : JEPBBS - ES</p> <p style="text-align: right;">Cable entry (4 Places)</p>	<p>M.R.P.</p> <p>Box Only Rs.360</p> <p>Box with 9MLA2 +JB1+JB2 Rs.711</p>
<p>Model : JEPBBS - 1W</p> <p style="text-align: right;">Cable entry (4 Places)</p>	<p>Box Only Rs.324</p> <p>Box with 9FA +JB1+JB2 Rs.531</p>	<p>Model : JEPBBS - 3W</p> <p style="text-align: right;">Cable entry (2 Places)</p>	<p>Box Only Rs.549</p> <p>Box with 9FA (3Nos) +3JB1 +3JB2 Rs.1134</p>
<p>Model : JEPBBS - 2W</p> <p style="text-align: right;">Cable entry (4 Places)</p>	<p>Box Only Rs.414</p> <p>Box with 9FA (2Nos) +2JB1 +2JB2 Rs.837</p> <p>Box with Actuator &Element</p>	<p>Model : JEPBBS - 4W</p> <p style="text-align: right;">Cable entry (4 Places)</p>	<p>Box Only Rs.576</p> <p>Box with 9MLKA2 +9FA (3) +4JB1 +4JB2 Rs.1683</p> <p>Box with Actuator &Element</p>
<p>Model : JEPBBS - 5W (Five way)</p> <p style="text-align: right;">Rs.711</p>	<p>Rs.1782</p>	<p>Model : JEPBBS - 8W (Eight way)</p> <p style="text-align: right;">Rs.873</p>	<p>Rs.2673</p>
<p>Model : JEPBBS - 6W (Six way)</p> <p style="text-align: right;">Rs.837</p>	<p>Rs.2124</p>		

PLASTIC PENDENT PUSH BUTTON STATION BOXES CATALOGUE CUM PRICE LIST

Price without
Actuator & Contact
element



Model		M.R.P. Rs.
JPPPBS 2W	Two Way	1620
JPPPBS 3W	Three Way	2556
JPPPBS 4W	Four Way	2610
JPPPBS 5W	Five Way	3438
JPPPBS 6W	Six Way	3789
JPPPBS 8W	Eight Way	4230
JPPPBS 9W	Nine Way	4473
JPPPBS 10W	Ten Way	5589
JPPPBS 11W	Eleven Way	6021
JPPPBS 12W	Twelve Way	6336
JPPPBS 13W	Thirteen Way	6714
JPPPBS 14W	Fourteen Way	7083



ALUMINIUM PUSH BUTTON STATION BOXES
ALUMINIUM PENDENT PUSH BUTTON STATION BOXES
CATALOGUE CUM PRICE LIST

ALUMINIUM PUSH BUTTON STATION BOXES



PRICE WITH PLASTIC ACTUATOR & CONTACT ELEMENTS(NO & NC)

Model		M.R.P. Rs.
JAPBS 1W	One Way	909
JAPBS 1W D	Double Element	1332
JAPBSK 1W	One way Kanopi	900
JAPBS 2W	Two Way	1278
JAPBS 2W D	Double Element	1683
JAPBSK 2W	Two way Kanopi	1593
JAPBS 3W	Three Way	1512
JAPBS 3W D	Double Element	2169
JAPBSK 3W	Three way Kanopi	1647
JAPBS 4W	Four Way	1854
JAPBS 6W	Six Way	2592
JAPBS 8W	Eight Way	3411
JAPBS 10W	Ten Way	4059
JAPBS 12W	Twelve Way	4815
JAPBS 14W	Fourteen Way	5634

ALUMINIUM PENDENT PUSH BUTTON STATION BOXES



PRICE WITH PLASTIC ACTUATOR & CONTACT ELEMENTS(NO & NC)

Model		M.R.P. Rs.
JAPPBS 1W	One Way	981
JAPPBS 2W	Two Way	1341
JAPPBS 3W	Three Way	1557
JAPPBS 4W	Four Way	1917
JAPPBS 5W	Five Way	2214
JAPPBS 6W	Six Way	2655
JAPPBS 7W	Seven Way	3060
JAPPBS 8W	Eight Way	3474
JAPPBS 9W	Nine Way	3717
JAPPBS 10W	Ten Way	4239
JAPPBS 12W	Twelve Way	5148
JAPPBS 14W	Fourteen Way	5840
JAPPBS 16W	Sixteen Way	6984
JAPPBS 18W	Eighteen Way	7614
JAPPBS 20W	Twenty Way	8811
JAPPBS 22W	Twenty Two Way	9414



Post Box No. 27, 89 (New No. 107),SIDCO Industrial Estate,Ambattur, Chennai -600 098. India
 Phone: +91 44 26251279 / 26257859 / 26254470 Fax: +91 44 26255038.
 E-mail: dchandramohan@jaibalaji.firm.in Web: jaibalaji.in

ALUMINIUM PUSH BUTTON STATION BOXES ALUMINIUM PENDENT PUSH BUTTON STATION BOXES CATALOGUE CUM PRICE LIST

Price without
Actuator & Contact
element

ALUMINIUM PUSH BUTTON STATION BOXES



Model		M.R.P. Rs.
JAPBS 1W	One Way	432
JAPBS 1W D	Double Element	648
JAPBSK 1W	One way Kanopi	531
JAPBS 2W	Two Way	648
JAPBS 2W D	Double Element	738
JAPBSK 2W	Two way Kanopi	675
JAPBS 3W	Three Way	675
JAPBS 3W D	Double Element	783
JAPBSK 3W	Three way Kanopi	810
JAPBS 4W	Four Way	783
JAPBS 6W	Six Way	909
JAPBS 8W	Eight Way	1080
JAPBS 10W	Ten Way	1260
JAPBS 12W	Twelve Way	1719
JAPBS 14W	Fourteen Way	1863

ALUMINIUM PENDENT PUSH BUTTON STATION BOXES



Model		M.R.P. Rs.
JAPPBS 1W	One Way	486
JAPPBS 2W	Two Way	702
JAPPBS 3W	Three Way	729
JAPPBS 4W	Four Way	837
JAPPBS 5W	Five Way	855
JAPPBS 6W	Six Way	981
JAPPBS 7W	Seven Way	1116
JAPPBS 8W	Eight Way	1260
JAPPBS 9W	Nine Way	1395
JAPPBS 10W	Ten Way	1620
JAPPBS 12W	Twelve Way	1962
JAPPBS 14W	Fourteen Way	2187
JAPPBS 16W	Sixteen Way	2790
JAPPBS 18W	Eighteen Way	2898
JAPPBS 20W	Twenty Way	3177
JAPPBS 22W	Twenty two Way	3663



ISO 9001:2015 Certified

RECOGNITION OF *Quality Plus*

Engineering Plastic **JUNCTION BOXES** and **DISTRIBUTION BOXES** (Made of ABS / Polycarbonate)

CATALOGUE CUM PRICE LIST



JEPJB 200



JEPJB 200



JEPJB 200



JEPJB 200



AC Box



JEPJB 200



JEPJB 200



JEPJB 200



JEPJB 200

JEPJB 200



JEPJB 200



JEPJB 200



JEPJB 200



JEPJB 200



JEPJB 140



JEPJB 140



JEPJB 140



JEPJB 140



JEPJB 140



JEPJB 96



JEPJB 96



JEPJB 86





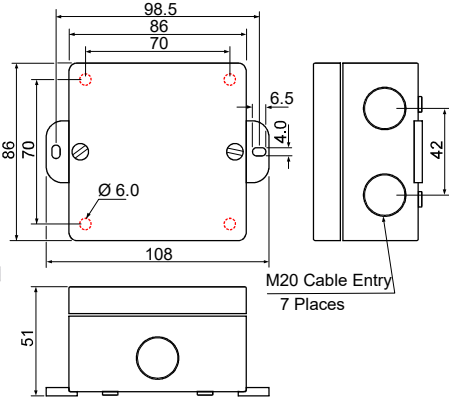
ENGINEERING PLASTIC JUNCTION BOXES

(Made of ABS / Polycarbonate)

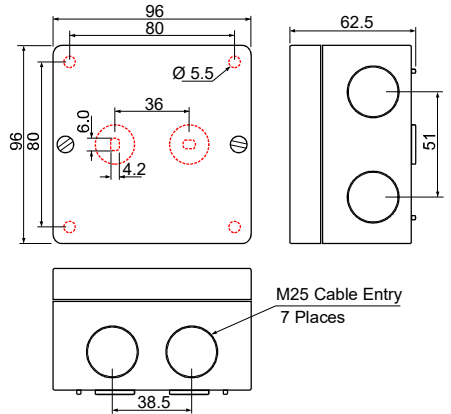
CATALOGUE CUM PRICE LIST

50% Extra
For Polycarbonate

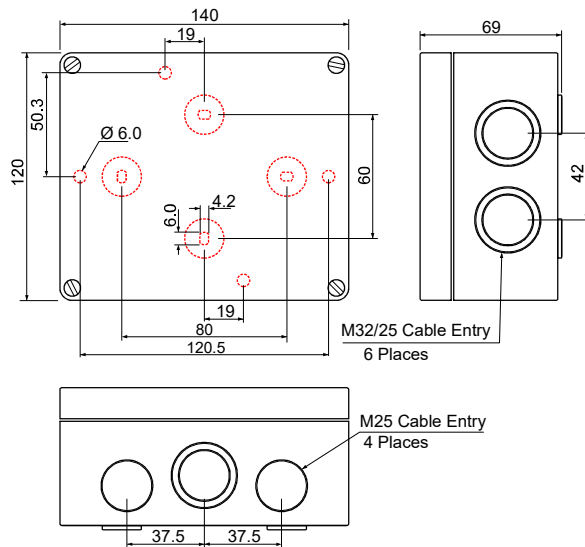
JEPJB 86
M.R.P. Rs.333



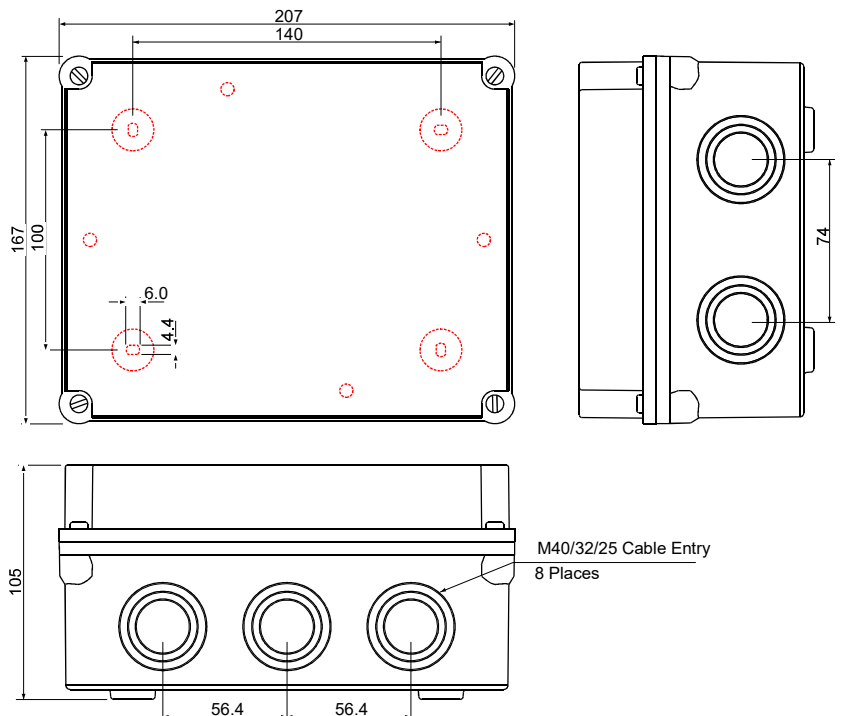
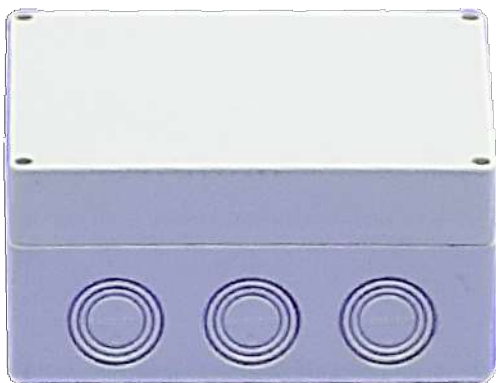
JEPJB 96
M.R.P. Rs.477



JEPJB 140
M.R.P. Rs.639

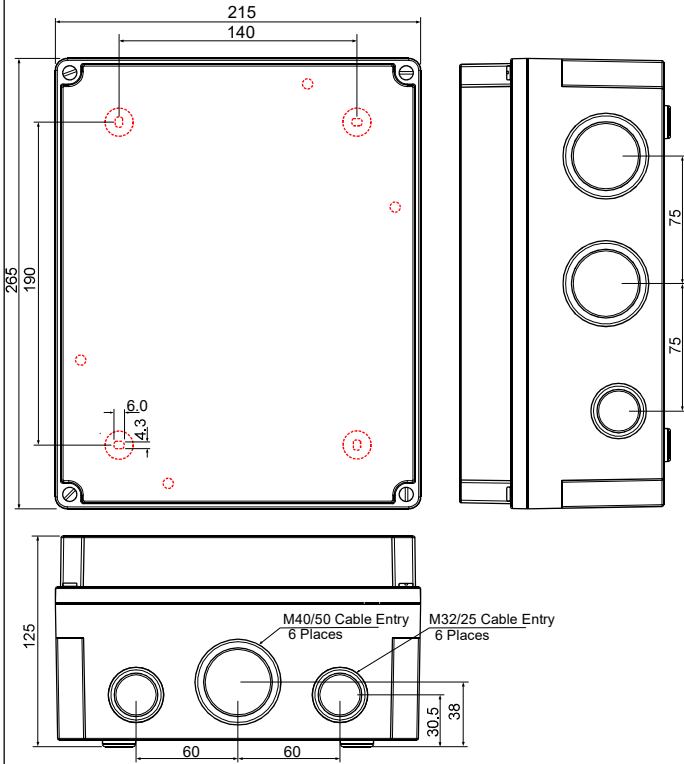


JEPJB 200
M.R.P. Rs.1125



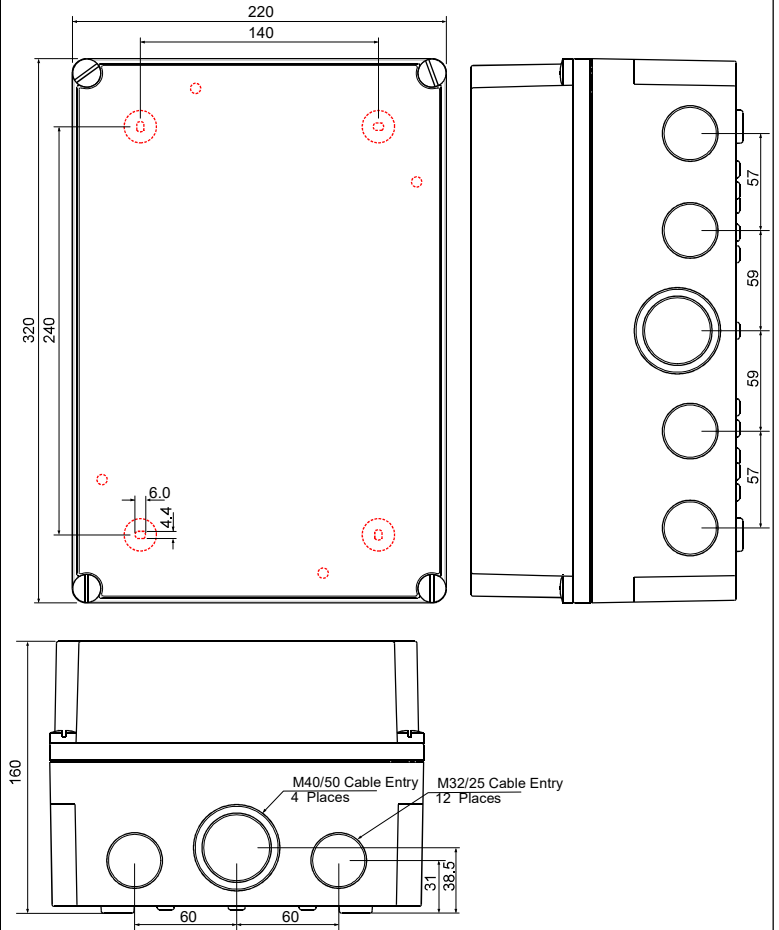
JEPJB 265

M.R.P. Rs.2133



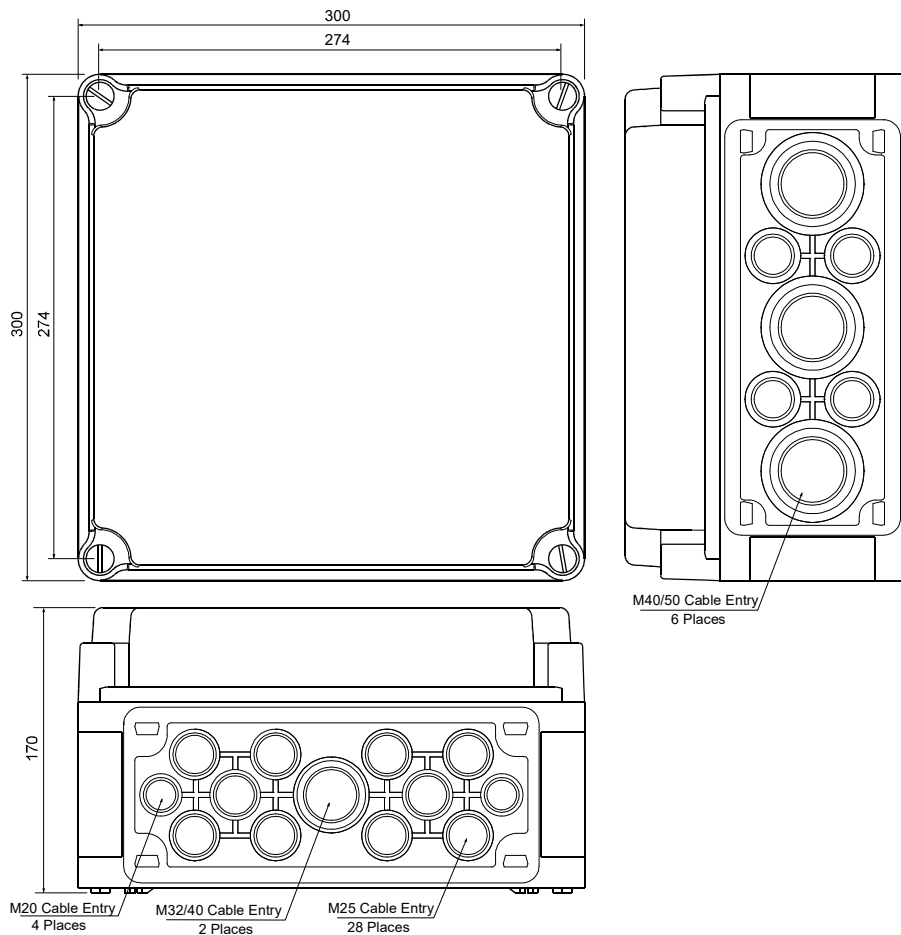
JEPJB 320

M.R.P. Rs.3870

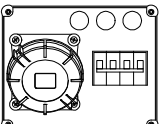
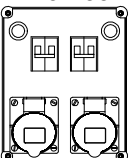
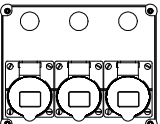
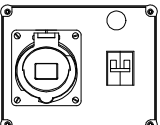
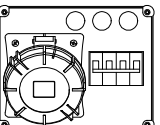
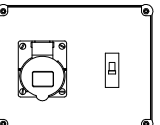
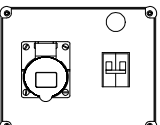
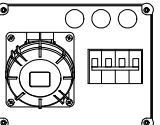
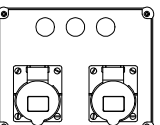
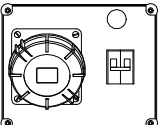
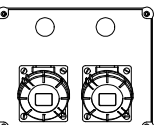
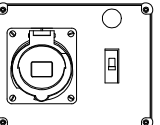
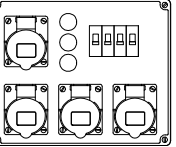
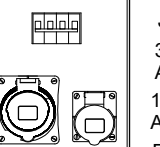
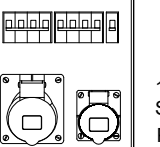
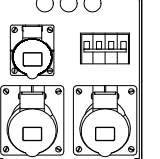
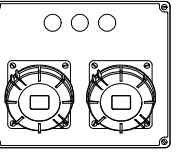
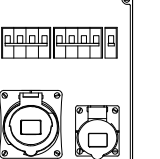
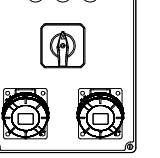
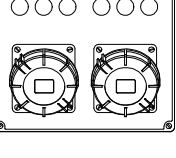
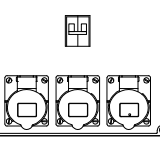
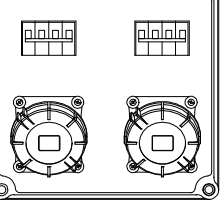
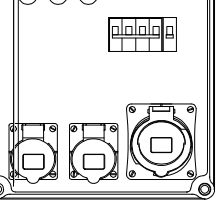
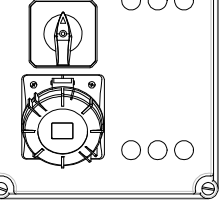
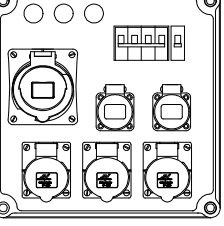
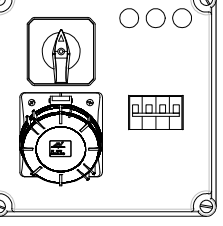
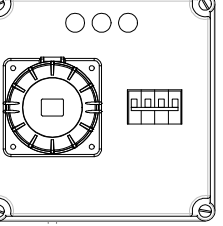


JEPJB 300

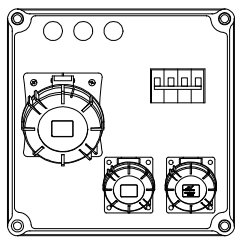
M.R.P. Rs.3681



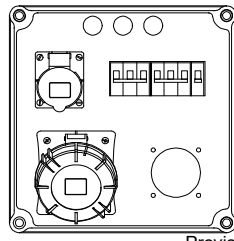
Some Combinations of Distribution Boxes

<p>DB216-35 MI Drawing No. AS052 JEPJB200 - BOX 32 Amps 3Pin+Earth+Neutral Angled Socket IP-67 &Indicator Provision for 4 Pole MCB</p> 	<p>DB216-133 MI Drawing No. AS047 JEPJB200 - BOX 16 Amps 2Pin+Earth Angled Socket IP-44 &Indicator Provision for 2x2 Pole MCB</p> 	<p>DB216-1333 I Drawing No. AS054 JEPJB200 - BOX 16 Amps 2Pin+Earth Angled Socket IP-44 (3 Nos) &Indicator</p> 
<p>DB216-33 MI Drawing No. AS059 JEPJB200 - BOX 32 Amps 2Pin+Earth Angled Socket IP-44 &Indicator Provision for 2 Pole MCB</p> 	<p>DB216-65 MI Drawing No. AS065 JEPJB200 - BOX 63 Amps 3Pin+Earth+Neutral Angled Socket IP-67 &Indicator Provision for 4 Pole MCB</p> 	<p>DB216-13 M Drawing No. AS133 JEPJB200 - BOX 16 Amps 2Pin+Earth Angled Socket IP-44 &Indicator Provision for 1 Pole MCB</p> 
<p>DB216-13 MI Drawing No. AS060 JEPJB200 - BOX 16 Amps 2Pin+Earth Angled Socket IP-44 &Indicator Provision for 2 Pole MCB</p> 	<p>DB216-15 MI Drawing No. AS098 JEPJB200 - BOX 16 Amps 3Pin+Earth+Neutral Angled Socket IP-67 &Indicator Provision for 4 Pole MCB</p> 	<p>DB216-133 I Drawing No. AS142 JEPJB200 - BOX 16 Amps 2Pin+Earth Angled Socket IP-44 (2Nos) &Indicator</p> 
<p>DB216-33 MI Drawing No. AS061 JEPJB200 - BOX 32 Amps 2Pin+Earth Angled Socket IP-67 &Indicator Provision for 2 Pole MCB</p> 	<p>DB216-133 I Drawing No. AS112 JEPJB200 - BOX 16 Amps 2Pin+Earth Angled Socket IP-67 (2 Nos) &Indicator</p> 	<p>DB216-33 MI Drawing No. AS149 JEPJB200 - BOX 32 Amps 2Pin+Earth Angled Socket IP-44 &Indicator Provision for 1 Pole MCB</p> 
<p>Drawing No. AS051 JEPJB265 - BOX 16 Amps 2Pin+Earth Angled Socket IP-44(4 Nos) &Indicator Provision for 4x1 Pole MCB</p> 	<p>Drawing No. AS113 JEPJB265 - BOX 32 Amps 3Pin+Earth+Neutral Angled Socket IP-44 16 Amps 2Pin+Earth Angled Socket IP-44 Provision for 4 Pole MCB</p> 	<p>Drawing No. AS131 JEPJB265 - BOX 16 Amps 3Pin+Earth+Neutral Angled Socket IP-44 16 Amps 2Pin+Earth Angled Socket IP-44 Provision for 4+4+1 Pole MCB</p> 
<p>Drawing No. AS067 JEPJB265 - BOX 16 Amps 3Pin+Earth+Neutral Angled Socket IP-44(2 Nos) 16 Amps 2Pin+Earth Angled Socket IP-44 &Indicator Provision for 4 Pole MCB</p> 	<p>Drawing No. AS115 JEPJB265 - BOX 32 Amps 3Pin+Earth Angled Socket IP-67(2Nos) Indicator</p> 	<p>Drawing No. AS132 JEPJB265 - BOX 32 Amps 3Pin+Earth+Neutral Angled Socket IP-44 Provision for 4+4+1 Pole MCB</p> 
<p>Drawing No. AS106 JEPJB265 - BOX 16 Amps 2Pin+Earth Angled Socket IP-67(2 Nos) &Indicator Rotary switch 32A P No.27197</p> 	<p>Drawing No. AS116 JEPJB265 - BOX 32 Amps 3Pin+Earth Angled Socket IP-44(2Nos) Indicator</p> 	<p>Drawing No. AS135 JEPJB265 - BOX 16 Amps 2Pin+Earth Angled Socket IP-44(3 Nos.) Provision for 2 Pole MCB</p> 
<p>Drawing No. AS019 JEPJB300 - BOX 32 Amps 3Pin+Earth +Neutral Angled Socket IP-67 (2 Nos) Provision for 4+4 Pole MCB</p> 	<p>Drawing No. AS049 JEPJB300 - BOX 32 Amps 3Pin+Earth +Neutral Angled Socket IP-44 16 Amps 2Pin+Earth Angled Socket IP-44 (2 Nos.) &Indicator Provision for 4+1 Pole MCB</p> 	<p>Drawing No. AS063 INTERLOCK BOX JEPJB300 - BOX 63 Amps 3Pin+Earth +Neutral Angled Socket IP-67 63 Amps Rotary Switch Program No.27004 LED Indicator 6</p> 
<p>Drawing No. AS048 32 Amps 3Pin+Earth +Neutral Angled Socket IP-44 16 Amps 2Pin+Earth Angled Socket IP-44 (3 Nos.) 16 Amps 2Pin Straight Socket IP-44 (2 Nos.) &Indicator Provision for 4+1 Pole MCB</p> 	<p>Drawing No. AS057 INTERLOCK BOX JEPJB300 - BOX 63 Amps 3Pin+Earth +Neutral Angled Socket IP-67 63 Amps Rotary Switch Program No.27004 LED Indicator 3 Provision for 4 Pole MCB</p> 	<p>Drawing No. AS090 JEPJB300 - BOX 125 Amps 3Pin+Earth +Neutral Straight Socket IP-67 & Indicator Provision for 4 Pole MCB</p> 

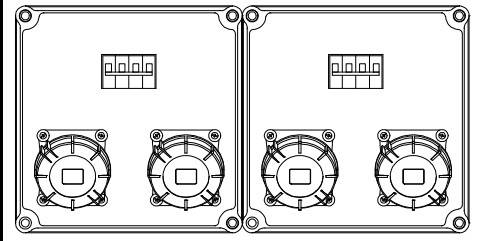
Some Combinations of Junction Box With Sockets



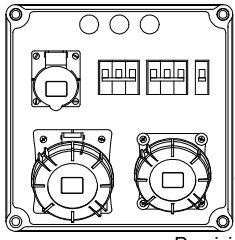
Drawing No. AS104
JEPJB300 - BOX
63 Amps 3Pin+Earth+Neutral Angular Socket IP-67
16 Amps 2Pin+Earth Angled Socket IP-67 & Indicator
Provision for 4 Pole MCB



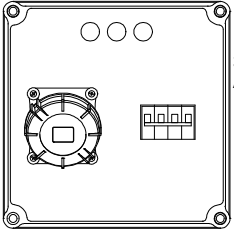
Drawing No. AS137
JEPJB300 - BOX
63 Amps 3Pin+Earth+Neutral Angular Socket IP-67
16 Amps 2Pin+Earth Angled Socket IP-67 & Indicator
Provision for 32 Amps 3Pin+Earth+Neutral Straight Socket IP-44
Provision for 3+3+1 Pole MCB



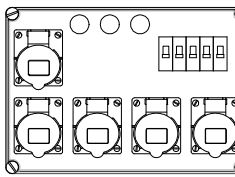
Drawing No. AS094
JEPJB300 - BOX - 2 Nos.
32 Amps 3Pin+Earth+Neutral Angled Socket IP-67 (4 Nos)
Provision for 4 Pole MCB



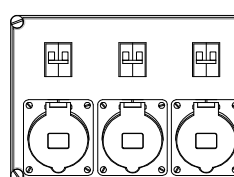
Drawing No. AS121
JEPJB300 - BOX
63 Amps 3Pin+Earth+Neutral Angular Socket IP-67
32 Amps 3Pin+Earth+Neutral Angular Socket IP-67
16 Amps 2Pin+Earth Angled Socket IP-44 & Indicator
Provision for 3+3+1 Pole MCB



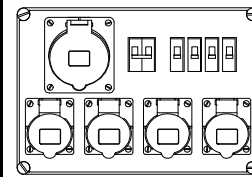
Drawing No. AS157
JEPJB300 - BOX
32 Amps 3Pin+Earth+Neutral Angular Socket IP-67 & Indicator
Provision for 4 Pole MCB



Drawing No. AS050
JEPJB320 - BOX
16 Amps 2Pin+Earth Angled Socket IP-44 (5 Nos.) & Indicator
Provision for 5 single Pole MCB

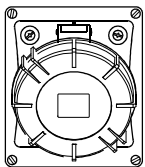


Drawing No. AS097
JEPJB320 - BOX
32 Amps 2Pin+Earth Angled Socket IP-44 (3 Nos.)
Provision for 3 Two Pole MCB



Drawing No. AS082
JEPJB320 - BOX
32 Amps 2Pin+Earth Angled Socket IP-44
16 Amps 2Pin+Earth Angled Socket IP-44 (4 Nos.)
Provision for 2+1+1+1+1 Pole MCB

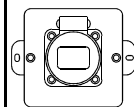
JEPJB140 - BOX



J635BMAS IP- 44
63 Amps 3Pin+Earth+Neutral Angled Socket (IP-44)
M.R.P. Rs.5283

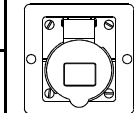
J635BMAS IP- 67
63 Amps 3Pin+Earth+Neutral Angled Socket (IP-67)
M.R.P. Rs.5571

JEPJB86 - BOX



J162BMSS IP- 44
16 Amps 2Pin Straight Socket
M.R.P. Rs.855

JEPJB96 - BOX

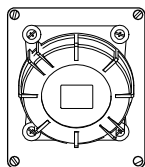


J203BMSS IP- 44
16 Amps 2Pin+Earth Straight Socket
M.R.P. Rs.1296

J203BMAS IP- 44
16 Amps 2Pin+Earth Angled Socket
M.R.P. Rs.1269

J203BMAS IP- 67
16 Amps 2Pin+Earth Angled Socket
M.R.P. Rs.1377

JEPJB140 - BOX



J323BMAS IP- 44
32 Amps 2Pin+Earth Angled Socket
M.R.P. Rs.1989

J323BMAS IP- 67
32 Amps 2Pin+Earth Angled Socket
M.R.P. Rs.2115

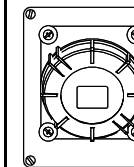
J324BMAS IP- 44
32 Amps 3Pin+Earth Angled Socket
M.R.P. Rs.2097

J324BMAS IP- 67
32 Amps 3Pin+Earth Angled Socket
M.R.P. Rs.2223

J325BMAS IP- 44
32 Amps 3Pin+Earth+Neutral Angled Socket M.R.P. Rs.2160

J325BMAS IP- 67
32 Amps 3Pin+Earth+Neutral Angled Socket M.R.P. Rs.2268

JEPJB140 - BOX

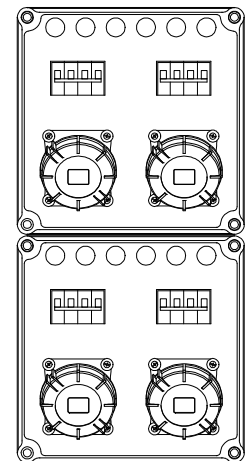


J205BMSS IP- 44
16 Amps 3Pin+Earth+Neutral Straight Socket M.R.P. Rs.1908

J205BMSS IP- 67
16 Amps 3Pin+Earth+Neutral Straight Socket M.R.P. Rs.2025

J205BMAS IP- 44
16 Amps 3Pin+Earth+Neutral Angled Socket M.R.P. Rs.1881

J205BMAS IP- 67
16 Amps 3Pin+Earth+Neutral Angled Socket M.R.P. Rs.2043



Drawing No. AS044
JEPJB300 - BOX - 2Nos
32 Amps 3Pin+Earth+Neutral Angular Socket IP-67(4 Nos) & Indicator
Provision for 4x4 Pole MCB


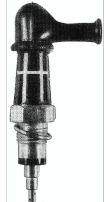

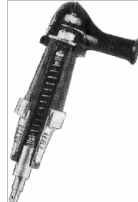
Boxes will be Supplied without MCB and Any Other Combinations of Junction Box & Sockets available on request

JAIBALAJI
CONTROL GEARS PVT. LTD

Post Box No. 27, 89 (New No. 107),SIDCO Industrial Estate,
Ambattur, Chennai -600 098. India
Phone: +91 44 26251279 / 26257859 / 26254470 Fax: +91 44 26255038.
E-mail: dchandramohan@jaibalaji.firm.in Web: jaibalaji.in



TELESCOPIC BRUSHES AND BRUSH INSERTS

Sl.No.	CODE NO. FOR BRUSHES	M.R.P. EACH Rs.	Sl.No	SPARES FOR BRUSH PLUG INSERTS	M.R.P. EACH Rs.
1.	SK4	576	21.	SK-4E	396
2.	TSK 6/16	594	22.	TSK 6/16E	405
3.	TSN 6/16	675	23.	TSN 6/16E	468
4.	TSL 6/16 × 30	693	24.	TSL 6/16 ×30E	522
5.	TSL 6/16 × 40	756	25.	TSL 6/16 ×40E	594
6.	TSL 6/16 × 50	792	26.	TSL 6/16 ×50E	639
7.	TSL 6/16 × 60	846	27.	TSL 6/16 ×60E	693
8.	TSL 6/16 × 70	882	28.	TSL 6/16 ×70E	738
9.	TSL 6/16 × 80	936	29.	TSL 6/16 ×80E	801
10.	TSL 6/16 × 90	972	30.	TSL 6/16 ×90E	846
11.	TSL 6/16 × 100	999	31.	TSL 6/16 ×100E	891
12.	TSN 8	693	32.	TSN 8E	504
13.	TSL 8 × 30	828	33.	TSL 8 × 30E	576
14.	TSL 8 × 40	855	34.	TSL 8 × 40E	630
15.	TSL 8 × 50	891	35.	TSL 8 × 50E	675
16.	TSL 8 × 60	936	36.	TSL 8 × 60E	711
17.	TSL 8 × 70	972	37.	TSL 8 × 70E	774
18.	TSL 8 × 80	999	38.	TSL 8 × 80E	846
19.	TSL 8 × 90	1008	39.	TSL 8 × 90E	891
20.	TSL 8 × 100	1035	40.	TSL 8 × 100E	936
   			41.	TSK Holder	324
			42.	SK 4 Holder	279
			43.	TSN 6/16 Holder	324
			44.	TSN 8 Holder	333

CONTACT DETAILS

LAND LINE PHONE NOS.:	044-26251279 044-26257859 044-26254469 044-26254470 044-26257174 044-26255038	E.Mail Id : dchandramohan@jaibalaji.firm.in sales@jaibalaji.in cj@jaibalaji.in av@jaibalaji.in vs@jaibalaji.in
FAX NO.:		
SUPPORT (TECHNICAL & COMMERCIAL) Mr. P. RAMASAMY	MOBILE : 9382862649	WEBSITE : www.jaibalaji.firm.in
SALES Mr. S. ARUNKUMAR Mr. A. VENKATESH	EXTN : 112 EXTN : 123	MOBILE : 9382785527
DESPATCH Mr. K. SREERAM Mr. N. KRISHNAMOORTHY Mr. M. JAGADEESAN	EXTN : 102 EXTN : 118 EXTN : 122	MOBILE : 9382315859 MOBILE : 9382785557 MOBILE : 9176076652

TERMS AND CONDITIONS

Payment - Against Proforma Invoice / COD /VPP/ 100% Documents through Bank

Delivery - Against specific requirement / Depends on Quantity

*** MRP INCLUSIVE OF GST TAX





Ref : JAI / GC / 2017

Date : 02.08.2024



Dear Sir,

At the outset, we thank you all for patronizing our products. As you are aware, our **JAIBALAJI** products are the **ONLY PRODUCTS** available in India with  &  Markings and **IP-67** Protection. We are also an **ISO 9001 : 2015** Certified company offering **QUALITY PLUS** Products at **MOST COMPETITIVE PRICE**. **JAIBALAJI** Products are manufactured making use of **UL Listed V2 Flame Retardant Grade 960°** Glow Wire Tested Anti corrosive Anti-Acid unbreakable **Engineering Plastic** and are fully insulated. Our wide range of products are **Illuminated Push Buttons, Pilot lights, Push Button Stations (Plastic & Metal) LED Electronic Module Indicating lights (16.5 mm & 22.5 mm dia) Electronic signal Tower lights (LED & BULB) Electronic Proximity Sensors (Photo Sensors, Diffuse, Thro' Beam, Colour mark, Inductive & Capacitive) Electronic Timer Din Rail (Analog & Digital) Electronic Digital Counter / Timer, Digital Meters AC / DC Voltmeter, Ammeter, Digital Panel Meters, Frequency Meters, Variety of Limit Switches, like BC-9, BC-9T, JW Micro Adjustable, CEE EM 45, Precision, Miniature Snap Action, Mini Limit Switches, Heavy Duty Limit Switches JB - 2700, Extra Heavy Duty JC-1125 Limit Switches, Explosion Proof EPHA Limit Switches, Foot Switches, Engineering Plastic Industrial Plug & Sockets, and Connectors Cam Operated Rotary Switches, variety of different sizes of Junction Boxes (Engineering Plastic & Metal) and Telescopic Brushes, Pullcord, Beltsway, Zero speed switch & Rocker switch. Distribution Boxes, Pendent Pushbutton stations, CEE EM 45 Mini Limit Switch, Bus bar Indicator & Reed Magnetic Switch**

DEALERS ENQUIRIES ARE SOLICITED

This supersedes all previous Price Lists, Prices are subject to change without prior notice, Prices at the time of supply will be applicable.

Your continued patronage and kind co-operation will be very much appreciated.

Thanking you and assuring you of our best services always.

Yours faithfully,

for 



CHANAKYACHANDRAMOHAN

Encl : as above.

New No. 107, Sidco Industrial Estate

Post Box No. 27, Ambattur,

Chennai - 600 098. India

Phone : 0091 - 44 - 2625 1279

0091 - 44 - 2625 4469

0091 - 44 - 2625 4470

0091 - 44 - 2625 7174

0091 - 44 - 2625 7859

Fax : 0091 - 44 - 2625 5038

E-mail : dchandramohan@jaibalaji.firm.in

WEBSITE : www.jaibalaji.firm.in





S.No.	List of Limit Switches	Page No
1	ISO Certificate	1
2	ISI Certificate	2-7
3	CSA Certificate	8-10
4	Miniature micro switches	11-12
5	Precision limit switch	13-14
6	BC9 Mini limit switch	15-16
7	CEE EM 45 Limit switch	17-20
8	CEE EM 45 Mini Limit switch	21
9	VEE EER 45 General Prpose Limit switch	22-23
10	JW micro adjustable Limit switch	24-27
11	BC9 Oil tight Limit switch	28-33
12	BC9 'T' Oil tight Limit Switch	34-39
13	EPHA Limit switches	40-43
14	JC 1125 Heavy duty Limit switches	44-48
15	JB 2700 Heavy duty Limit switches	49-53
16	Foot Switch	54-55
17	Valve Position Monitor	56

CERTIFICATE

The Certification Body
of TÜV SÜD South Asia Private Limited
certifies that



Jaibalaji Control Gears Pvt. Ltd
No. 107, Sidco Industrial Estate, Ambattur, Chennai, - 600098, India

has implemented Quality Management System
in accordance with **ISO 9001:2015**
for the scope of

**Design, Manufacture and Supply of
Electromechanical, Electronic Controlling, Signalling Devices and
Switchgears for Engineering and Industrial Automation**

The certificate is valid from **2024-03-22** until **2027-03-21**

Subject to successful completion of annual periodic audits

The present status of this certificate can be obtained through TÜV SUD website by scanning below QR code and by entering the certificate number (without spaces) on web page. Further clarifications regarding the status & scope of this certificate may be obtained by consulting the certification body at info.in@tuvsud.com

Certificate Registration No. **99 100 02459**

Date of Initial certification: **2008-05-28**

Issue Date: **2024-03-19** Rev. **00**



Rahul Kale
Head of Certification Body
of TÜV SÜD South Asia Private Limited,
Mumbai
Member of TÜV SÜD Group





இந்திய தர நிர்ணய அமைவனம்

भारतीय मानक ब्यूरो
BUREAU OF INDIAN STANDARDS

दक्षिणी क्षेत्रीय कार्यालय

: पोस्ट बॉक्स नं. 8290
सी. आई. टी. कैंपस, चौथा क्रॉस रोड,
तरामनी, चेन्नै - 600 113.
Southern Regional Office : Post Box No. 8290
CIT Campus, IV Cross Road,
Taramani, Chennai - 600 113.

ANNEXURE TO ENDORSEMENT NO.16 DATED 20030206

1) LIMIT SWITCHES

RATED OPERATIONAL VOLTAGE : 415V
RATED THERMAL CURRENT : 10A
OPERATIONAL CURRENT : 1.5A(AC)
RATED IMPULSE VOLTAGE : 1.5KV AC
INSULATION VOLTAGE : 600V
POLLUTION DEGREE : '2'
IP CODE : IP 67
UTILISATION CATEGORY : AC 15/DC 13
CONDITIONAL SHORT CIRCUIT CURRENT : 100A
DESIGNATION : A600/R300
CONTACT ELEMENT : TYPE : ZA
MECHANICAL DUTY CLASS : 3
FREQUENCY OF OPERATIONAL CYCLES FOR ELECTRICAL DURABILITY : 300/HOUR

2) ROTARY SWITCHES:

UTILISATION CATEGORY : AC15
RATED INSULATION VOLTAGE : 600V AC
RATED IMPULSE VOLTAGE : 1.5KV AC
RATED OPERATIONAL VOLTAGE : 415V AC,
RATED FREQUENCY : 50Hz
CORRESPONDING OPERATIONAL CURRENT : 1.8A, 2A, 4A, 6A, 8A, 10A
CORRESPONDING THERMAL CURRENT : 7.5A, 12.5A, 20A, 32A, 40A, 80A
POLLUTION DEGREE/CASE : 3/CASE A
CLASS OF MECHANICAL DURABILITY : 3
MATERIAL GROUP : III a

3) PUSH BUTTON SWITCH

UTILISATION CATEGORY : AC15
RATED INSULATION VOLTAGE : 600V
RATED IMPULSE VOLTAGE : 1.5KV AC
RATED OPERATIONAL VOLTAGE : 415V AC, 50Hz
RATED OPERATIONAL CURRENT : 1.8A
RATED THERMAL CURRENT : 10A
POLLUTION DEGREE/CASE : 3/CASE A
CLASS OF MECHANICAL DURABILITY : 3
DESIGNATION : A600/R300

DIRECTOR & HEAD (MARKS II)
BIS, CHENNAI



இந்திய தர நிர்ணய அமைவனம்
भारतीय मानक ब्यूरो
BUREAU OF INDIAN STANDARDS

दक्षिणी क्षेत्रीय कार्यालय

: पोस्ट बॉक्स नं. 8290

सी. आई. टी. कैम्पस, चौथा क्रॉस रोड,
तरामनी, चेन्नै - 600 113.

Southern Regional Office : Post Box No. 8290

CIT Campus, IV Cross Road,
Taramani, Chennai - 600 113.

ANNEXURE TO ENDORSEMENT NO.16 DATED 20030266

4) AC INDICATOR LIGHTS (BULB)

Rated operational voltage	24, 48, 110, 230 V AC
Rated voltage of light	24, 48, 110, 230 V AC
Rated voltage of lamp	24, 48, 130, 130 V AC
Rated power	2.0, 2.0, 2.6, 2.6 Watts Max
Rated thermal power for mounting on metal plate	2.6, 2.6, 2.6, 2.6 Watts Max
Rated thermal power for mounting on enclosure	2.6, 2.6, 2.6, 2.6 Watts Max
Colour	Yellow, red, amber, blue, green, black, white, clear (for type and designation and colour, please see the catalogue enclosed)
Fixing hole diameter	22.5 mm, 22.5 mm, 22.5 mm, 22.5 mm
Means of connection	Single pin type small miniature with baynet cap holder
Nature of current applied and its frequency	AC 50 cycles
Type of lamp socket	Small miniature baynet cap holder with Nylon 66 (Grade 30) protective cover


DIRECTOR & HEAD (MARKS II)
BIS, CHENNAI



38
இந்திய தர நிர்ணய அமைவனம்
भारतीय मानक ब्यूरो
BUREAU OF INDIAN STANDARDS

दक्षिणी क्षेत्रीय कार्यालय

: पोस्ट बॉक्स नं. 8290

सी. आई. टी. फोरम, चौथा क्रॉस रोड,
तराणी, चेन्नै - 600 113.

Southern Regional Office :

Post Box No. 8290

CIT Campus, IV Cross Road,
Taramani, Chennai - 600 113.

ANNEXURE TO ENDORSEMENT NO.16 DATED 20.03.2006

5) DC INDICATOR LIGHTS (BULB)

Rated operational voltage	24, 48, 110, 230 V DC
Rated voltage of light	24, 48, 110, 230 V DC
Rated voltage of lamp	24, 48, 130, 130 V DC
Rated power	2.2, 2.6, 2.6 Watts Max
Rated thermal power for mounting on metal plate	2.2, 2.6, 2.6 Watts Max
Rated thermal power for mounting on enclosure	2.2, 2.6, 2.6 Watts Max
Colour	Yellow, red, amber, blue, green, black, white, clear (for type and designation and colour, please see the catalogue enclosed)
Fixing hole diameter	22.5 mm, 22.5 mm, 22.5 mm, 22.5 mm
Means of connection	Single pin type holder small miniature with baynet cap holder
Nature of current applied and its frequency	DC
Type of lamp socket	Small miniature baynet cap holder with Nylon 66 (Grade 30) protective cover

DIRECTOR & HEAD (MARKS II)
BIS, CHENNAI



ANNEXURE TO ENDORSEMENT NO.16 DATED 2008.02.06

6) AC INDICATOR LIGHTS (LED - LIGHT EMITTING DIODE)

Rated operational voltage	12, 24, 48, 110, 230 V AC
Rated voltage of light	12, 24, 48, 110, 230 V AC
Rated voltage of LED	2.2, 2.2, 2.2, 2.2 V AC Max
Rated current/power	25 mA/300 mW
Rated thermal power for mounting on metal plate	25 mA/300 mW
Rated thermal power for mounting on enclosure	25 mA/300 mW
Colour	Yellow, red, amber, blue, green, black, white, clear (for type and designation and colour, please see the catalogue enclosed)
Fixing hole diameter	22.5 mm, 22.5 mm, 22.5 mm, 22.5 mm
Means of connection	Solder connection
Nature of current applied and its frequency	AC 50 cycles
Type of lamp socket	Nylon 66 (Grade GF 30) protective cover

DIRECTOR & HEAD (MARKS II)
BIS, CHENNAI



இந்திய தர நிர்ணய அமைவனம்
भारतीय मानक ब्यूरो
BUREAU OF INDIAN STANDARDS

दक्षिणी क्षेत्रीय कार्यालय

: पोस्ट बॉक्स नं. 8290

सी. आई. टी. कैंपस, चौथ क्रॉस रोड,
तरामणी, चेन्नै - 600 113.

Southern Regional Office : Post Box No. 8290

CIT Campus, IV Cross Road,
Taramani, Chennai - 600 113.

ANNEXURE TO ENDORSEMENT NO.16 DATED 20030206

7) DC INDICATOR LIGHTS (LED - LIGHT EMITTING DIODE)

Rated operational voltage	12, 24, 48, 110, 230 V DC
Rated voltage of light	12, 24, 48, 110, 230 V DC
Rated voltage of lamp	2.2, 2.2, 2.2, 2.2 V DC Max
Rated current/power	25 mA/300 mW
Rated thermal power for mounting on metal plate	25 mA/300 mW
Rated thermal power for mounting on enclosure	25 mA/300 mW
Colour	Yellow, red, amber, blue, green, black, white, clear (for type and designation and colour, please see the catalogue enclosed)
Fixing hole diameter	22.5 mm, 22.5 mm, 22.5 mm, 22.5 mm
Means of connection	Solder connection
Nature of current applied and its frequency	DC
Type of lamp socket	Nylon 66 (Grade GF 30) protective cover

DIRECTOR & HEAD (MARKS II)
BIS, CHENNAI



இந்திய தர நிர்ணய அமைவனம்
भारतीय मानक ब्यूरो
BUREAU OF INDIAN STANDARDS

दक्षिणी क्षेत्रीय कार्यालय

: पोस्ट बॉक्स नं. 8290

सी. आई. टी. कैम्पस, चौथ क्रॉस रोड,
तरावणी, चेन्नै - 600 113.

Southern Regional Office : Post Box No. 8290

CIT Campus, IV Cross Road,
Taramani, Chennai - 600 113.

ANNEXURE TO ENDORSEMENT NO.16 DATED 20030206

8) MINIATURE LIMIT SWITCH

Rated operational voltage	: 240 V AC, 50 Hz
Rated operational current	: 3 A
Rated thermal current	: 10 Amp
Utilization category	: AC 15
Rated insulation voltage	: 600 V AC
Rated surge voltage	: 1500 V
Pollution degree	: 2
Rated conditional short circuit current	: 1000 A
Number of poles	: Single


DIRECTOR & HEAD (MARKS II)
BIS, CHENNAI

PAGE 6 OF 6



CERTIFICATION RECORD

The company named below has been authorized by CSA to represent the products listed in this record as "CSA Certified" and to affix the CSA Mark to these products according to the terms and conditions of the CSA Service Agreement and applicable CSA program requirements (including additional Markings).

File No: 114811 0 000

Class No: 3211 87 INDUSTRIAL CONTROL EQUIPMENT Miscellaneous Apparatus
- Certified to US Standards

SUBMITTOR

4576887 M/s Jai Balaji & Co.
89, Sidco Industrial Estate
P.O. No. 27
Ambattur
Chennai, 600098
India

FACTORY

4576887 M/s Jai Balaji & Co.
89, Sidco Industrial Estate
P.O. No. 27
Ambattur
Chennai, 600098
India

November 18, 2002 (Replaces: September 22, 1999)

- Rotary Switches, JRS-XX Series, Model Numbers and ratings are as follows:

Model No	Voltage	Current
JRS 9	400 V	6 A
JRS 18	400 V	10 A
JRS 27	400 V	16 A
JRS 45	400 V	25 A
JRS 63	400 V	32 A
JRS 81	400 V	40 A
JRS 90	400 V	63 A

- Limit Switches, JLS Series, JW Series, CEE EM 45 Series, the electrical ratings / mechanism / contacts are same for all the models and are as follows:

Model No	Contact Designation
JLS XXX	B300 / P600
JW XX	B300 / P600
CEE EM 45-XX	B300 / P600
JC XXXX	B300 / P600
JB XXXX	B300 / P600

Note: The suffixes -XXX indicate Model Numbers with different lever heads.

- Proximity Switches JB Series details are given below:

Model No	Type	DC Volts	DC Amps	AC Volts	AC Amp
JB 8 PILM	3 Wire DC	30 V DC	200 mA	--	--
JB 12 PIFM	3 Wire DC	30 V DC	200 mA	--	--
JB 18 PILM	3 Wire DC	30 V DC	200 mA	--	--
JB 30 PILM	3 Wire DC	30 V DC	200 mA	--	--
JB 36 AILM	2 Wire DC	--	--	230 V	300 mA
JB 50 PILM	2 Wire DC	30 V DC	200 mA	--	--

- Contact Switch Element for Push Buttons, Model Nos and Rating are as follows:

Model No	Contact Type	Designation	AC Rating	DC Rating
			Voltage/Current	Voltage/Current
JB1	N O	B300/P600	400 V/10 A	600 V/5 A
JB2	N C	B300/P600	400 V/10 A	600 V/5 A

● Pilot Lights

Model	Rated Voltage	Max Current mA
ML, PL	12 V, 24V, 48 V, 110 V ac/dc, 230 V ac and 220 V dc	25 mA
MB	12 V ac/dc	180 mA
	24 V ac/dc	80 mA
	48 V ac/dc	40 mA
	110 V ac/dc, 230 V ac and 220 V dc	25 mA

Note: These devices are certified as components only for use in other certified equipment where the suitability of the combination is determined by CSA International.

MINIATURE SNAP ACTION SWITCH WITH MARKS CATALOGUE CUM PRICE LIST

Features:

Centrally located common terminal. Wiping contact snap action, Standard temperature rating - 40 to 85 degree Celcius.

Actuators:

Button, Straight lever short, medium and long Roller lever, Short and roller lever Medium and Simulated Roller.

Characteristics:

Electrical: 50 mA to 25 Amps

Circuitry: SPDT, SPST, NO/NC

Operating Force: 25 to 280 gms

Typical Applications:

- Refrigerator
- Pressure Switch
- Electro Mechanical Timer
- Washing machine
- Electric Rice Cooker
- Vending Machine
- Food Processor
- Electronic Voting Machine
- Microwave Oven
- Servo Stabiliser
- Elevator
- Mixer Grinder
- Floor Cleaning Machine
- Center Lock in Automobiles
- Trivector Meter
- Bag Sealing Machine
- Door Opening Closing
- On Line Starter
- Telephones

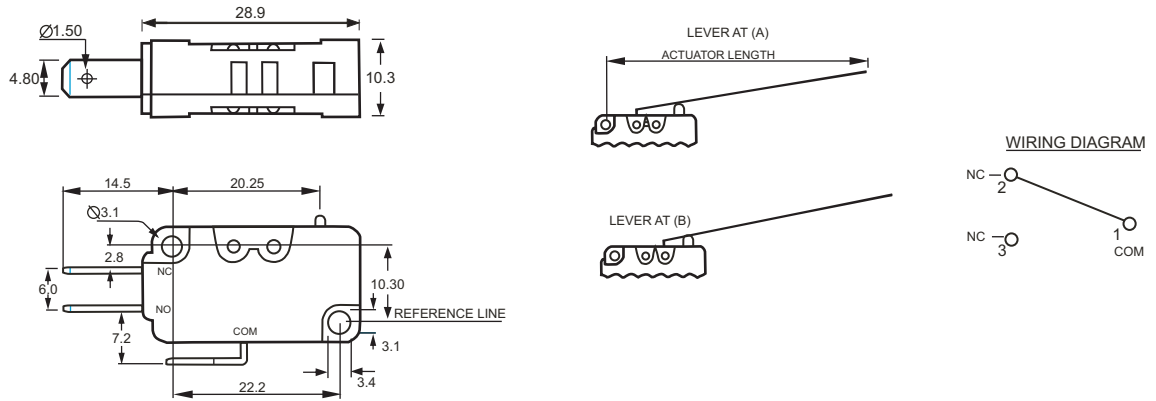
GENERAL CHARACTERISTICS	
Product	Miniature Snap action Switch
Reference Standards	IEC 947-5-1 / EN 60947-5-1 / UL 508 / CSA / 22.2 / IS 13947-5-1
Approvals	Breau of Indian Standards, CE
Protection class	IP44
Temperature storage	Minus 40 Degree Celsius to plus 70 degree Celsius
Temperature working	Minus 25 Degree Celsius to plus 70 degree Celsius
Mechanical Life	Three million operations
Frequency of operation	2500 operation per hour



ELEMENT CHARACTERISTICS	
Thermal Current	10 Amps
Insulation Voltage	600 VAC
Dielectric strength	2500 Volts per Minute
Insulation resistance	2 Meg. Ohms.
Contact Resistance	Less than 25 Milli Ohms
Short circuit protection	10 Amps High Rupturing Capacity Fuse
Rated Impulse Voltage	1500 Volts
Utilisation category	AC 15, DC 13
Contact type	Type 'C'

RATINGS: AC RATING INDUCTIVE - NEMA A 600				
Voltage	Make		Break	
	A	VA	A	VA
120	60	7200	6	720
240	30	7200	3	720
480	15	7200	1.5	720
600	12	7200	1.2	720

RATINGS: DC RATING INDUCTIVE - NEMA P 600				
Voltage	Make		Break	
	A	VA	A	VA
125	1.1	138	1.1	138
250	0.55	138	0.55	138
600	0.2	138	0.2	138



	Model No.	OPERATING FORCE				ACT LENGTH (mm) TOL.+ 0.6	MRP Rs.	Image	Model No.	OPERATING FORCE				ACT LENGTH (mm) TOL.+ 0.6	MRP Rs.
		0.1A	3A	5A	10A					0.1A	3A	5A	10A		
	JMS/B/S	15	15	45	75		72.00		JMS/ISL/S-B	3	3	8	17	70.5	99.00
	JMS/B/H	75	75	170	285		81.00		JMS/ISL/H-B	12	12	28	65	70.5	108.00
	JMS/IPL/S-A	4	4	10	20	70.0	90.00		JMS/ISM/S-A	10	10	30	45	31.5	90.00
	JMS/IPL/H-A	20	20	40	70	70.0	99.00		JMS/ISM/H-A	38	38	94	150	31.5	99.00
	JMS/IPL/S-B	2	2	6	15	74.5	90.00		JMS/ISM/S-B	7	7	17	28	36.0	99.00
	JMS/IPL/H-B	10	10	25	60	74.5	99.00		JMS/ISM/H-B	22	22	58	95	36.0	108.00
	JMS/IPM/S-A	8	8	25	40	35.5	90.00		JMS/IRM/S-A	8	8	25	40	34.0	117.00
	JMS/IPM/H-A	35	35	90	145	35.5	90.00		JMS/IRM/H-A	35	35	90	145	34.0	126.00
	JMS/IPM/S-B	5	5	15	25	40.0	90.00		JMS/IRM/S-B	5	5	15	25	38.5	117.00
	JMS/IPM/H-B	20	20	55	90	40.0	90.00		JMS/IRM/H-B	25	25	55	90	38.5	126.00
	JMS/IPS/S-A	15	15	45	75	22.0	81.00		JMS/IRS/S-A	15	15	45	75	22.0	117.00
	JMS/IPS/H-A	75	75	170	285	22.0	90.00		JMS/IRS/H-A	75	75	170	285	22.0	126.00
	JMS/ISL/S-A	5	5	12	22	66.0	99.00		JMS/IRS/S-B	12	12	35	60	26.5	117.00
	JMS/ISL/H-A	22	22	45	75	66.0	108.00		JMS/IRS/H-B	60	60	135	235	26.5	126.00

CATALOGUE CUM PRICE LIST

JAIBALAJI Precision Limit Switches are designed for industrial duty applications. They are small in size, reliable in operation, have exceptionally long life and are accurate. The wide variety of switch operating mechanisms coupled with the choice of either single pole 1NO+1NC or double pole 2NO+2NC changeover contacts permit easy selection and application for many needs.

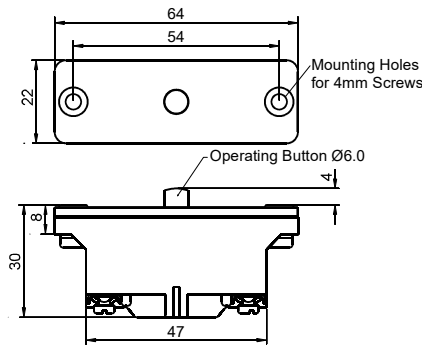
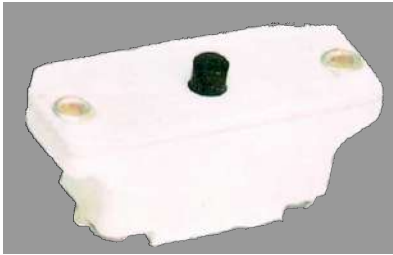
Electrical and Mechanical Rating

Utilisation Category : AC 15 and DC 13 as per IEC 947-5-1 and IS/IEC :60947/Pt5/Sec-1
Thermal current (I_{th}) : 15A
Insulation Voltage (UI) : 600 V AC

Contact Combination
Frequency of operation
Mechanical and Electrical life
Operating force
Terminal capacity

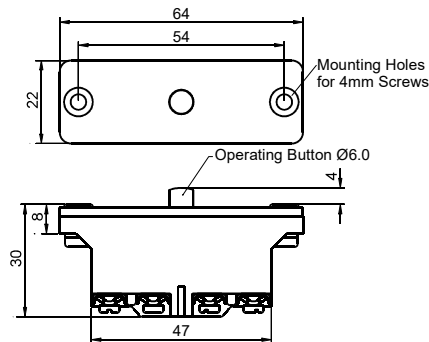
Single pole 1 NO + 1 NC changeover contacts
Double pole 2 NO + 2 NC changeover contacts
2500 operations per hour (max)
20x10⁶ operations without operator
10x10⁶ operations with operator
3.50 Kg
2.5mm² solid or stranded conductors

Precision Basic Limit Switch 1 NO + 1 NC Contacts



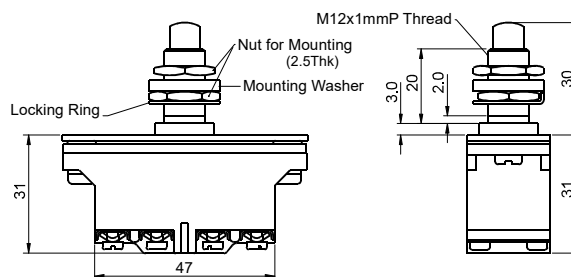
Model	Contacts	M.R.P.Rs
JO1	1NO+1NC	423

Precision Basic Limit Switch 2 NO + 2 NC Contacts



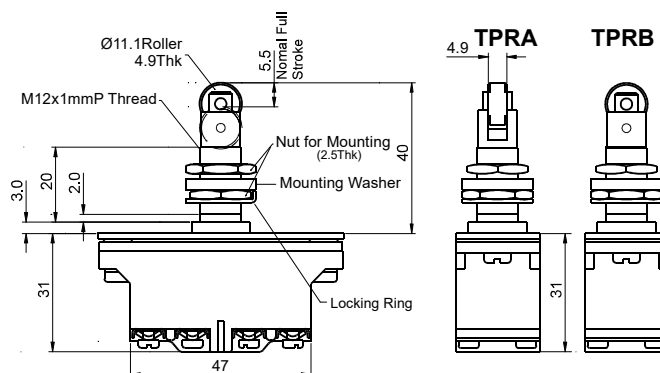
Model	Contacts	M.R.P.Rs
JO2	2NO+2NC	513

Precision Limit Switch with Top Push Button



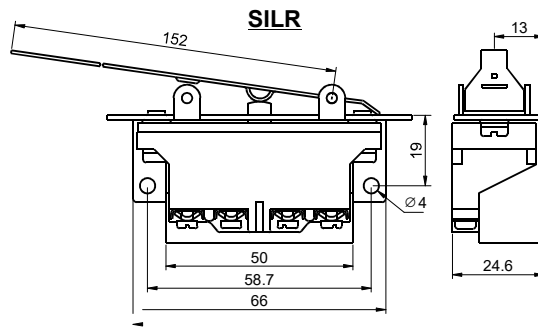
Model	Contacts	M.R.P.Rs
JO1TPB	1NO+1NC	540
JO2TPB	2NO+2NC	666

Precision Limit Switch with Top Push Roller

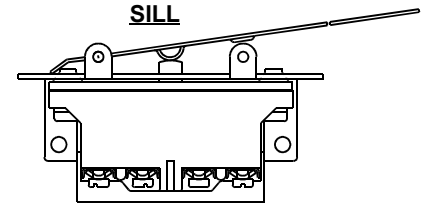


Model	Contacts	M.R.P.Rs
JO1TPRA	1NO+1NC	540
JO2TPRA	2NO+2NC	666
JO1TPRB	1NO+1NC	540
JO2TPRB	2NO+2NC	666

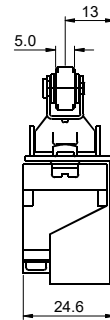
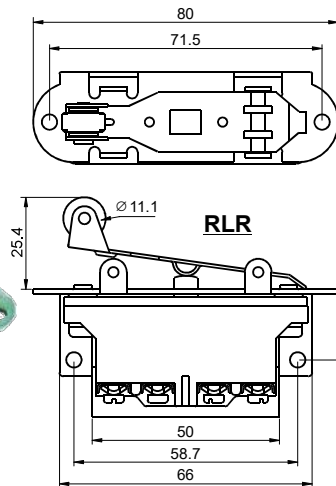
**Precision Limit Switch
with 6 inch(150mm) long Lever**



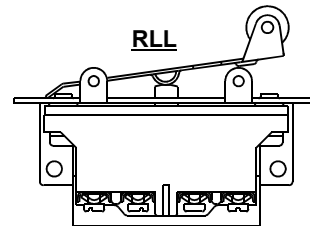
Model	Contacts	M.R.P.Rs
JO1SILR	1NO+1NC	540
JO2SILR	2NO+2NC	666
JO1SILL	1NO+1NC	540
JO2SILL	2NO+2NC	666



**Precision Limit Switch
with Roller Lever**



Model	Contacts	M.R.P.Rs
JO1RLR	1NO+1NC	540
JO2RLR	2NO+2NC	666
JO1RLL	1NO+1NC	540
JO2RLL	2NO+2NC	666



With 10mm Roller

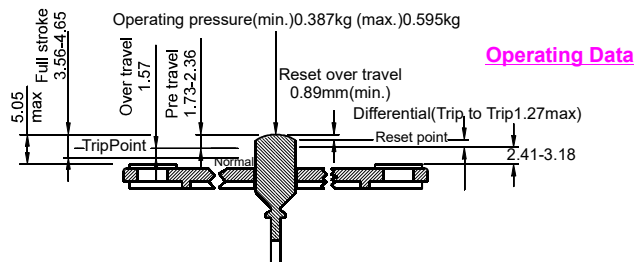
Model	Contacts	M.R.P.Rs
JO1RLR	1NO+1NC	567
JO2RLR	2NO+2NC	693
JO1RLL	1NO+1NC	567
JO2RLL	2NO+2NC	693

Also Available
Precision Limit Switch Lever Type with 10mm Roller

Operational current and voltage

AC 15 rating	Single pole (1 NO + 1 NC changeover contacts)		Double pole (2 NO + 2 NC changeover contacts)		
	110V	240V	440V	600V	
	4.0A	2.0A	1.0A	0.8A	
	3.0A	1.5A	0.8A	0.6A	
DC 13 rating	Single throw	Double throw	Single throw	Double throw	
	115V	2.0A	0.5A	1.0A	0.2A
	230V	0.5A	0.2A	0.3A	0.1A
	600V	0.1A	0.02A	0.1A	

The Above Types of Switches are also available with **Gold Plated Contacts** (At extra cost)



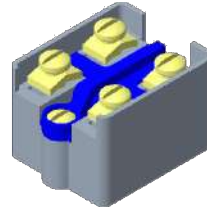
Post Box No. 27, 89 (New No. 107),SIDCO Industrial Estate,Ambattur, Chennai -600 098. India
Phone: +91 44 26251279 / 26257859 / 26254470 Fax: +91 44 26255038.
E-mail: dchandramohan@jaibalaji.firm.in Web: jaibalaji.in

JIBALAJI

RECOGNITION OF
Quality Plus

BC-9 MINI LIMIT SWITCHES

CATALOGUE AND PRICE LIST



**BASIC SWITCH
BC9M 'E'
MRP. Rs.315**



**JMLS JWA
M.R.P. Rs.612**



**JMLS LA
M.R.P. Rs.612**



**JMLS TAR
M.R.P. Rs.612**



**JMLS TNR
M.R.P. Rs.612**



**JMLS TPB
M.R.P. Rs.612**



**JMLS L-1
M.R.P. Rs.612**



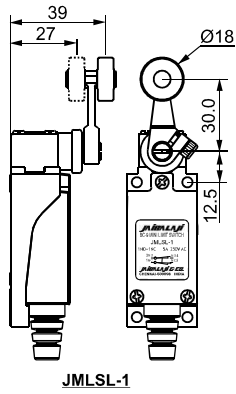
**JMLS TPR
M.R.P. Rs.612**



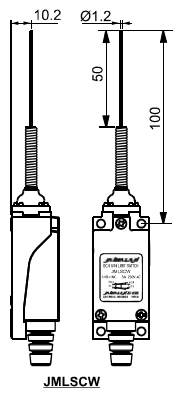
**JMLS CW
M.R.P. Rs.612**



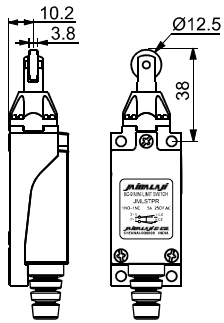
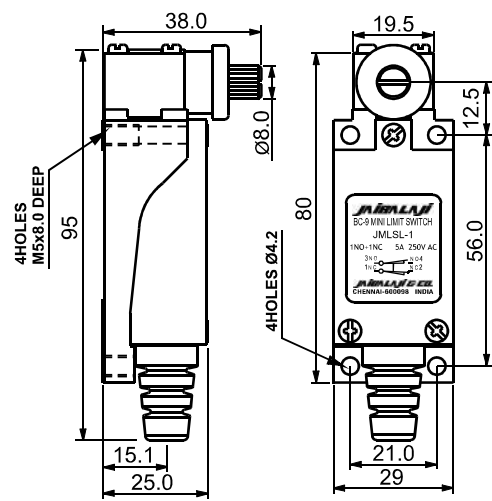
**JMLS CWN
M.R.P. Rs.612**



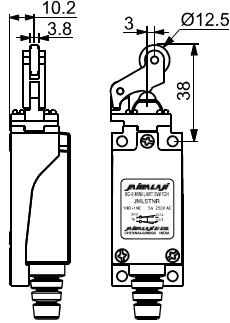
JMLS-1



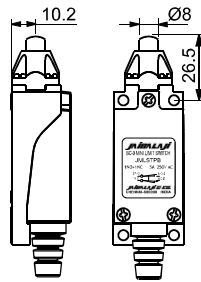
JMLSCW



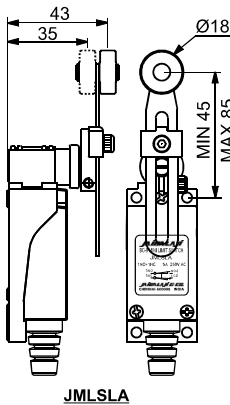
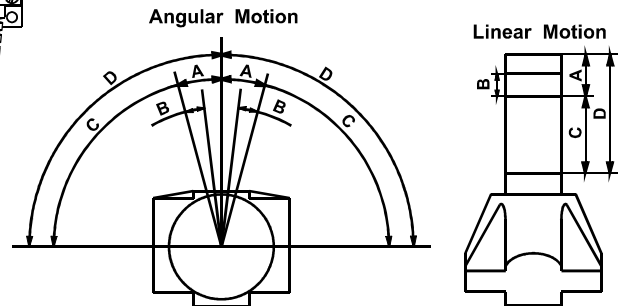
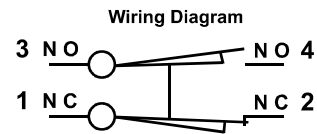
JMLSTPR



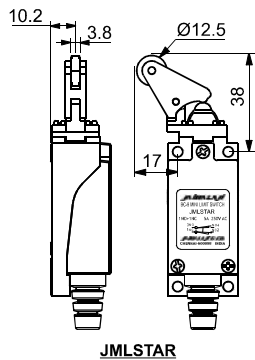
JMLSTNR



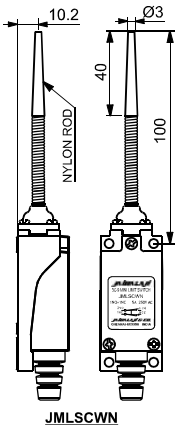
JMLSTPB



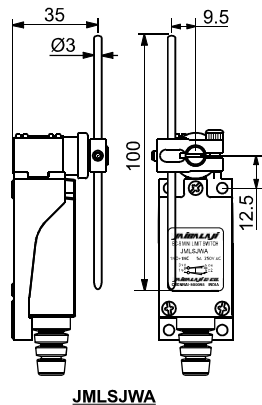
JMLSLA



JMLSTAR



JMLSCWN



JMLSJWA

MODEL	JMLS-1 JMLSLA JMLSJWA (max)	JMLSTPR JMLSTPB (mm) (max)	JMLSCW JMLSCWN (mm) (max)	JMLSTNR JMLSTAR (mm) (max)
A -Travel to Trip	15°	1.5	30	2.0
B -Travel to Reset from Trip Point	8°	0.8	-	-
C -Over Travel	75°	4.0	20	3.5
D -Total Travel	90°	5.5	50	5.5
Operating Force	600gms At30 Radius	900gms	90gms	900gms

PRODUCT SPECIFICATIONS

Utilization Category: AC15 and DC13 as per IEC-60947-5 & IS: 13947-5-1
 Rated Insulation Voltage : 250V AC
 Rated Thermal Current Ith : 5A
 Contact Ratings : AC15 RATING 250V, 50Hz, 2.0A, DC13 RATING 125V, 0.1A
 Mechanical Life Span : 10 x 10⁶ Operations
 Enclosure Category : IP-64
 Max. Operation Speed : 120 cycles/minute
 Tightening Torque of Terminal Screw : 0.8 Nm(Max.)
 Applicable wire : Conductor size: 0.75 - 1.25 mm²
 Outer Dia of cable: 6-9 mm



Post Box No. 27, 89 (New No. 107), SIDCO Industrial Estate, Ambattur, Chennai -600 098. India
 Phone: +91 44 26251279 / 26257859 / 26254470 Fax: +91 44 26255038.
 E-mail: dchandramohan@jaibalaji.firm.in Web: jaibalaji.in

Limit Switches

TYPE CEE EM 45 SERIES

IP 67

CATALOGUE CUM PRICE LIST



PUSH ROD

ANGULAR ROLLER

NORMAL ROLLER

GENERAL

JAIBALAJI manufactures a wide range of Limit switches tested to rigid quality standards. Jaibalaji switches are ISI marked as per IS/IEC:60947-Pt5/Sec-1

JAIBALAJI Limit switches with wide range and high quality are used for import substitution. The range includes:

- STANDARD OIL TIGHT TYPE BC-9
- MICRO ADJUSTABLE TYPE JW
- PRECISION TYPE JO
- HEAVY DUTY JB 2700
- EXTRA HEAVY DUTY TYPE JC - 1125
- GENERAL PURPOSE TYPE CEE EM 45

SPECIAL FEATURES

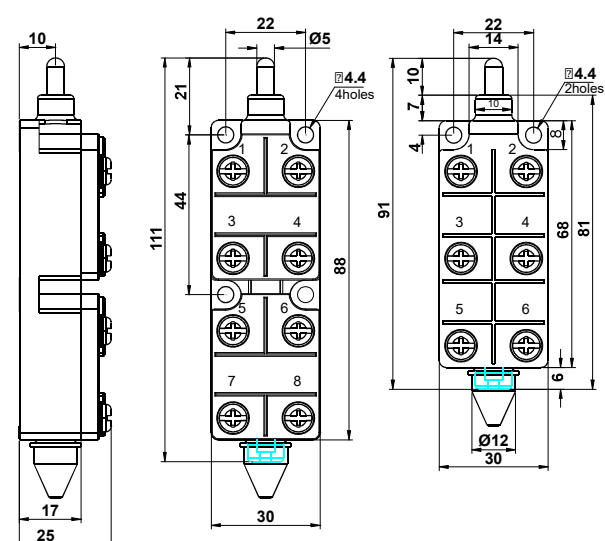
- Completely oil & water tight and dust and damp proof.
- Ample wiring space for easy termination.
- Flame retardant thermoplastic barriers between terminals to prevent short circuit.
- Serrated terminal to give firm grip to straight wire.

TECHNICAL DATA:

Electrical Contact rating	: 1NO+1NC 2NO + 2NC																		
Continuous Current (Ith ₂)	: 10A																		
Rated Voltage	A.C.	: 500V																	
	D.C.	: 600V																	
Permissible ambient temperature	: -40°C to +85°C																		
Mechanical Life	: 15 million Switching cycles.																		
Contact Life A. C.	<table border="1" style="width: 100%; border-collapse: collapse;"> <tr> <td style="width: 25%;">Breaking Current -A</td> <td style="width: 12.5%;">1</td> <td style="width: 12.5%;">3</td> <td style="width: 12.5%;">6</td> <td style="width: 12.5%;">10</td> </tr> <tr> <td>Switching Cycles-million</td> <td>15</td> <td>5</td> <td>2.5</td> <td>1</td> </tr> <tr> <td></td> <td>(11)</td> <td>(4)</td> <td>(1.8)</td> <td>(0.7)</td> </tr> </table>				Breaking Current -A	1	3	6	10	Switching Cycles-million	15	5	2.5	1		(11)	(4)	(1.8)	(0.7)
Breaking Current -A	1	3	6	10															
Switching Cycles-million	15	5	2.5	1															
	(11)	(4)	(1.8)	(0.7)															

Frequency of operation : 6000 cycles/hour

<p>Making and breaking capacity and operational current - 40 - 60 Hz, p.f. 0.3 to 1</p> <p>AC 15 duty</p> <table border="1" style="width: 100%; border-collapse: collapse;"> <thead> <tr> <th>Voltage</th> <th>Rated Operating current (Ie)</th> <th>Rated making capacity</th> <th>Rated breaking capacity</th> </tr> <tr> <th>V</th> <th>A</th> <th>A</th> <th>A</th> </tr> </thead> <tbody> <tr><td>24</td><td>6(3)</td><td>90(30)</td><td>60(30)</td></tr> <tr><td>125</td><td>6(3)</td><td>90(30)</td><td>60(30)</td></tr> <tr><td>220</td><td>6(3)</td><td>90(30)</td><td>60(30)</td></tr> <tr><td>380</td><td>6(3)</td><td>90(30)</td><td>60(30)</td></tr> <tr><td>415</td><td>4(3)</td><td>90(30)</td><td>60(30)</td></tr> <tr><td>500</td><td>4(3)</td><td>90(30)</td><td>60(30)</td></tr> </tbody> </table>	Voltage	Rated Operating current (Ie)	Rated making capacity	Rated breaking capacity	V	A	A	A	24	6(3)	90(30)	60(30)	125	6(3)	90(30)	60(30)	220	6(3)	90(30)	60(30)	380	6(3)	90(30)	60(30)	415	4(3)	90(30)	60(30)	500	4(3)	90(30)	60(30)	<p>Breaking Capacity - D.C.</p> <table border="1" style="width: 100%; border-collapse: collapse;"> <thead> <tr> <th>Voltage</th> <th>Resistive load(DC1)</th> <th>Inductive load(DC11)</th> </tr> <tr> <th>V</th> <th>A</th> <th>A</th> </tr> </thead> <tbody> <tr><td>24</td><td>10 (7)</td><td>10 (7)</td></tr> <tr><td>110</td><td>2.2(1.5)</td><td>1.3(0.91)</td></tr> <tr><td>220</td><td>0.9(0.62)</td><td>0.4(0.28)</td></tr> <tr><td>440</td><td>0.4(0.28)</td><td>0.2(0.14)</td></tr> <tr><td>600</td><td>0.3(0.21)</td><td>0.14(0.1)</td></tr> </tbody> </table>	Voltage	Resistive load(DC1)	Inductive load(DC11)	V	A	A	24	10 (7)	10 (7)	110	2.2(1.5)	1.3(0.91)	220	0.9(0.62)	0.4(0.28)	440	0.4(0.28)	0.2(0.14)	600	0.3(0.21)	0.14(0.1)
Voltage	Rated Operating current (Ie)	Rated making capacity	Rated breaking capacity																																																			
V	A	A	A																																																			
24	6(3)	90(30)	60(30)																																																			
125	6(3)	90(30)	60(30)																																																			
220	6(3)	90(30)	60(30)																																																			
380	6(3)	90(30)	60(30)																																																			
415	4(3)	90(30)	60(30)																																																			
500	4(3)	90(30)	60(30)																																																			
Voltage	Resistive load(DC1)	Inductive load(DC11)																																																				
V	A	A																																																				
24	10 (7)	10 (7)																																																				
110	2.2(1.5)	1.3(0.91)																																																				
220	0.9(0.62)	0.4(0.28)																																																				
440	0.4(0.28)	0.2(0.14)																																																				
600	0.3(0.21)	0.14(0.1)																																																				

<p>NEW BASIC SWITCHES</p> <p>WITH SLOW MAKE AND BREAK CONTACTS</p> 	<p>Electrical Contact rating</p> <p>2NO + 2 NC</p> <table border="1" style="width: 100%; border-collapse: collapse;"> <tr> <td style="width: 50%;">AC 15 rating</td> <td style="width: 50%;">Double pole : 2 No + 2NC Changeover contacts</td> </tr> <tr> <td>110V</td> <td>3.0A</td> </tr> <tr> <td>240V</td> <td>1.5A</td> </tr> <tr> <td>440V</td> <td>0.5A</td> </tr> <tr> <td>600V</td> <td>0.6A</td> </tr> <tr> <td>DC 13 rating</td> <td>Single Throw Double throw</td> </tr> <tr> <td>115V</td> <td>1.0A 0.2A</td> </tr> <tr> <td>230V</td> <td>0.3A 0.1A</td> </tr> <tr> <td>400V</td> <td>0.1A</td> </tr> </table>	AC 15 rating	Double pole : 2 No + 2NC Changeover contacts	110V	3.0A	240V	1.5A	440V	0.5A	600V	0.6A	DC 13 rating	Single Throw Double throw	115V	1.0A 0.2A	230V	0.3A 0.1A	400V	0.1A
AC 15 rating	Double pole : 2 No + 2NC Changeover contacts																		
110V	3.0A																		
240V	1.5A																		
440V	0.5A																		
600V	0.6A																		
DC 13 rating	Single Throw Double throw																		
115V	1.0A 0.2A																		
230V	0.3A 0.1A																		
400V	0.1A																		

S.No.	Model	Contacts	M.R.P Rs.
1	CEE EM 45 - 108 PCE	2 NC	520
2	CEE EM 45 - 117 PCE	2 NC + 1 NO	565
3	CEE EM 45 - 126 PCE	2 NO + 1 NC	565
4	CEE EM 45 - 135 PCE	2 NO + 2 NC	592

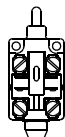
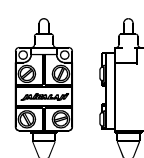



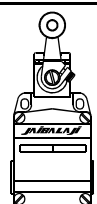

Flexibility of replacing complete contact block without changing the operating characteristic

The twin break silver contacts provide quick make and break action with high contact pressure

Completely protected against cutting lubricant and fine dust penetration by using special 'O' rings and gaskets

Available in 2NO + 2NC configuration in the same as 1NO + 1NC version, thus reducing additional limit switches and control relays

SELECTION TABLE

Execution	Design	Contacts		Type	MRP Rs.		Enclosure according to IS/IEC: 60947
		Arrangement	No. of contacts		1NO+1NC	2NO+2NC	
 open 	With Push-rod	Normal		45-9 E	216		IP 00
		Snap Action	1NO + 1NC	45-18 E	234		
		Extended Stroke	1NO + 1NC	45-27E	216		
		Overlapping	1NO + 1NC	45-36E	234		
	With Push-rod and plastic protective cover	Normal	1NO + 1NC	45-9 PCE	234		IP 40
		Snap Action	1NO + 1NC	45-18PCE	252		
		Extended Stroke	1NO + 1NC	45-27PCE	234		
		Overlapping	1NO + 1NC	45-36PCE	252		
  	With Push-rod	Normal	1NO + 1NC	45-9	594		IP 67
		Snap Action	1NO + 1NC	45-18	612	1620	
		Extended Stroke	1NO + 1NC	45-27	594		
		Overlapping	1NO + 1NC	45-36	612		
	With Normal Roller Lever	Normal	1NO + 1NC	45-45	594		IP 67
		Snap Action	1NO + 1NC	45-54	612	1620	
		Extended Stroke	1NO + 1NC	45-63	594		
		Overlapping	1NO + 1NC	45-72	612		
	With Angular Roller Lever	Normal	1NO + 1NC	45-81	594		IP 67
		Snap Action	1NO + 1NC	45-90	612	1620	
		Extended Stroke	1NO + 1NC	45-99	594		
		Overlapping	1NO + 1NC	45-09	612		
	With Roller Lever	Snap Action	1NO + 1NC	45-54 LA	1296	2349	IP 67
		Snap Action	1NO + 1NC	45-54 L1	1296	2349	
	With Angular/Normal Roller Lever	Normal	1NO + 1NC	45-45PGS A/N	594		
		Snap Action	1NO + 1NC	45-54PGS A/N	612	1620	

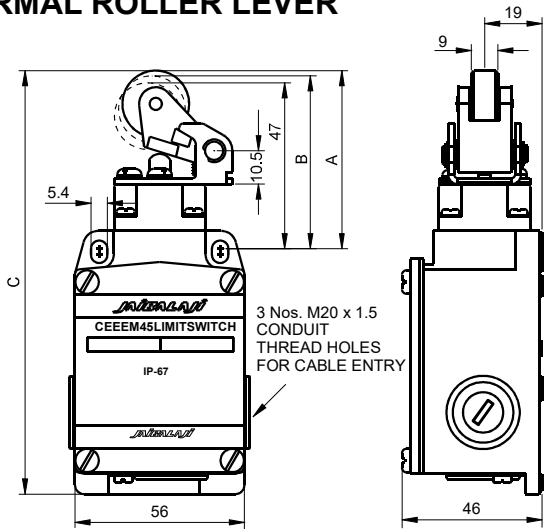
The Above Types of Switches are also available with **Gold Plated Contacts** (At extra cost)

The Above Types of Switches are also available for **High Temperature (150°C)** (At extra cost)

and with **LED Indicator** (At extra cost)

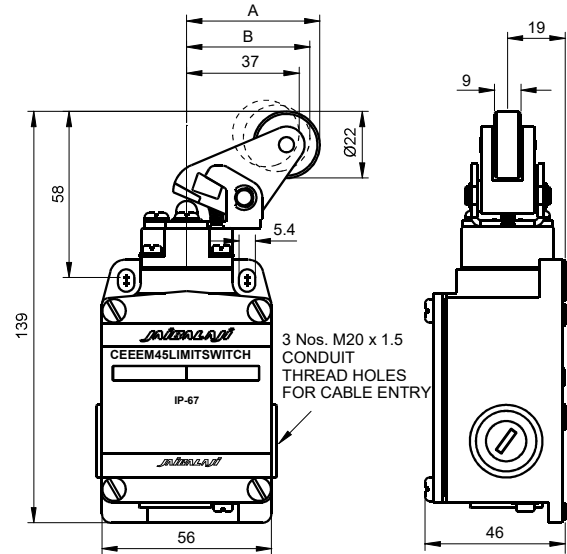
DO NOT SCALE/DIMENSIONS ARE IN MM

**IN OIL TIGHT DIE CAST ALUMINIUM HOUSING
NORMAL ROLLER LEVER**



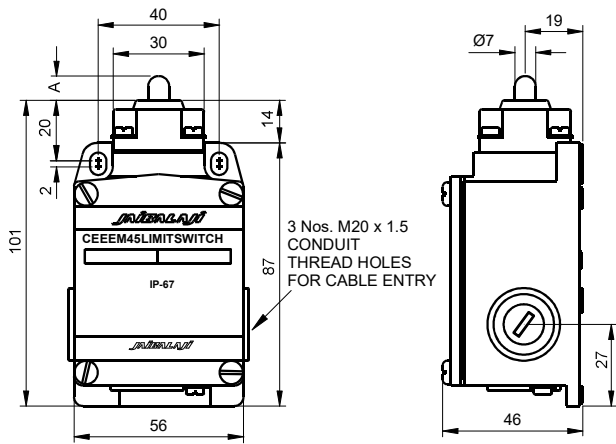
TYPE	A	B	C
45-45	56	55	137
45-54	56	53	137
45-63	58	57	137
45-72	56	56	137

ANGULAR ROLLER LEVER



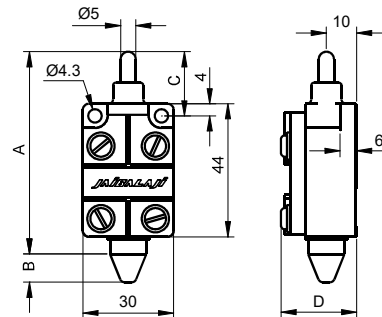
TYPE	A	B
45-81	44	43
45-90	44	41
45-99	45	45
45-09	44	43

PUSH ROD ACTUATOR



TYPE	A
45-9	6
45-18	4
45-27	8
45-36	6

OPEN EXECUTION



TYPE	A	B	C	D
45-9E	67	7	21	25
45-9PCE	67	7	21	30
45-18E	65	2	19	25
45-18PCE	65	2	19	30
45-27E	67	9	21	25
45-27PCE	67	9	21	30
45-36E	67	7	21	25
45-36PCE	67	7	21	30

Manufactured by :

JAIBALAJI
CONTROL GEARS PVT. LTD

POST BOX NO. 27

89, (NEW NO:107), SIDCO INDUSTRIAL ESTATE
AMBATTUR, CHENNAI - 600 098.

PHONE : 26251279, 26257859, 26254469

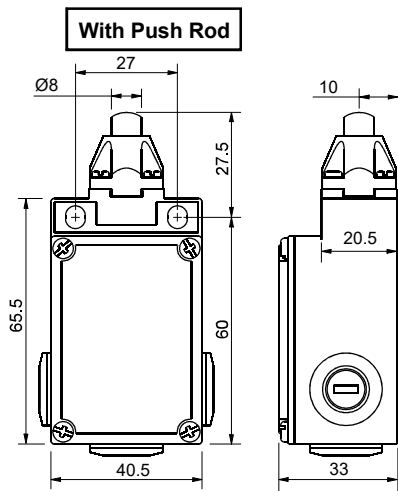
FAX : 044-26255038.

E-MAIL : dchandramohan@jaibalaji.firm.in

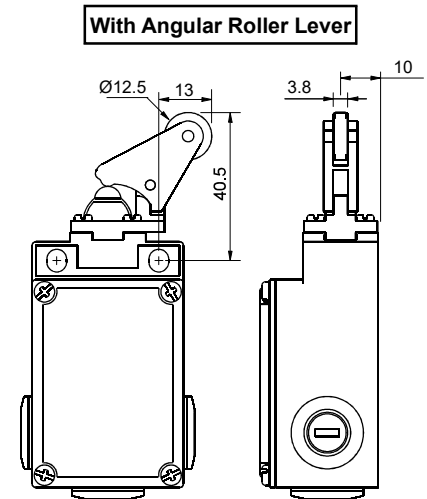
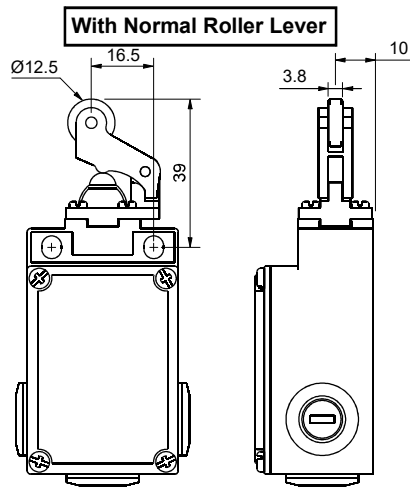
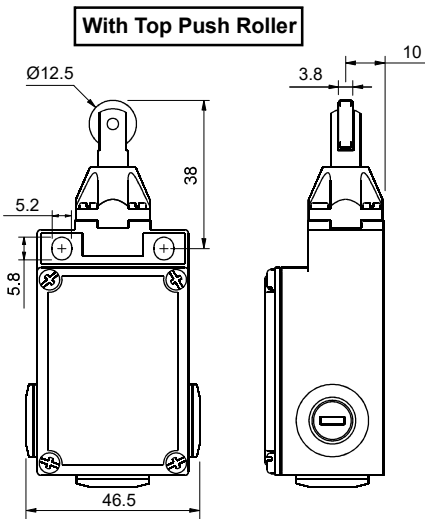
JAIBALAJI

CEE EM 45 MINI LIMIT SWITCH

CATALOGUE CUM PRICE LIST



Utilization category : AC15 and Dc13 as per IEC-60947-5 and IS:13947-5-1
 Rated Insulation Voltage : 250 V AC
 Rated Thermal Current Ith : 5A
 Contact Ratings : AC 15 Rating 250V,50Hz,2.0A DC 13 Rating 125V,0.1A
 Mechanical life : 10 x 10 6 operations
 Enclosure Category : IP - 64
 Cable Entry : M16x1.5 P Thread (3 Places)



Head	Contact	Code No.	Plastic Roller MRP Rs.	Metal Roller MRP Rs.
Top Push Rod	Normal Action	AAR VEE 9 - 9		414
	Snap Action	AAR VEE 9 - 18		432
Top Push Roller Plastic	Normal Action	AAR VEE 9 - 27 *	432	459
	Snap Action	AAR VEE 9 - 36 *	450	477
With Normal Roller Lever - Plastic	Normal Action	AAR VEE 9 - 45 *	468	495
	Snap Action	AAR VEE 9 - 54 *	495	522
With Angular Roller Lever - Plastic	Normal Action	AAR VEE 9 - 63 *	468	495
	Snap Action	AAR VEE 9 - 72 *	495	522
Roller Lever	Snap Action	AAR VEE 9 - L1 *	585	612
Roller Lever Adjustable	Snap Action	AAR VEE 9 - LA*	585	612
Cat Whisker	Snap Action	AAR VEE 9 - CW		621
Cat Whisker Nylon	Snap Action	AAR VEE 9 - CWN		621
With Steel Rod	Snap Action	AAR VEE 9 - JWA		621

***Add Suffix M for Metal Roller**



JAIBALAJI
CONTROL GEARS PVT. LTD

Post Box No. 27, 89 (New No. 107),SIDCO Industrial Estate,Ambattur, Chennai -600 098. India
 Phone: +91 44 26251279 / 26257859 / 26254470 Fax: +91 44 26255038.
 E-mail: dchandramohan@jaibalaji.firm.in Web: jaibalaji.in

JAIBALAJI

VEE EER 45 - GENERAL PURPOSE LIMIT SWITCH

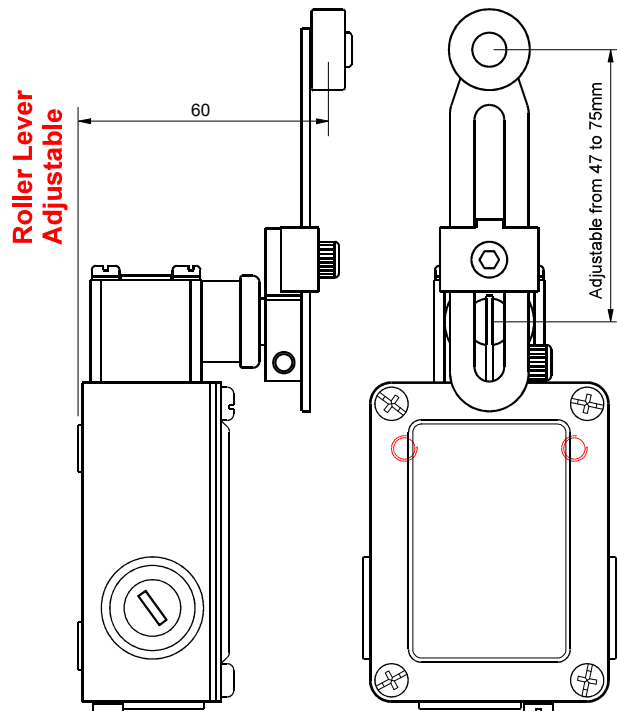
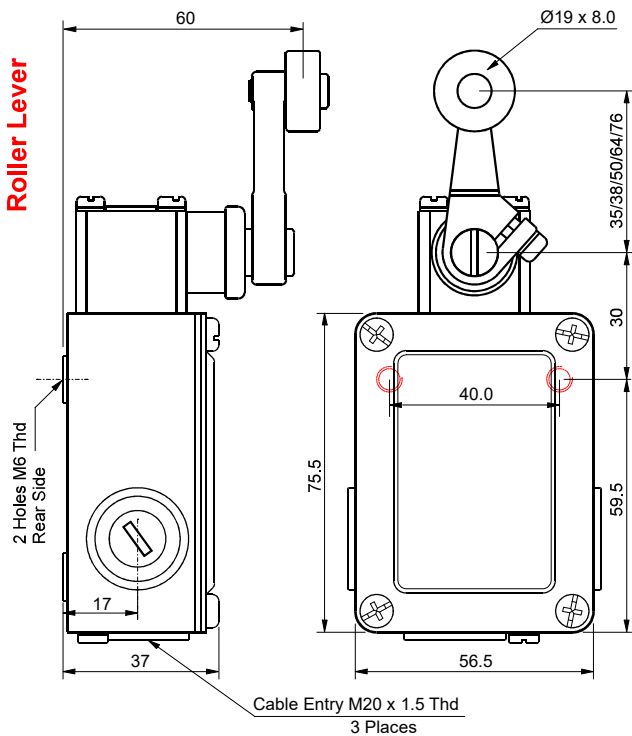


Utilization category
Thermal Current Ith
Insulation Voltage
Contact Combination
Mechanical life
Enclosure
Terminal Capacity

: AC15 and DC13 as per IS / IEC-60947-5
: 10A @ 240V AC / 30V DC
: 600V AC
: 1 NO + 1 NC
: 10 x 10⁶ operations
: Die Cast Aluminium
: 2.5² mm Solid OR Stranded

Model : VEE EER 45 - 9L M.R.P. Rs. 1098
VEE EER 45 - 18L M.R.P. Rs. 1125

Model : VEE EER 45 - 9LA M.R.P. Rs. 1098
VEE EER 45 - 18LA M.R.P. Rs. 1125

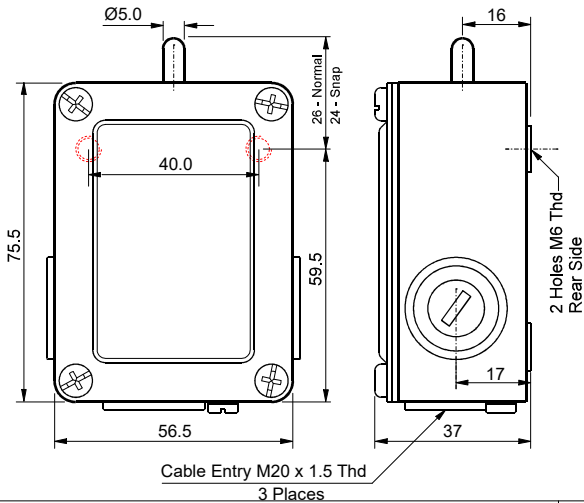


JAIBALAJI
CONTROL GEARS PVT. LTD

Post Box No. 27, 89 (New No. 107), SIDCO Industrial Estate, Ambattur, Chennai -600 098. India
Phone: +91 44 26251279 / 26257859 / 26254470 Fax: +91 44 26255038.
E-mail: dchandramohan@jaibalaji.firm.in Web: jaibalaji.in

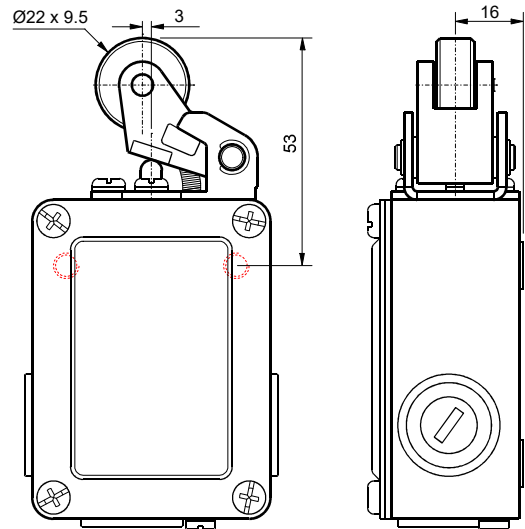
Model : VEE EER 45 - 9TP M.R.P. Rs. 549
VEE EER 45 - 18TP M.R.P. Rs. 576

Top Push Plunger



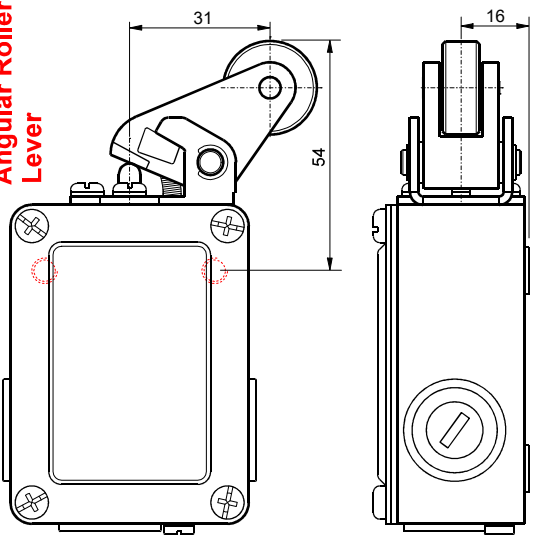
Model : VEE EER 45 - 9NL M.R.P. Rs. 549
VEE EER 45 - 18NL M.R.P. Rs. 576

Normal Roller Lever



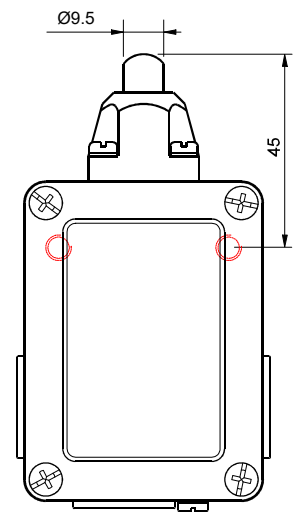
Model : VEE EER 45 - 9AL M.R.P. Rs. 549
VEE EER 45 - 18AL M.R.P. Rs. 576

Angular Roller Lever



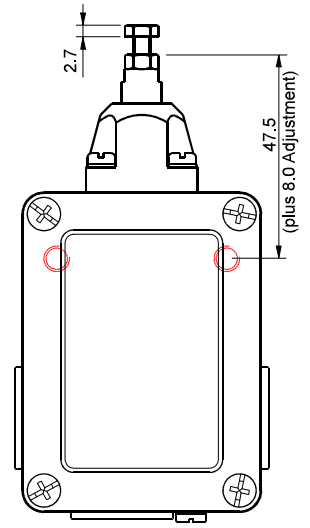
Model: VEE EER 45 - 9TPB M.R.P. Rs. 549
VEE EER 45 - 18TPB M.R.P. Rs. 576

Top Push Button



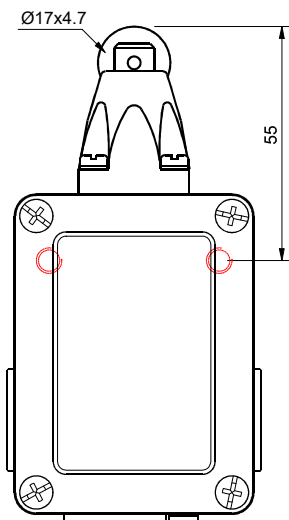
Model: VEE EER 45 - 9TPBA M.R.P. Rs. 549
VEE EER 45 - 18TPBA M.R.P. Rs. 576

Top Push Button Adjustable



Model: VEE EER 45 - 9TPR M.R.P. Rs. 549
VEE EER 45 - 18TPR M.R.P. Rs. 576

Top Push Roller



Type	Contact	Model	Trip Travel (Max)	Total Travel
Roller Lever 35/38/50/64/76	Normal Action	VEE EER 45 - 9L	25°	50°
	Snap Action	VEE EER 45 - 18L	20°	50°
Roller Lever Adjustable	Normal Action	VEE EER 45 - 9LA	25°	50°
	Snap Action	VEE EER 45 - 18LA	20°	50°
Top Push Roller	Normal Action	VEE EER 45 - 9TPR	3.0mm	5.5
	Snap Action	VEE EER 45 - 18TPR	2.0mm	5.0
With Normal Roller Lever	Normal Action	VEE EER 45 - 9NL	4.0mm	7.0
	Snap Action	VEE EER 45 - 18NL	2.5mm	7.0
With Angular Roller Lever	Normal Action	VEE EER 45 - 9AL	3.5mm	5.0
	Snap Action	VEE EER 45 - 18AL	3.5mm	5.0
Top Push Button	Normal Action	VEE EER 45 - 9TPB	3.0mm	5.5
	Snap Action	VEE EER 45 - 18TPB	2.0mm	5.0
Top Push Button Adjustable	Normal Action	VEE EER 45 - 9TPBA	3.0mm	5.5
	Snap Action	VEE EER 45 - 18TPBA	2.0mm	5.0
Top Push Plunger	Normal Action	VEE EER 45 - 9TP	4.5mm	8.0
	Snap Action	VEE EER 45 - 18TP	2.0mm	5.0

JAIBALAJI
CONTROL GEARS PVT. LTD

Post Box No. 27, 89 (New No. 107),SIDCO Industrial Estate,Ambattur, Chennai -600 098. India
 Phone: +91 44 26251279 / 26257859 / 26254470 Fax: +91 44 26255038.
 E-mail: dchandramohan@jaibalaji.firm.in Web: jaibalaji.in

JAIBALAJI JW LIMIT SWITCHES

DUST AND DAMP PROOF IP 67 WITH

IS/IEC:60947



Pt-5 / Sec-1

CATALOGUE CUM PRICE LIST

**JW 12/18
Adjustable Lever**



**JW 12/18
with 38 Lever**



**JW 12/18
with 76.2 Lever**



**JW 12/18
with Fork Lever**



JW 32/38

Micro adjustable Roller



JW 42/48

Micro adjustable Push rod



**JW 12/18
with Offset Lever**

CONFORMS TO IS/IEC:60947 Pt5 Sec1
PROTECTION IP 67

LEVER ARM OPERATED

JW - 12 1 NO 1 NC

JW - 18 2 NO 2 NC

MICRO ADJUSTABLE LIMIT SWITCHES

- ★ MICRO TRIP TORQUE ADJUSTMENT
- ★ RESET POSITION ADJUSTMENT
- ★ REVERSE ACTION SETTING ADJUSTMENT
- ★ RAPID SETTING ADJUSTMENTS OF ROTARY OPERATION LEVER THROUGH 360° AND SCHEME CHANGES WITHOUT DISMOUNTING
- ★ FOUR POSSIBLE MOUNTING POSITIONS

ROLLER PLUNGER OPERATED

JW - 32 1 N.O 1 N.C.

JW - 38 2 N.O. 2 N.C. AND

PUSH ROD PLUNGER OPERATED

JW - 42 1 N.O 1 N.C.

JW - 48 2 N.O. 2 N.C.

MICRO METER ADJUSTMENT LIMIT SWITCHES

PLUNGER TYPE SWITCHES SHOULD BE USED WHERE A MICROMETER ADJUSTMENT OF THE PLUNGER IS REQUIRED. THESE SWITCHES ARE SUITABLE FOR USE ON MACHINES WHERE SHORT, CONTROLLED CAM MOVEMENTS ARE PRESENT. OPERATION MUST BE IN LINE WITH PLUNGER AXIS OR CAN BE PERPENDICULAR TO THE PLUNGER AXIS ON THE ROLLER PLUNGER TYPES.

Non Plug-in Small Precision Limit Switches are designed specifically for use on modern machine tools, to control starting, stopping or reversing of electrical motors including safety and signalling light, lifting gear, hoists, conveyors, etc.

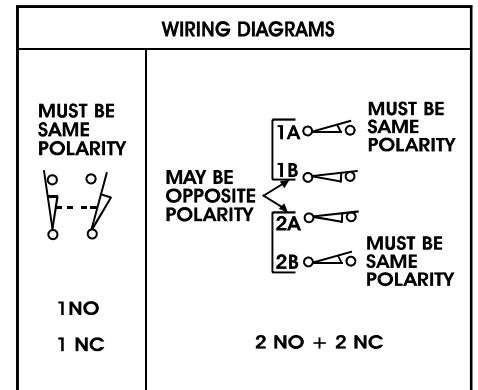
The two pole limit switches are identical in appearance and size to the popular single pole version. Two pole limit switches are desirable in many installations and can reduce the number of limit switches and control relays used.

Protected against oil, cutting lubricants and fine dust penetration by using compressed rubber rings, special gaskets, pressure die cast zinc top and aluminium bottom cover.

All the parts are anti-corrosive material and paints.

Spring return, Snap action, Quick make and Quick break contacts.

Operational current and voltage				
AC 15 rating	Single pole 1 NO + 1 NC Changeover contacts		Double pole 2 NO + 2 NC Changeover contacts	
	110 V	4 A		3.0 A
240 V	2 A		1.5 A	
440 V	1 A		0.8 A	
600 V	0.8 A		0.6 A	
DC 13 rating	Single throw	Double throw	Single throw	Double throw
115 V	2.0 A	0.5 A	1.0 A	0.2 A
230 V	0.5 A	0.2 A	0.3 A	0.1 A
600 V	0.1 A	0.02 A	0.1 A	-



1 N.O.1 N.C. contacts are Single Pole, Double Throw one circuit normally open and one circuit normally closed. These circuits are electrically separate, but cannot be used on opposite polarities.

2 N.O. 2 N.C. contacts: Each pole is electrically separate from the other and can be used on opposite polarities. The contacts of each pole, double throw-these circuits are electrically separate, but cannot be used on opposite polarities

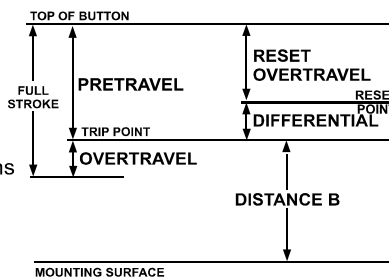
APPROXIMATE DIMENSIONS NOT FOR CONSTRUCTION (Dimensions in mm.)
Operating Data for types JO1 and JO2

TECHNICAL DATA:

Thermal rating 10A
 Operating temperature - 20° to + 70° C
 Storage temperature - 40° to + 70° C
 Transfer time 5 to 6 ms.
 Bounce time 5 ms.
 Repeat Accuracy ± 1/100th
 Mechanical Life 20 million operations
 Tips Nickel Silver Solid

TERMINAL CAPACITY:

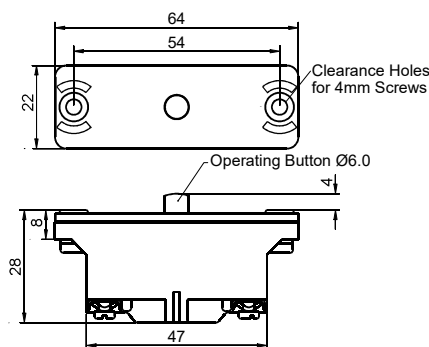
Flexible 2 x 1.5 mm² max.
 Solid 1 x 2.5 mm² max.



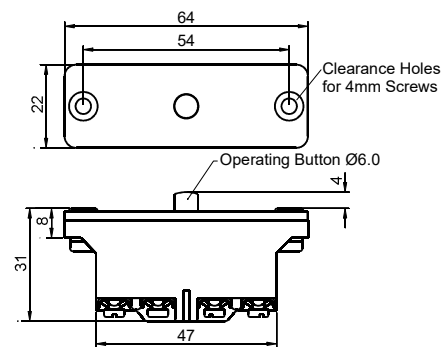
	Type JO1	Type JO2
Pretravel	1.5-1.9	1.5-1.9
Full Stroke	2.6-3.2	2.6-3.2
Differential	0.8-1.2	0.6-1.2
Reset Overtravel	0.4-1.0	0.4-1.2
Distance 'B' From top of button to mounting surface at trip point	2.4-2.0	2.4-2.0
Operating force	0.3-0.4 kg.	0.2-0.4 kg.

SNAP SWITCH DIMENSIONS

APPROXIMATE DIMENSIONS NOT FOR CONSTRUCTION



JO 1



JO 2

LEVER ARM OPERATED

APPROXIMATE DIMENSIONS NOT FOR CONSTRUCTION (Dimensions in mm)

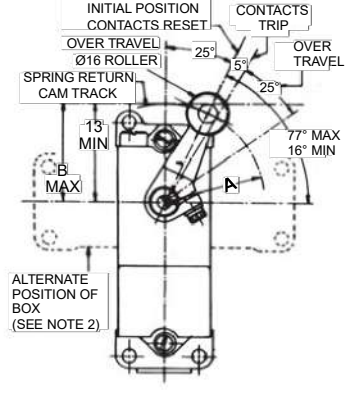
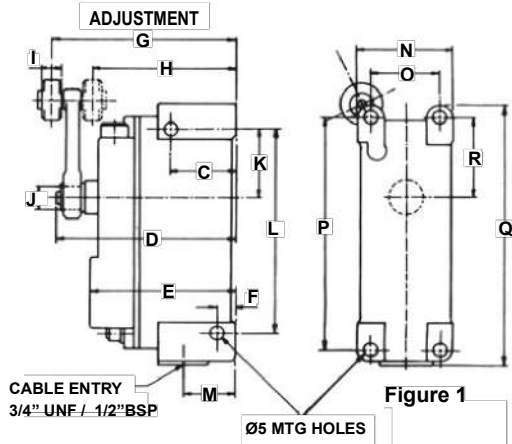


Figure 1 and 2 JW-12, JW-18

A	B	C	D	E	F	G	H	I	J	K	L	M	N	O	P	Q	R
Length of Arm 5 mm	Arm Length Plus 5 mm	24	68	56	5	68 - 70	56 - 58	8	11	23	78	19	37	27	89	98	29

OPERATING TORQUE 3.16 Kg Cm Repeat Accuracy + 0.025 with 35 mm arm.

NOTE 1: For reverse operation place arm and roller in similar position to left of centre line and reverse position of return spring.

NOTE 2: If roller is used in dotted position (side view) it will not pass over cover, and unit must be mounted accordingly.

ROLLER PLUNGER & PUSH ROD PLUNGER OPERATED

APPROXIMATE DIMENSIONS NOT FOR CONSTRUCTION (Dimensions in mm)

SH ROD PLUNGER TYPE-
arm must actuate push rod
line with rod axis. Care
must be taken to avoid
ceding the overtravel

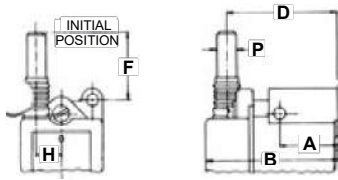


Figure 1 Type JW-42, JW-48

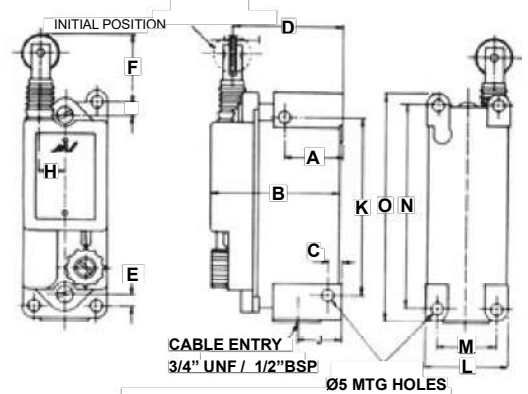
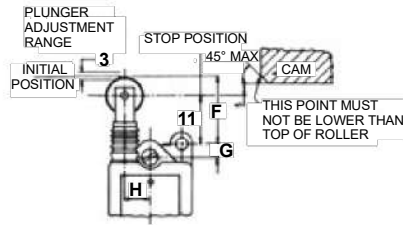
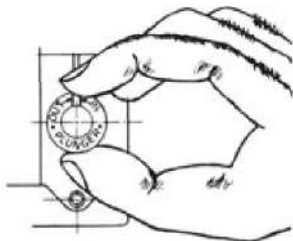
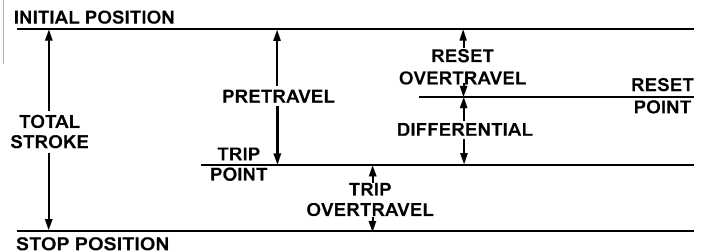


Figure 2 Type JW-32, JW-38



MICRO ADJUSTMENT

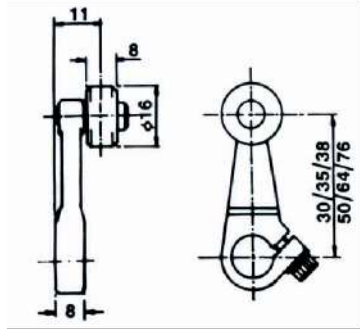
- Pretravel 2mm
- Differential 1mm
- Total stroke 6mm
- Operating force 1.4kg.
- Reset force 0.5kg.
- Reset overtravel 1mm
- Trip overtravel 4mm
- Repeat accuracy + 0.30
- Plus or minus 1.6 mm depending upon setting of plunger adjustment.



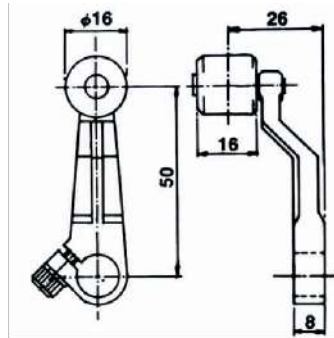
Figures 1 & 2 types JW-32, JW-38, JW-42, JW-48

Type	A	B	C	D	E	F	G	H	I	J	K	L	M	N	O	P
JW-32, JW-38 JW-42, JW-48	24	56	5	46	5	28	6	10	3	19	78	37	27	89	98	8

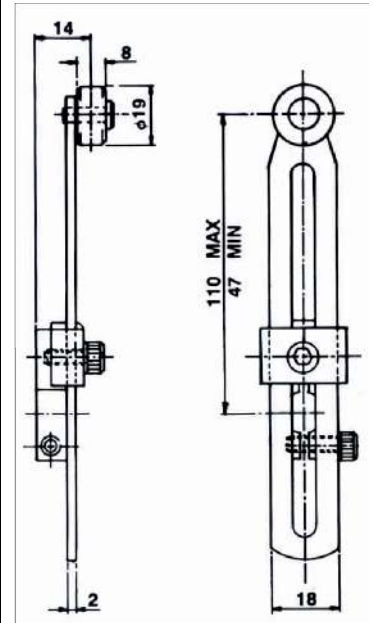
(Dimensions in mm)



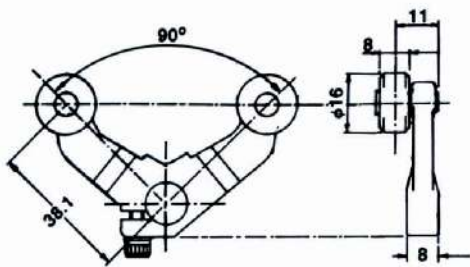
ROLLER LEVER



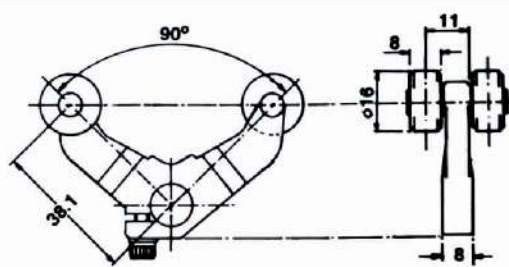
OFFSET LEVER



ADJUSTABLE LEVER



FORK TYPE INLINE ROLLERS



FORK TYPE OFF SET ROLLERS

S.No.	Type	Contacts	Ordering Code	MRP Rs.
1	JW 12 Without lever	1 NO + 1 NC	JW 12	1395
2	JW 12 With 35 mm long lever	1 NO + 1 NC	JW 12	1539
3	JW 12 With 38 mm long lever	1 NO + 1 NC	JW 12	1566
4	JW 12 With 50 mm long lever	1 NO + 1 NC	JW 12	1593
5	JW 12 With 64 mm long lever	1 NO + 1 NC	JW 12	1620
6	JW 12 With 76.2 mm long lever	1 NO + 1 NC	JW 12	1656
7	JW 12 With Adjustable lever	1 NO + 1 NC	JW 12	1674
8	JW 12 With 2" Offset lever	1 NO + 1 NC	JW 12	1719
9	JW 18 Without lever	2 NO + 2 NC	JW 18	1638
10	JW 18 With 35 mm long lever	2 NO + 2 NC	JW 18	1800
11	JW 18 With 38 mm long lever	2 NO + 2 NC	JW 18	1818
12	JW 18 With 50 mm long lever	2 NO + 2 NC	JW 18	1854
13	JW 18 With 64 mm long lever	2 NO + 2 NC	JW 18	1872
14	JW 18 With 76.2 mm long lever	2 NO + 2 NC	JW 18	1917
15	JW 18 With Adjustable lever	2 NO + 2 NC	JW 18	1935
16	JW 18 With 2" Offset lever	2 NO + 2 NC	JW 18	1962
17	Push Rod Button	1 NO + 1 NC	JW 22	1332
18	Push Rod Button	2 NO + 2 NC	JW 28	1593
19	Micro Adjustable Roller Plunger	1 NO + 1 NC	JW 32	1467
20	Micro Adjustable Roller Plunger	2 NO + 2 NC	JW 38	1728
21	Micro Adjustable Push Rod Plunger	1 NO + 1 NC	JW 42	1449
22	Micro Adjustable Push Rod Plunger	2 NO + 2 NC	JW 48	1710

The Above Types of Switches are also available with Gold Plated Contacts (At extra cost)

The Above Types of Switches are also available for High Temperature (150°C) (At extra cost) and with LED Indicator (At extra cost)

JAIBALAJI
CONTROL GEARS PVT. LTD

Post Box No. 27, 89 (New No. 107),SIDCO Industrial Estate,Ambattur, Chennai -600 098. India

Phone: +91 44 26251279 / 26257859 / 26254470 Fax: +91 44 26255038.

E-mail: dchandramohan@jaibalaji.firm.in Web: jaibalaji.in

JAI BALAJI

BC 9

OIL TIGHT LIMIT SWITCHES

IP 67

WITH    MARKS

CATALOGUE CUM PRICE LIST



RECOGNITION OF
Quality Plus

PRICE LIST

Description	Type	Ordering Code	1 NO + 1 NC MRP Rs.	2 NO + 2 NC MRP Rs.
Roller Lever	38mm length	JLSL 1	1485	2376
	76mm length	JLSL 2	1485	2376
	50mm length	JLSL 3	1485	2376
	64mm length	JLSL 4	1485	2376
	50mm Offset	JLSL 0	1548	2556
Adjustable Roller Lever	32 to 82.5mm	JLSL A	1485	2376
Fork Lever	Roller in line	JLSF	1611	2619
	with offset roller	JLSFLO	1647	2655
Top Push	Roller type	JLSTPR	1485	2376
	Button type	JLSTPBA	1485	2376
Side Push	Roller type	JLSSPR	1611	2619
	Button type	JLSSPBA	1611	2619
Cat Whisker	Nylon rod	JLSCW	1485	2376
	Steel rod	JLSJW	1485	2376
Pull cord	Pull cord	JLSPC	2376	3393
Belt sway	Belt sway	JLSBS	2376	3393
Top push Normal Roller	Top push Normal Roller	JLSTNR	1485	2376
General Purpose	Angular Roller Lever	JLSGS	1251	2259
	Ang Metal Roller Lever	JLSGS	1323	2331

Ordering Code for **Maintained Contact Models**

Description	Type	Ordering Code	1 NO + 1 NC MRP Rs.	2 NO + 2 NC MRP Rs.
Roller Lever	38mm length	JLSL-1(M)	1665	2673
	76mm length	JLSL-2(M)	1665	2673
	50mm length	JLSL-O(M)	1737	2745
Adjustable Roller Lever	32 to 82.5mm	JLSLA(M)	1665	2673
Fork Lever	Roller in line	JLSLF(M)	1845	2853
	with offset roller	JLSLFLO(M)	1845	2853
Cat Whisker	Steel rod	JLSJW(M)	1665	2673




The Above Types of Switches are also available with **Gold Plated Contacts** (At extra cost)

The Above Types of Switches are also available for **High Temperature (150°C)** (At extra cost)
and with **LED Indicator** (At extra cost)

Accessory:

Oil tight conduit entry to the limit switch for 3/4" dia 16 TPI BS threads BCCE.

JALIBALJI BC9 OIL TIGHT LIMIT SWITCHES

JAI BALAJI manufactures a wide range of **JAI BALAJI** Limit Switches tested to rigid quality standards. **JAI BALAJI** BC 9 series Limit Switches comply with IS 13947/pt-5/sec-1 of 2004 & IEC 947-5-1 and carry the unique  mark. **JAI BALAJI** Limit Switches are certified by  International Canada and U.S. They also conform to European standard 

FEATURES

JAI BALAJI BC9 Oil Tight Limit Switches

- Completely oil & water tight and dust & damp proof
- Ample wiring space for easy termination
- Flame retardant thermo-plastic barriers between terminals to prevent short-circuit
- Serrated terminals to give firm grip to straighten wire
- Flexibility of replacing complete contact blocks without changing the operating characteristic
- The S.P.D.T twin-break silver contacts provide quick make-and-break action with high contact pressure
- The brass forged lever with steel roller and all stainless steel parts provide high rigidity and corrosion resistance.

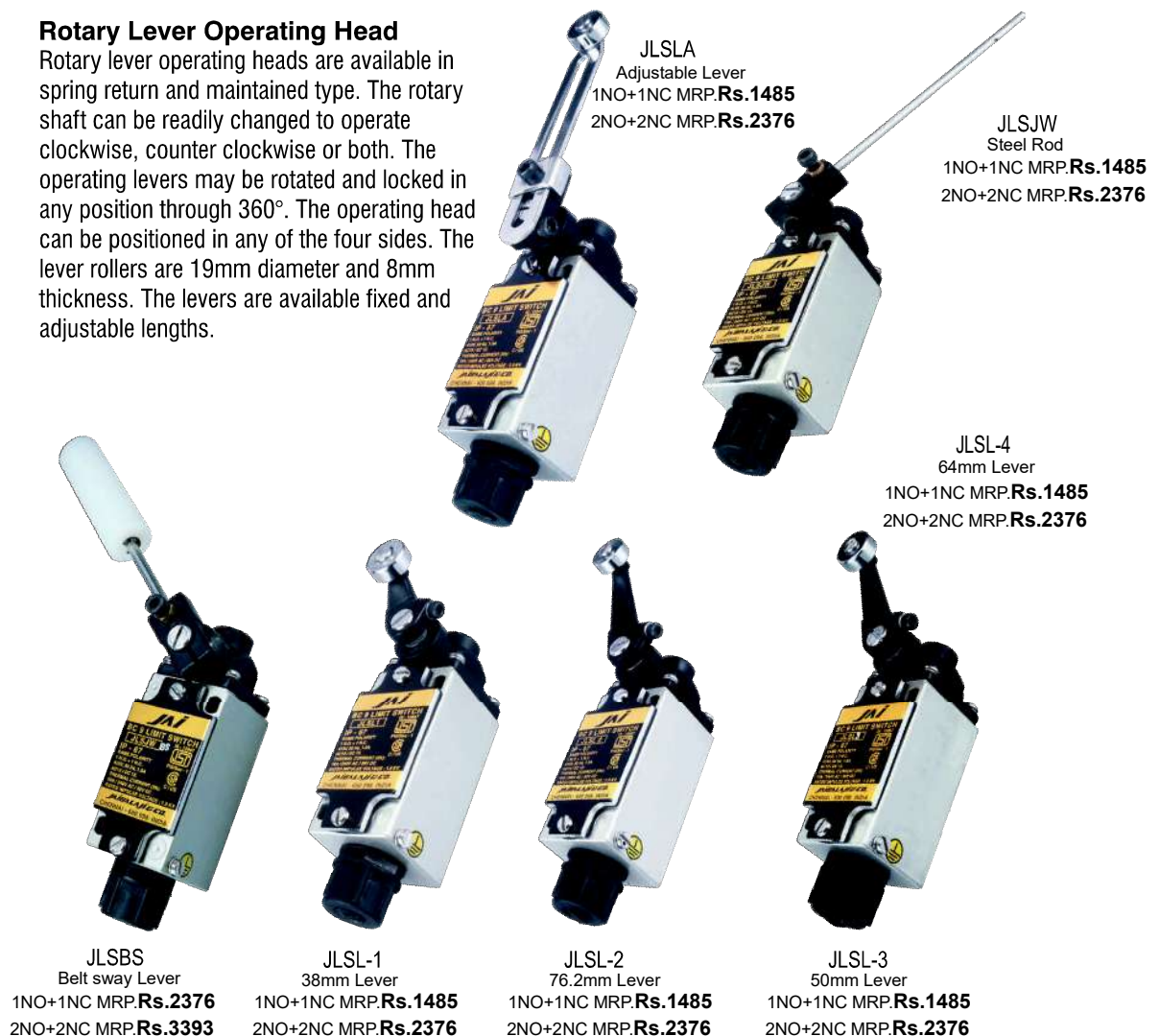
MODELS

JAI BALAJI BC9 Oil Tight Limit Switches

BC 9 JLS type limit switches are available with a variety of operating heads to meet diverse applications

Rotary Lever Operating Head

Rotary lever operating heads are available in spring return and maintained type. The rotary shaft can be readily changed to operate clockwise, counter clockwise or both. The operating levers may be rotated and locked in any position through 360°. The operating head can be positioned in any of the four sides. The lever rollers are 19mm diameter and 8mm thickness. The levers are available fixed and adjustable lengths.



Top Push Operating Head

BC9 Top Plunger limit switches are available in three designs. One has an adjustable top push button which has a hex, bolt and lock nut, the length of which can be adjusted upto 8mm (Adjustment is accomplished by locking the 8mm spanner in the spindle and then by turning the threaded 4mm hex. Head operating plunger and securing it with a lock nut).



JLSTPBA
1NO+1NC MRP.**Rs.1485**
2NO+2NC MRP.**Rs.2376**

JLSTPR
1NO+1NC MRP.**Rs.1485**
2NO+2NC MRP.**Rs.2376**

JLSTNR
1NO+1NC MRP.**Rs.1485**
2NO+2NC MRP.**Rs.2376**

The second type has a steel roller of 11.1 mm diameter and 3.85mm thickness. The top push operating heads are easier to apply because the operating direction and repeat accuracy is less critical.

Side Push Operating Head

Jai BC 9 Side plunger limit switches are in two different designs. One has adjustable push button which can be adjusted upto 8mm (Adjustment is accomplished by locking the 8mm spanner in the spindle and then by turning the threaded 4mm hex. Head operating plunger and securing it with a lock nut).



JLSSPBA
1NO+1NC MRP.**Rs.1611**
2NO+2NC MRP.**Rs.2619**

JLSSPR
1NO+1NC MRP.**Rs.1611**
2NO+2NC MRP.**Rs.2619**

JLSPC
1NO+1NC MRP.**Rs.2376**
2NO+2NC MRP.**Rs.3393**

The second type has steel roller of 12mm diameter and 3.85mm thickness. In our BC 9 Side plunger roller type limit switches there is a provision to change the positioning of the roller plunger from horizontal to vertical position and vice versa by unscrewing the plunger cap nut and it is ready to operate as per the choice

Cat Whisker Operating Head

BC 9 Cat whisker limit switches are available in two designs with 137mm long operating lever. One type consists of 3.2 diameter nylon rod fixed with stainless steel tension spring from the bottom. The second type consists of 6.2 diameter stainless steel tension spring. Both these types can be operated in any direction from the centre.



JLSCW
1NO+1NC MRP.**Rs.1485**
2NO+2NC MRP.**Rs.2376**

Fork Lever Operating Head :

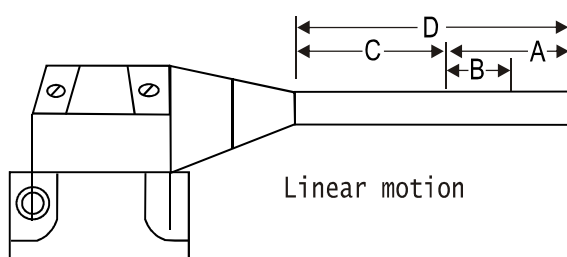
Each of the two arms of length 38mm has a roller of 19mm diameter and 8mm thickness either in line or offset. Available in spring return or maintained type.



JLSF
Fork Roller Lever
1NO+1NC MRP.**Rs.1611**
2NO+2NC MRP.**Rs.2619**

JLSPC WR
1NO+1NC MRP.**Rs.2619**
2NO+2NC MRP.**Rs.3627**

Diagram for Operating Data

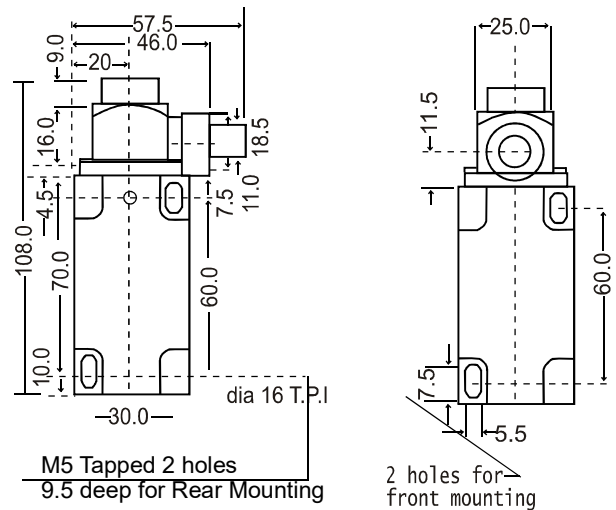


ELECTRICAL & MECHANICAL RATINGS

Utilisation Category AC 15 and DC 13 as per IS/IEC 60947
 Thermal Current (1th) 10A
 Insulation Voltage (Ui) 600 V AC
 ISI Licence No. CM/L-2015427

Operating Current and Voltage

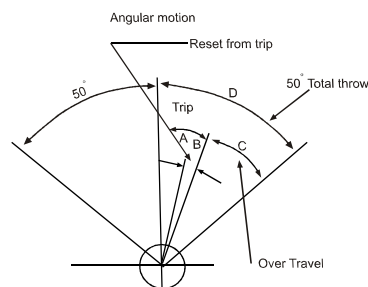
AC 15 rating 6A at 110V; 3A at 220V; 1.5A at 400V; 1.2A at 550V
 DC 13 rating 0.2A at 110V; 0.1A at 220V,
 Contact combination 1 NO + 1 NC SPDT switch change-over contact
 Frequency of operation 2500 operations per hour
 Mechanical life 20×10^6 operations
 Enclosure category Die cast enclosure to IP-67 as per IS 13947 / Pt5 / Sec1 of 2004
 Terminal capacity 2.5mm solid or stranded



Weights

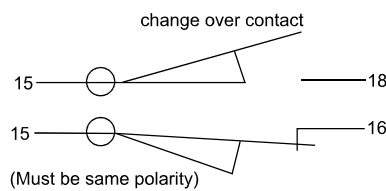
Oil tight limit switches 500 gms approx.
 General purpose limit switches 400 gms approx.

Accessory



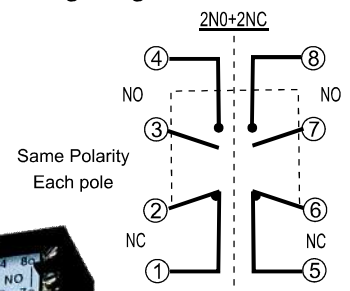
- A Travel to trip
- B Travel to reset from trip point
- C Over travel
- D Total travel

Wiring Diagram: 1NO + 1NC



Basic Switch **BC9E**
1NO+1NC MRP.**Rs.720**

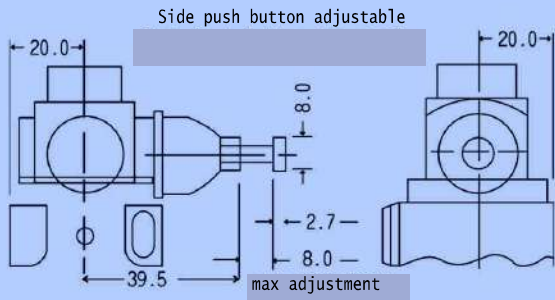
Wiring Diagram: 2NO + 2NC



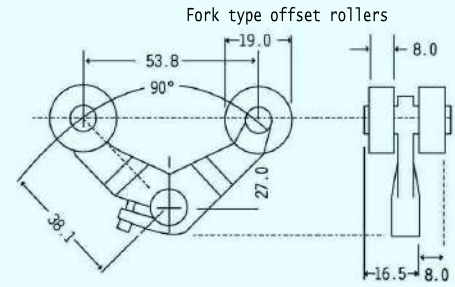
Basic Switch **BC9E**
2NO+2NC MRP.**Rs.1017**

BC 9 Types	JLSL 1 JLSL 2 JLSL A JLSJ W JLSL F JLSLF 0	JLSL 1M JLSL 2M JLSL AM JLSJWM JLSLFM JLSLFOM	JLSTPR JLSTPBA mm	JLSSPR JLSSPBA mm	JLSCW
Travel to trip A	10°	50°+	1.3+	2.0+	20°+
Travel to reset from trip point B	6°	50°+	1.1	1.7	18°+
Over travel C	40°	40°*	5.5	5.1	50°*
Total travel D	50°	90°+	6.8	7.0	25°*
Force to trip (max) kg	1.0	0.5	2.0	2.0	0.285
Force to be applied at a radius of (mm)	28	38	-	-	25.5

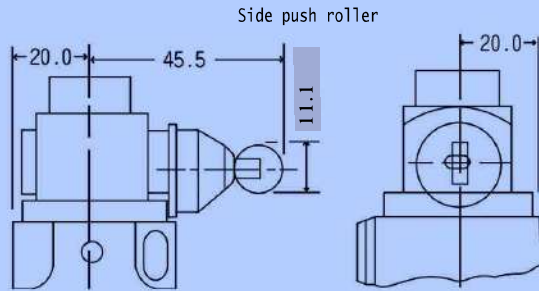
+ Maximum * Minimum



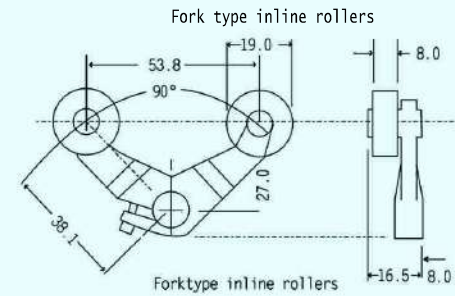
Side push button adjustable



Fork type offset rollers

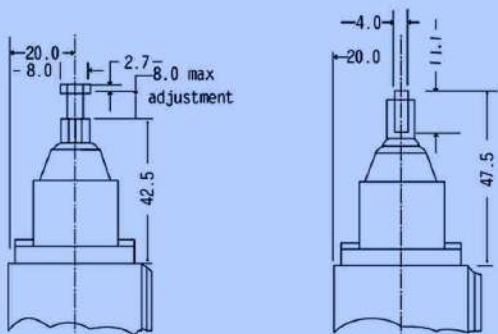


Side push roller



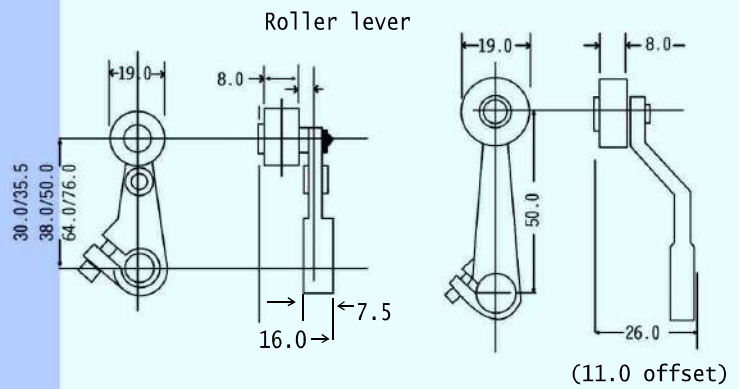
Fork type inline rollers

Forktype inline rollers



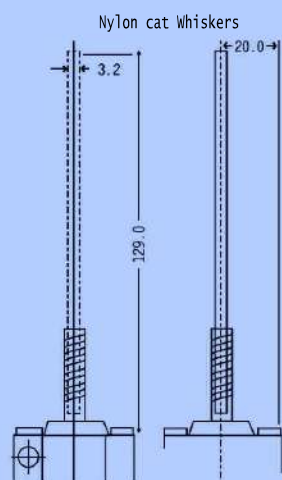
Top push button adjustable

Top push roller

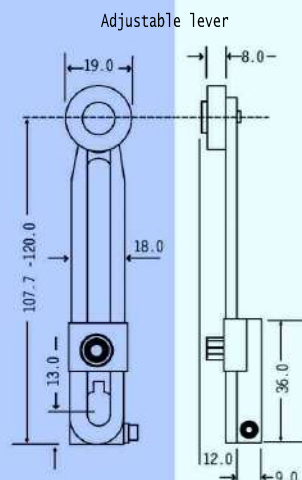


Roller lever

(11.0 offset)

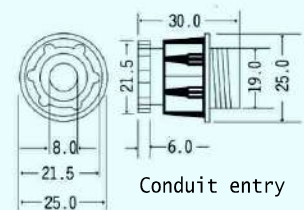


Nylon cat Whiskers



Adjustable lever

Surface mounted side operated



Conduit entry

Manufactured by:

JAIBALAJI
CONTROL GEARS PVT. LTD

Post Bag No. 27,
89 (New No. 107), SIDCO Industrial Estate,
Ambattur, Chennai - 600 098 (India).
Phone: 26251279 / 26257859 / 2625 4470.
Fax: 0091-044-2625 5038.
E-mail: dchandramohan@jaibalaji.firm.in

JAI BALAJI

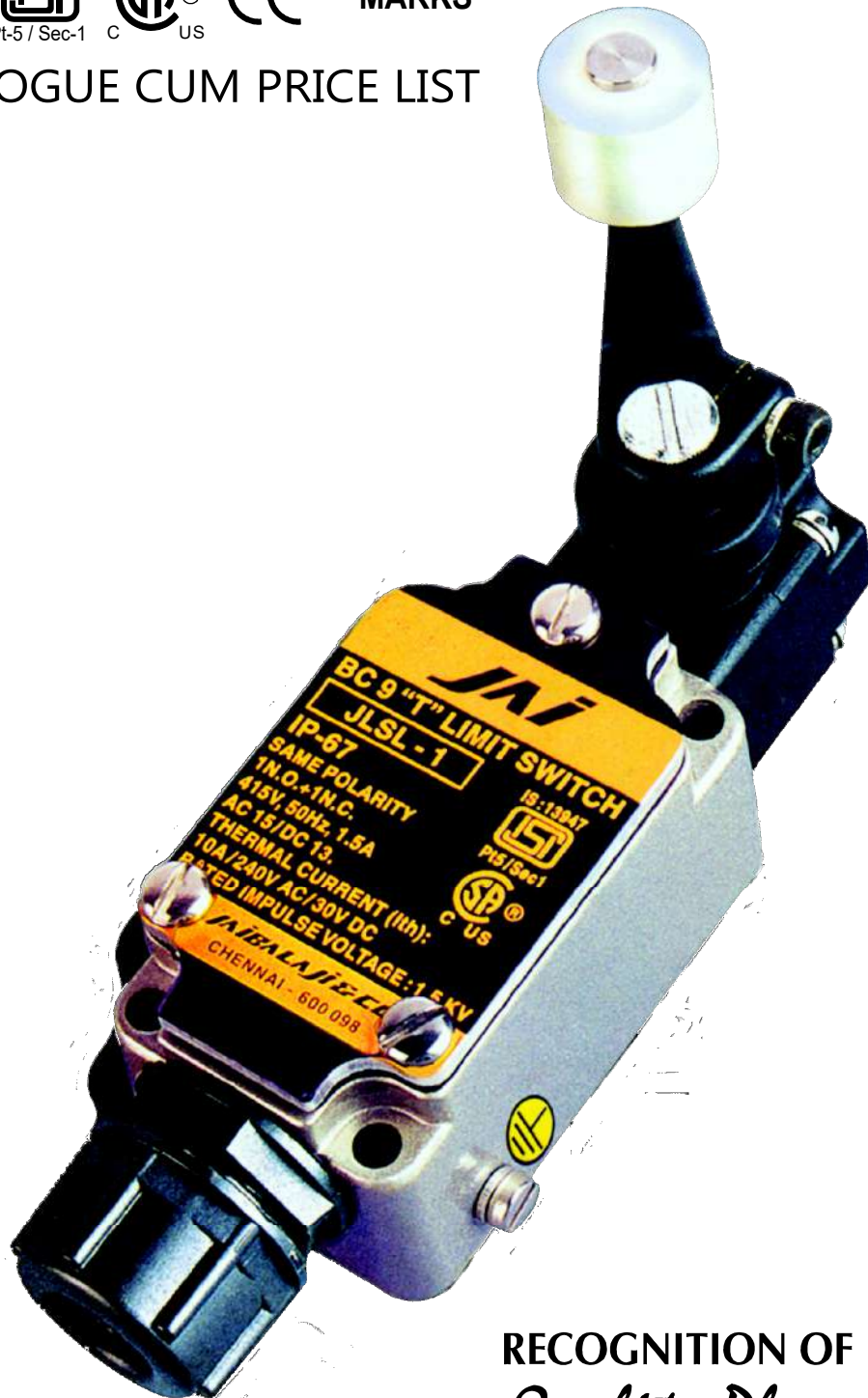
BC 9 'T'

OIL TIGHT LIMIT SWITCHES

IP 67

WITH    MARKS
Pt-5/Sec-1 C US

CATALOGUE CUM PRICE LIST



RECOGNITION OF
Quality Plus

PRICE LIST

Description	Type	Ordering Code	1 NO + 1 NC MRP Rs.
Roller Lever	38mm length	BC9 T JLSL - 1	1359
	76mm length	BC9 T JLSL - 2	1359
	50mm length	BC9 T JLSL - 3	1359
	64mm length	BC9 T JLSL - 4	1359
	50mm Offset	BC9 T JLSL - O	1413
Adjustable Lever	32 to 82.5 mm	BC9 T JLSL - A	1359
Fork Lever	Roller inline	BC9 T JLSF	1548
	with Offset roller	BC9 T JLSFLO	1620
OffsetLever	with 50mm Al roller	BC9 T JLSFLO	1737
Top Push	Roller Type	BC9 T JLSTPR	1359
	Button Type	BC9 T JLSTPB	1359
	Button Adjustable	BC9 T JLSTPBA	1359
Side Push	Roller Type	BC9 T JLSSPR	1467
	Button Adjustable	BC9 T JLSSPBA	1467
Cat Whisker	Nylon Rod	BC9 T JLSNCW	1359
	SS Spring	BC9 T JLSSCW	1386
Side operating	Steel rod	BC9 T JLSJW	1359
	Steel rod Adjustable	BC9 T JLSJWA	1359
	Steel rod 'U' Type	BC9 T JLSUW	1359

The Above Types of Switches are also available with **Gold Plated Contacts** (At extra cost)

The Above Types of Switches are also available with **LED Indicator** (At extra cost)

Ordering code for **Maintained contact models**

Description	Type	Ordering Code	1 NO + 1 NC MRP Rs.
Roller Lever	38mm length	BC9 T JLSL - 1(M)	1530
	76mm length	BC9 T JLSL - 2(M)	1530
Adjustable Lever	32 to 82.5 mm	BC9 T JLSL - A(M)	1530
Fork Lever	Roller inline	BC9 T JLSLF(M)	1710
	with Offset roller	BC9 T JLSFLO(M)	1773
Side operating	Steel rod	BC9 T JLSJW(M)	1530
	Steel rod 'U' Type	BC9 T JLSUW(M)	1530

JALIBALAJI BC9 'T' OIL TIGHT LIMIT SWITCHES

JALBALAJI manufactures a wide range of limit switches tested to rigid quality standards. **JALBALAJI** BC9'T' series Limit switches comply with IS/IEC 60947/pt-5/sec-1 and carry the unique  mark. **JALBALAJI** Limit switches are certified by  International Canada and US. They also conform to European standard 

JALBALAJI BC 9'T' Series Oil Tight Limit Switches Features

Completely oil & water tight and dust & damp proof.
 Ample wiring space for easy termination.
 Flame retardant thermo-plastic barriers between terminals to prevent short-circuit.
 Serrated terminals to give firm grip to straighten wire.
 Flexibility of replacing complete contact blocks without changing the operating characteristics.
 The S.P.D.T twin-break silver contact provides quick make- and- break action with high contact pressure.
 The brass-forged lever with nylon roller & all stainless steel parts provides high rigidity and corrosion resistance.

JALBALAJI BC 9'T' Oil Tight Switches Models

BC 9'T' JLS type limit switches are available with a variety of operating heads to meet diverse applications.

JALBALAJI BC 9'T' Rotary Lever Operating Head

Rotary Lever Operating Heads are available in spring return and maintained type. The rotary shaft can be readily changed to operate clockwise, counter clockwise or both. The operating levers may be rotated and locked in any position through 360. The operating head can be positioned in any of the four sides. The lever rollers are 19mm diameter and 16mm thickness. The levers are available in fixed and adjustable lengths.

JLSJW
Steel Rod
1NO+1NC MRP.**Rs.1359**



JLSUW
1NO+1NC MRP.**Rs.1359**



JLSL-0
Offset Lever
1NO+1NC MRP.**Rs.1413**



JLSL-1
38mm Lever
1NO+1NC MRP.**Rs.1359**



JLSL-2
76.2mm Lever
1NO+1NC MRP.**Rs.1359**



JLSL-A
Adjustable Lever
1NO+1NC MRP.**Rs.1359**



JAIBALAJI BC 9'T' Top Push Operating Heads

BC-9'T' Top Plunger Limit Switches are available in three designs. One has an adjustable top push button which has a hex. bolt and lock nut, the length of which can be adjusted upto 8mm (adjustment is accomplished by locking the 8mm spanner in the spindle and then by turning the threaded 4mm Hex. Head operating plunger and securing it with a lock nut).

The second type has a solid button of 9.5mm without any adjustment.

The third type has a nylon roller of 17mm diameter and 4.7 mm thickness. The top push operating heads are easier to apply because the operating direction and repeat accuracy is less critical.

JLSTPR
Top Push Roller
1NO+1NC MRP.**Rs.1359**



JLSTPB
Top Push Button
1NO+1NC MRP.**Rs.1359**



JLSTPBA
Top Push Adjustable
1NO+1NC MRP.**Rs.1359**



JAIBALAJI BC 9'T' Side Push Operating Head

Jaibalaji BC 9'T' Side Plunger Limit Switches are in two different designs. One has adjustable push button which can be adjusted upto 8mm. (Adjustment is accomplished by locking the 8mm spanner in the spindle and then by turning the threaded 4mm hex. Head operating plungers and securing it with a lock nut).

The second type has Nylon Roller of 17mm diameter and 4.7mm thickness. In our BC 9'T' Side Plunger Roller type Limit Switch there is a provision to change positioning of the Roller Plunger from horizontal to vertical position and vice versa by unscrewing the plunger cap nut and it is ready to operate as per the choice.

JLSSPBA
Side Push Adjustable
1NO+1NC MRP.**Rs.1467**



JLSSPR
Side Push Roller
1NO+1NC MRP.**Rs.1467**



JAIBALAJI BC 9'T' Cat Whisker Operating Head

BC 9'T' Cat Whisker Limit Switches are available in two designs with 137mm long operating lever. One type consists of 3.2 dia Nylon Rod fixed with stainless steel tension spring from the bottom. The second type consists of 6.2 dia stainless steel tension spring. Both these types can be operated in any direction from the centre.

JLSNCW
Nylon Rod
1NO+1NC MRP.**Rs.1359**



JLSSCW
S S Spring
1NO+1NC MRP.**Rs.1386**



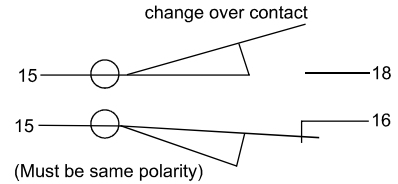
OPERATING CURRENT AND VOLTAGE

AC 15 rating	: 6A at 110 V; 3A at 220V; 1.5A at 400V; 1.2A at 550V
DC 13 rating	: 0.2A at 110V; 0.1A at 220V
Contact combination	: 1 NO + 1 NC SPDT switch change-over contact
Frequency of operation	: 2500 operations per hour
Mechanical life	: 20 X 10 operations
Enclosure Category	: Die cast enclosure to IP-67 as per IS 2147-1962
Terminal Capacity	: 2.5mm ² Solid or stranded

ELECTRICAL & MECHANICAL RATINGS

Utilisation Category	: AC 15 and DC 13 as per IS/IEC 60947 Pt-5/Sec-1
Thermal Current (1th)	: 10A
Insulation Voltage (Ui)	: 600 V AC
ISI Licence No.	: CM/L-2015427

WIRING DIAGRAM



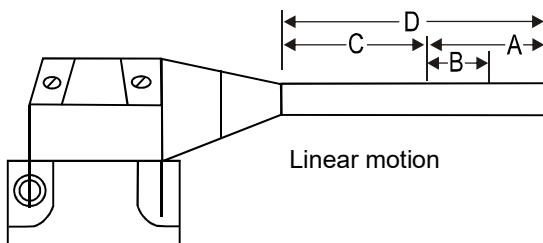
JAIBALAJI BC9'T' Fork Lever Operating Head

Each of the two arms of length 38mm has a roller of 19mm diameter and 16mm thickness either in line or offset. Limit Switches all lever type are available in spring return or maintained type.

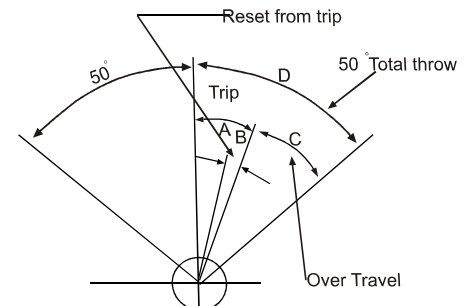


JLSF
Fork type Roller in line
1NO+1NC MRP.**Rs.1548**

Diagram for Operating Data



Angular motion



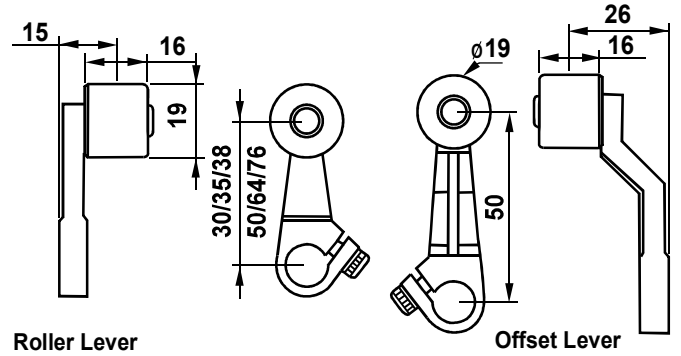
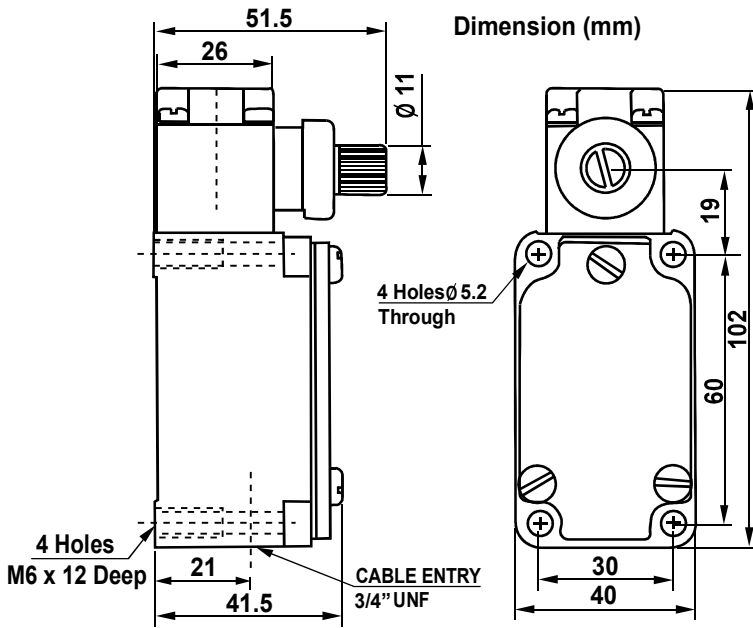
- A Travel to trip
- B Travel to reset from trip point
- C Over travel
- D Total travel

BC-9'T' Types	JLSL 1	JLSL 1M	JLSTPR JLSTPBA JLSTPB	JLSSPR JLSSPBA	JLSNCW JLSSCW JLSCW
	JLSL 2	JLSL 2M			
	JLSL A	JLSL AM			
	JLSJ W	JLSJWM			
	JLSUW	JLSUWM			
	JLSL F	JLSLFM			
	JLSL O	JLSLFOM			
	mm	mm	mm	mm	mm
Travel to trip A	10°	50° +	1.3+	2.0+	20° +
Travel to rest from trip point B	6°	50° +	1.1	1.7	19° +
Over travel C	40°	40° *	5.5	5.1	5° *
Total travel D	50°	90° +	6.8	7.0	25° *
Force to trip (max) Kg	1.0	0.5	2.0	2.0	0.285
Force to be applied at a radius of (mm)	28	38	-	-	25.5

+ Maximum * Minimum

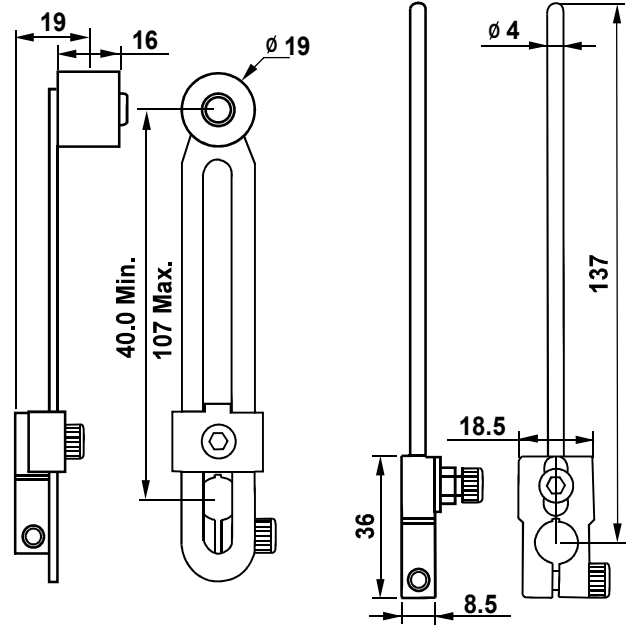
DIMENSIONS (MM)

Dimension (mm)



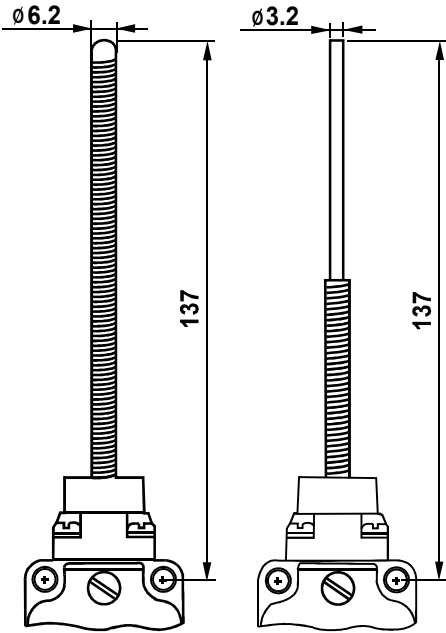
Roller Lever

Offset Lever



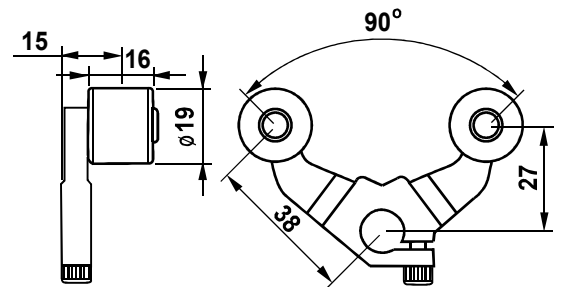
Adjustable Lever

Antenna Type Lever

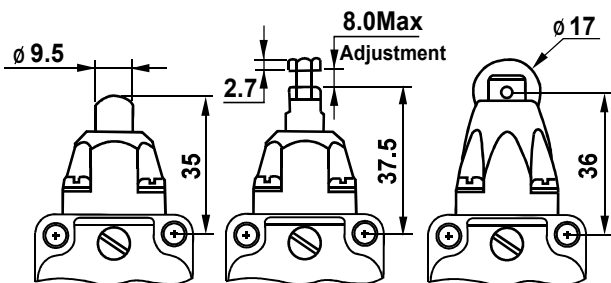


JLSCW

JLSCW (N)



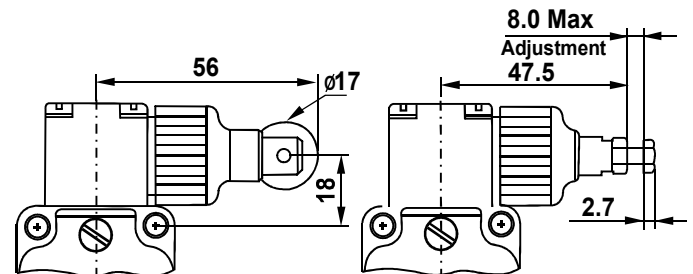
Fork Type Lever



JLSTPB

JLSTPBA

JLSTPR



JLSSPR

JLSSPBA



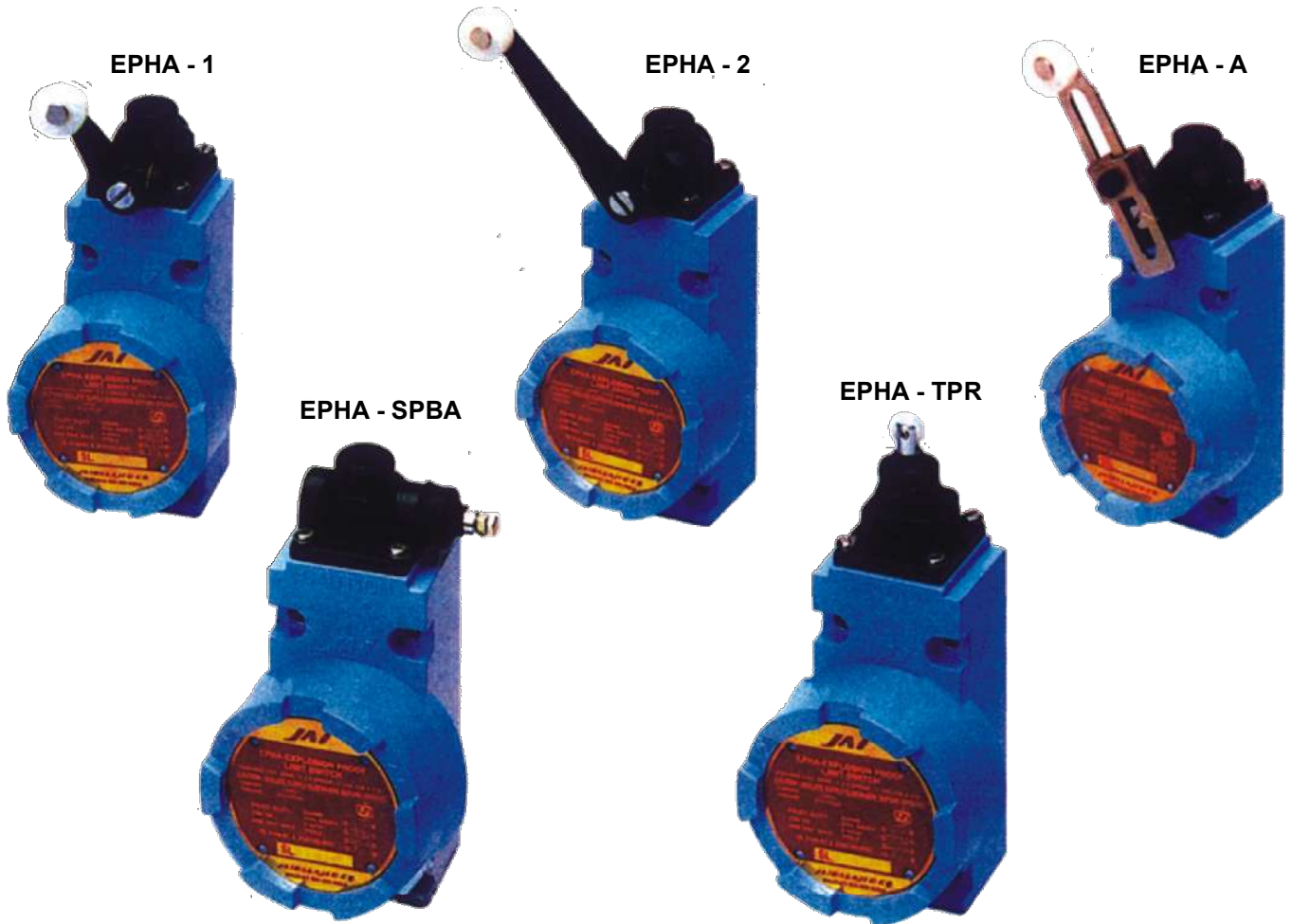
Post Box No. 27, 89 (New No. 107), SIDCO Industrial Estate, Ambattur, Chennai -600 098. India
 Phone: +91 44 26251279 / 26257859 / 26254470 Fax: +91 44 26255038.
 E-mail: dchandramohan@jaibalaji.firm.in Web: jaibalaji.in

JAI BALAJI EPHA LIMIT SWITCHES

WITH **CIMFR** APPROVED FLAME PROOF ENCLOSURE AS PER
CATALOGUE CUM PRICE LIST

IS/IEC 60079-1

CML/3348459



JAI BALAJI offers the EPHA Limit Switches in a Flame Proof Enclosure suitable for use in hazardous atmosphere. The EPHA Type is available in 1NO + 1NC & 2NO + 2NC output

JAIEPHA Limit Switches are for use either indoor or outdoor in hazardous atmospheres, as they are completely sealed Flameproof device

Mounting holes are provided for front or rear mounting, making the switch interchangeable with other Flameproof Switches.

Various types of heads to suit in any type of cam and application.

Flameproof Enclosure confirms to
IS/IEC : 60079-1
Zone 1 & 2 Group IIA , IIB , & IIC

Test Report No.KLPL / EX / R / 17-001 25.4.2017
CCE No. : A/P / HQ / TN / 104 / 5554 (P407854) For IIA & IIB
CIMFR / TC / P / H 13 Dt.18.4.2016

Test Report No.KLPL / EX R / JCPL-17/002 25.4.2017
CCE No. : A/P / HQ / TN / 104 / 5554 (P407854) For IIC
CIMFR / TC / P / H 16 Dt.19.4.2016

- * Non Sparking Actuators
- * Six Types of Operating Heads
- * Rotatable Operating Heads
- * Operates up to 121° C
- * Ample Wiring Space
- * Multiple Contacts
- * Compact Machine Tool Type
- * Flexibility of Motion

GENERAL INFORMATION

JAIEPHA switches feature the smallest housing available in India for use in hazardous locations. Flame paths within the housing cool exploding gases below the kindling temperature before they reach to explosive gases surrounding the housing.

SEALS

Application proven heavy duty limit switch head seals are retained to seal the top of the JAIEPHA. The circular cover on the front is easily unscrewed to expose the switching elements for wiring or replacement. A screw driver or bar used on the wrenching lugs extending from the front of the cover allows easy removal or tightening. An 'O' ring seal is located between the housing and cover, flame paths are provided by the cover housing threads and an extended plunger between the switch cavity and head.

INTERCHANGEABILITY

JAIEPHA Flameproof limit switches are interchangeable with any standard heavy duty limit switch with a adapter plate. JAIEPHA has a recessed back into which the adapter plate fits and mounts using two screws.

JAIEPHA MODELS

JAIEPHA type limit switches are available with a variety of operating heads to meet diverse applications.

PRICE LIST

DESCRIPTION	TYPE	ORDERING CODE	GROUP IIA & IIB		GROUP IIA,IIB & IIC	
			1NO+1NC	2NO+2NC	1NO+1NC	2NO+2NC
			MRP Rs.	MRP Rs.	MRP Rs.	MRP Rs.
Roller Lever	38 mm length	EPHA - 1*	4077	5256	6426	7173
	76 mm length	EPHA - 2*	4077	5256	6426	7173
	50 mm length	EPHA - 3*	4077	5256	6426	7173
	64 mm length	EPHA - 4*	4077	5256	6426	7173
	50 mm (Offset)	EPHA - O*	4077	5256	6426	7173
Adjustable Roller Lever	47 to 75 mm	EPHA - A*	4077	5256	6426	7173
Antenna Type Lever	134 mm length	EPHA - JW*	4077	5256	6426	7173
Fork Lever	Roller in line	EPHA - F*	4077	5256	6426	7173
	With Offset Roller	EPHA - FO*	4077	5256	6426	7173
Top Push	Roller type	EPHA - TPR	4077	5256	6426	7173
	Button type	EPHA - TPBA	4077	5256	6426	7173
Side Push	Roller type	EPHA - SPR	4077	5256	6426	7173
	Button type	EPHA - SPBA	4077	5256	6426	7173
*Maintained Contact for Lever Type Only (Add M as suffix to code while ordering)			4266	5418	6615	7362

ROTARY LEVER OPERATING HEADS

They are available in spring return and maintained type. The rotary shaft can be readily changed to operate clockwise, counter clockwise or both. The operating levers may be rotated and locked in any position through 360°. The operating head can be positioned in any of the four sides. The lever rollers are 19mm diameter and 8mm width. The levers are available in fixed and adjustable lengths.

FORK LEVER OPERATING HEADS

Each of the two arms of the length 38mm has a roller either inline or offset. Available in spring return or maintained type.

TOP PUSH OPERATING HEADS

They are available in two designs. One has an adjustable push button, the length of which can be adjusted up to 8 mm. (Adjustment is accomplished by turning the threaded hexagon head of operating plunger and securing it with a lock nut). The second type has a roller 11.1 mm dia. The top push roller is easier to apply because the direction of operating and repeat accuracy is less critical.

SIDE PUSH OPERATING HEADS

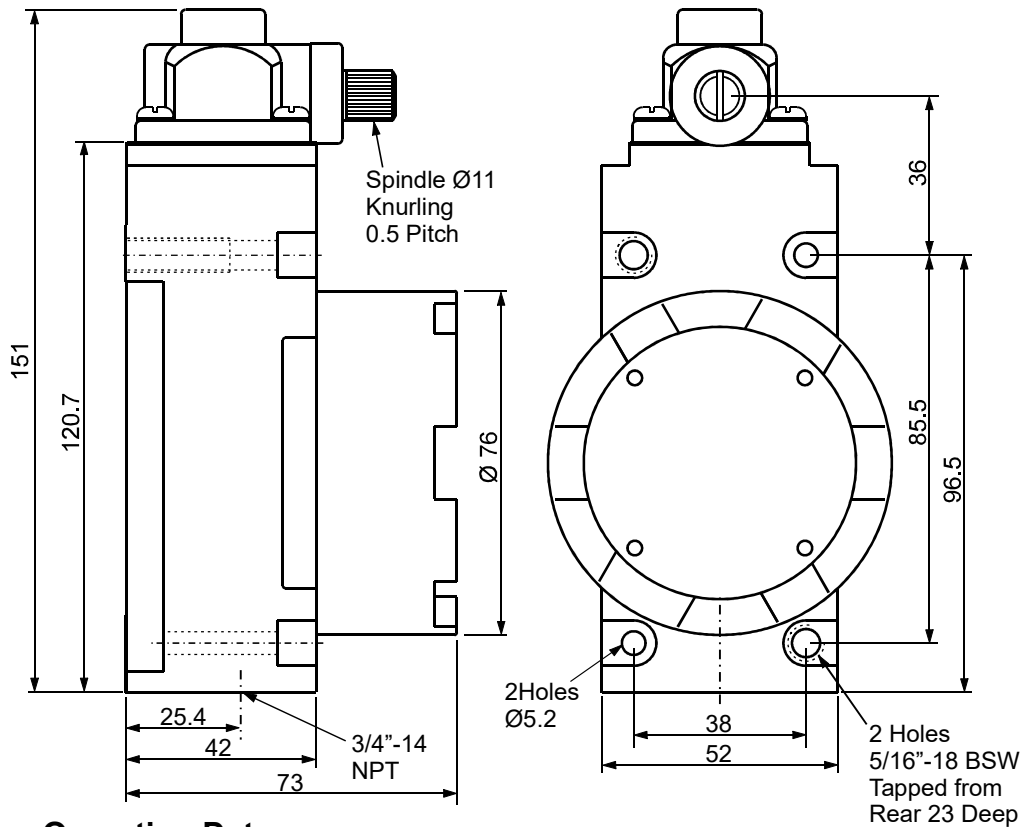
These heads are also available with an adjustable push button alternatively a roller of 11.1 mm dia. These are designed for small space and lower travel application where the actuator travel is perpendicular to the switch.

CABLE ENTRY

Cable entry available either in 1/2" NPT or 3/4" NPT or 1/2"BSPT

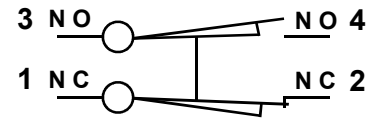
Dimensions (mm)

Lever Type Limit Switch



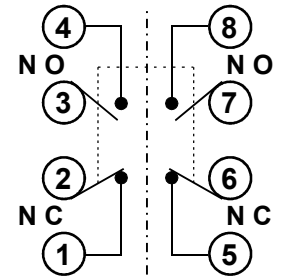
Wiring Diagram

1 NO + 1 NC



Wiring Diagram

2 NO + 2 NC



Operating Data

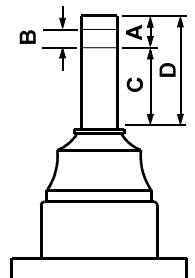
MODELS	EPHA 1 EPHA 2 EPHA 3 EPHA 4 EPHA O EPHA F EPHA FO EPHA A EPHA JW	EPHA 1M EPHA 2M EPHA 3M EPHA 4M EPHA OM EPHA FM EPHA FOM EPHA AM EPHA JWM	EPHA TPR EPHA TPBA (mm)	EPHA SPR EPHA SPBA (mm)
Travel to Trip A	10°	50°+	1.3+	2.0+
Travel to reset from trip point B	6°	50°+	1.1	1.7
Over travel C	60°	40°*	5.7	5.0
Total travel D	70°	90°+	7.0	7.0
Force to trip (max) kg	-	-	2.0	2.0
Operating Torque (max) kgfm	0.046	0.02	-	-

Characteristics

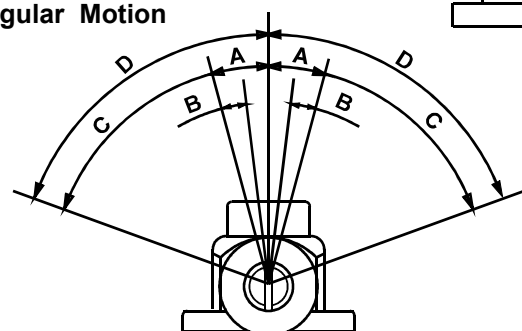
+ Maximum * Minimum

- Contact Material : Silver
- Electrical Data : 10A - 120, 240, 480
(Maximum available) or 600 V AC
- Performance : As per IS/IEC 60079 -1
- Temperature Range : -12° C to 121° C
- Sealing : IS: 12063 -1987
- Housing Material : Aluminium
- Frequency of Operation : 2500 operations per hour
- Mechanical Life : 10 X 10⁶ operations
- Terminal capacity : 1.5 Sq. mm
- Weight : 700 gms approx.

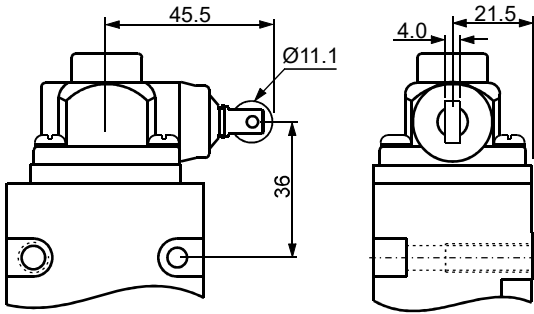
Linear Motion



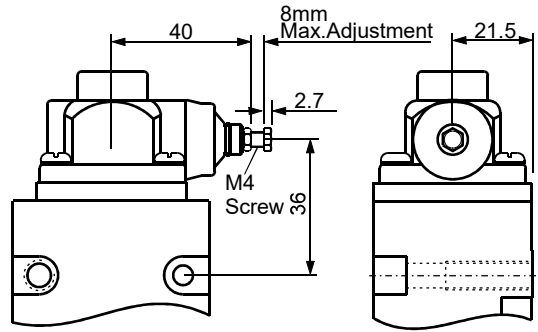
Angular Motion



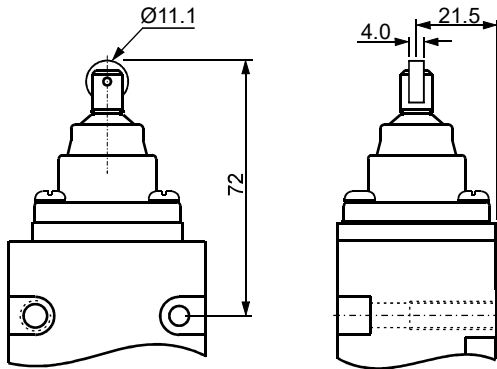
Side Push Roller



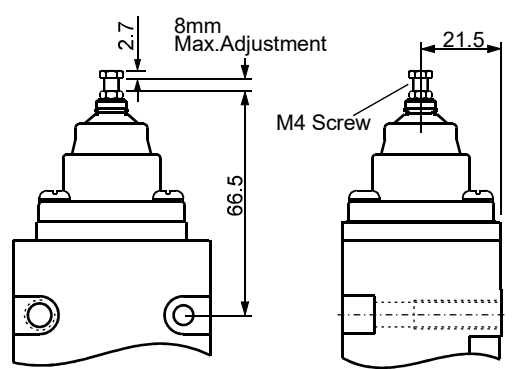
Side Push Button Adjustable



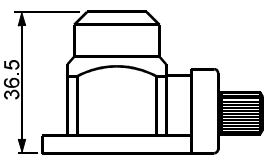
Top Push Roller



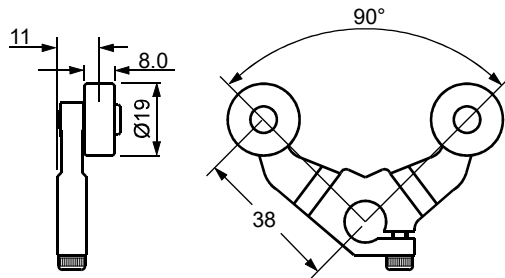
Top Push Button Adjustable



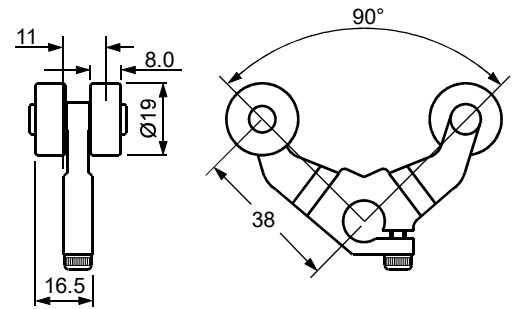
Head for Maintained Contact



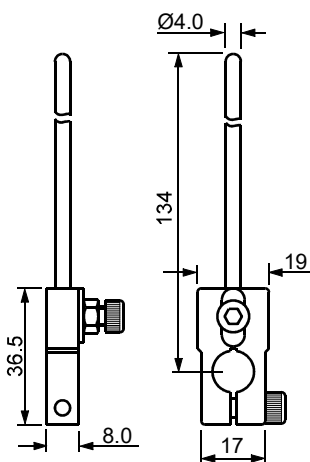
Fork Type Inline Rollers



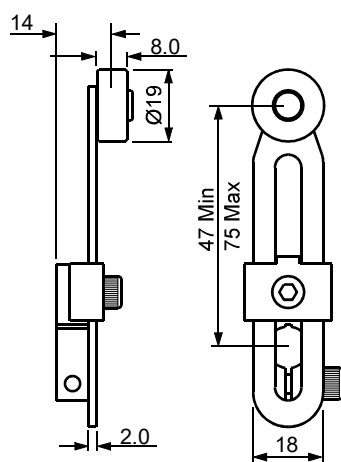
Fork Type Offset Rollers



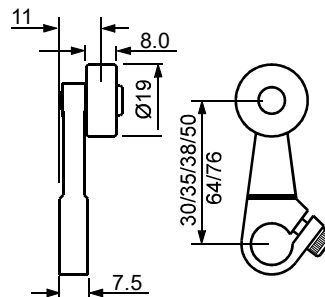
Antenna Type Lever



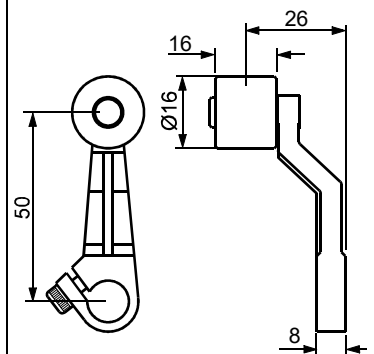
Adjustable Lever



Roller Lever



Offset Lever



Manufactured by:

JAIBALAJI
CONTROL GEARS PVT. LTD

Post Box No. 27, 89 (New No. 107),SIDCO Industrial Estate,Ambattur, Chennai -600 098. India

Phone: +91 44 26251279 / 26257859 / 26254470 Fax: +91 44 26255038.

E-mail: dchandramohan@jaibalaji.firm.in Web: jaibalaji.in

JAIBALAJI

LIMIT SWITCHES WITH   MARKS

CATALOGUE CUM PRICE LIST



JC - 1125 HEAVY DUTY LIMIT SWITCHES

CONFORMS TO IS/IEC:60947 Pt.5 Sec 1

- **TWENTY-FIVE CIRCUIT OPTIONS**
- **25 A 600 V A.C. OR D.C.**
- **70° OVERTRAVEL IN BOTH DIRECTIONS**
- **IP 67 PROTECTION**
- **OPERATES UP TO 107° C**
- **IDEAL FOR APPLICATION REQUIRING EXTRA HEAVY INDUSTRIAL DUTY CONTACT RATINGS**
- **HIGHER OPERATING AND RESET FORCES**
- **RUGGED MECHANICAL CONSTRUCTION**
- **WILL WITHSTAND HOT FALLING SAND UPTO 300° F**
- **FOR ROUGH FOUNDRY APPLICATIONS AND HEAVY MACHINE TOOL, CONVEYOR, MILLS, FOUNDRIES, HEAVY BOILERS.**
- **ACTUATION MODE CONVERSION FACILITY FOR LEFT-HEND, RIGHT-HAND OR MAINTAINED CONTACT ACTION. PLUS A COMPREHENSIVE SELECTION OF OPERATING LEVERS.**

Model JC-1125 Heavy Industrial duty Limit switch **providing twenty five switching arrangements** from eleven standard types. Actuation mode conversion facility for left-hand, right-hand or maintained contact action. **Rating up to 25A lth 600V AC or DC** plus a comprehensive selection of operating levers.

Eleven standard switch types can be converted on site to provide for a total of twentyfive contact or circuit arrangements (as shown below).

Ordering reference model	contact arrangement (arrow indicated direction of lever movement)	Standard model conversion required	Operating data (refer to table, above)	Switch description (viewed from the front of switch).	MRP Rs
JC - 1125 BMK 9	(A)	As supplied	Data A	Snap action, Spring return Contacts: 1 n.c., 1 n.o. CW operation to 1 n.o. 1 n.c.	4725
	(B)	Revers return spring	Data A	Snap action, Spring return Contacts: 1 n.o., 1 n.c. CCW operation to 1 n.c. 1 n.o.	4725
	(C)	Remove return spring	Data A and Note 2 above	Stay-put action Contacts: CCW position 1 n.c. 1 n.o. or CW operation to 1 n.o. 1 n.c.	4725
JC - 1125 BMK 18	(A)	As supplied	Data A	Snap action, Spring return Contacts: 2 n.o. CW operation to 2 n.c.	4977
	(B)	Revers return spring	Data A	Snap action, Spring return Contacts: 2 n.c. CCW operation to 2 n.o.	4977
	(C)	Remove return spring	Data A and Note 2 above	Stay-put action Contacts: CCW position 2 n.o. or CW operation to 2 n.c.	4977
JC 1125 BMK 27	(A)	As supplied	Data A	Snap action, Spring return Contacts 2 n.o. CCW operation to 2 n.c.	5175
	(B)	Revers return spring	Data A	Snap action, Spring return Contacts 2 n.c. CW operation to 2 n.o.	5175
	(C)	Remove return spring	Data A and Note 2 above	Stay-put action Contacts: CCW position 2 n.c. or CW position 2 n.o.	5175
JC - 1125 BMK 36	(A)	As supplied	Data A	Snap action, Spring return Contacts 1 n.c. and 2 n.o. CW operation to 1 n.o., 2 n.c.	5076
	(B)	Revers return spring	Data A	Snap action, Spring return Contacts 2 n.c. and 1 n.o. CCW operation to 2 n.o., 1 n.c.	5076
	(C)	Remove return spring	Data A and Note 2 above	Stay-put action Contacts: CCW position 1 n.c. 2 n.o. CW operation to 1 n.o. 2 n.c.	5076
JC 1125 BMK 45	(A)	As supplied	Data A	Snap action, Spring return Contacts 2 n.o. and 1 n.c. CW operation to 2 n.c., 1 n.o.	5175
	(B)	Revers return spring	Data A	Snap action, Spring return Contacts 2 n.c. and 1 n.o. CCW operation to 2 n.o., 1 n.c.	5175
	(C)	Remove return spring	Data A and Note 2 above	Stay-put action Contacts: CCW position 2 n.c. 1 n.o. or CW position to 2 n.o., 1 n.c.	5175
JC 1125 BMK 54	(A)	As supplied	Data B and Note 2 above	Slow-make and break spring return Contacts : 2 n.o. CW operation to 1 n.o. 1 n.c. or CCW operation to 1 n.o., 1 n.c.	4977
	(B)	Add two jumper wires	Data B and Note 2 above	Slow-make and break spring return Contacts: 1 n.o. CW or CCW operation to 1 n.c.	4977
JC 1125 BMK 63	(A)	As supplied	Data B and Note 2 above	Slow-make and break spring return Contacts : 2 n.c. CW operation to 1 n.o. 1 n.c. or CCW operation to 1 n.c., n.o.	4977
	(B)	Add two jumper wires	Data B and Note 2 above	Slow-make and break spring return Contacts: 1 n.c. CW or CCW operation to 1 n.o.	4977
JC 1125 BMK 72	(A)	As supplied	Data C and Note 2 above	Snap-action spring return Contacts : 2 n.o. CW operation to 1 n.o. 1 n.c. or CCW operation to 1 n.c., 1 n.o.	5175
	(B)	Add two jumper wires	Data C and Note 2 above	Snap-action, spring return Contacts: 1 n.o. CW or CCW 1 n.c.	5175
JC 1125 BMK 81	(A)	As supplied	Data C and Note 2 above	Stay-put action Contacts : 2 n.o. CW operation to 1 n.o. 1 n.c. or CCW operation to 1 n.c., 1 n.o.	5175
	(B)	Add two jumper wires	Data C and Note 2 above	Stay-put action Contacts: 1 n.o. CW or CCW operation to 1 n.c.	5175
JC 1125 BMK 90	(A)	As supplied	Data B and Note 2 above	Slow-make and break, spring return Contact : 2 n.o. 1 n.c. CW operation to 1 n.o. 2 n.c. or CCW operation to 1 n.c., 2 n.o.	5175
JC 1125 BMK 99	(A)	As supplied	Data B and Note 2 above	Slow-make and break, spring return Contact : 1 n.c., 2 n.o. CW operation to 2 n.o. 1 n.c. or CCW operation to 2 n.c., 1 n.o.	5175

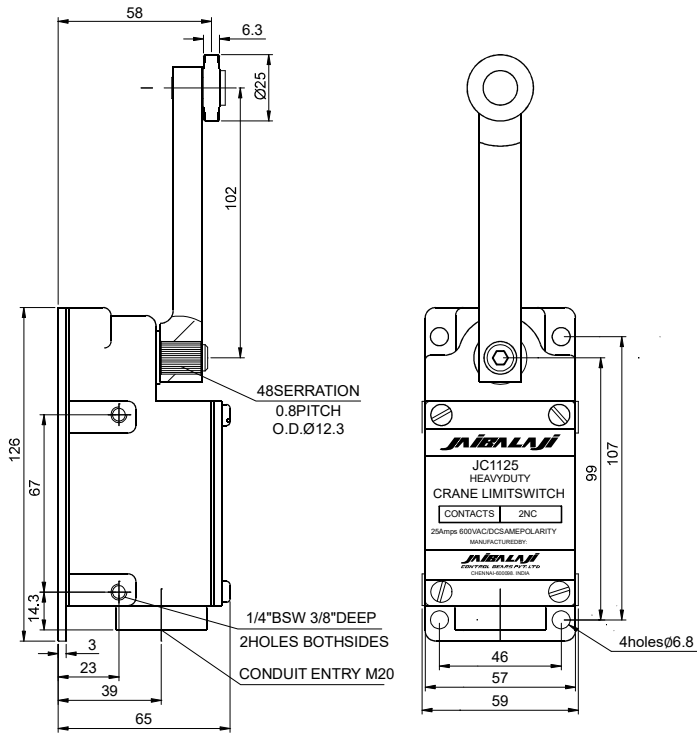
How to order your limit switch

When ordering, quote the following :
Switch order reference. Lever reference.
Back mounting plate style number.

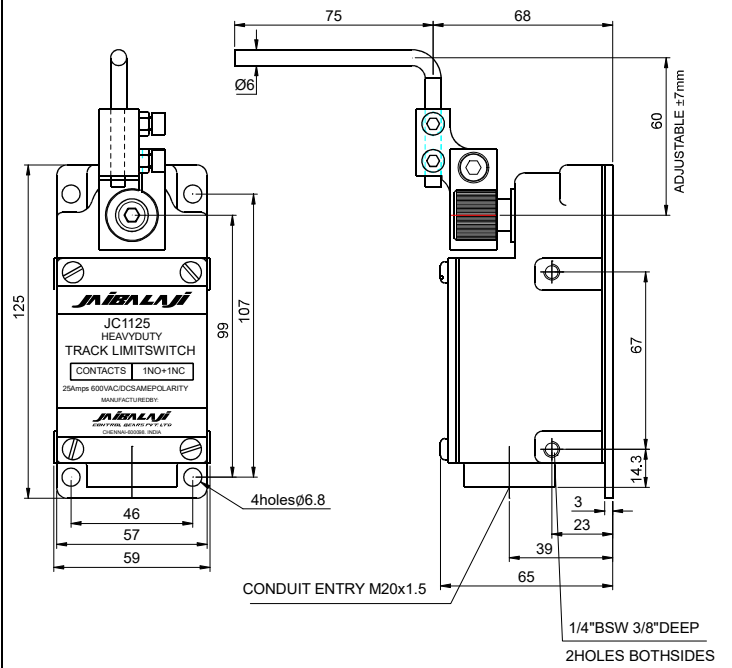
The Above Rates are with
Style 'A' Operating lever

(Other than Style 'A' Operating Lever,
lever cost will be extra)

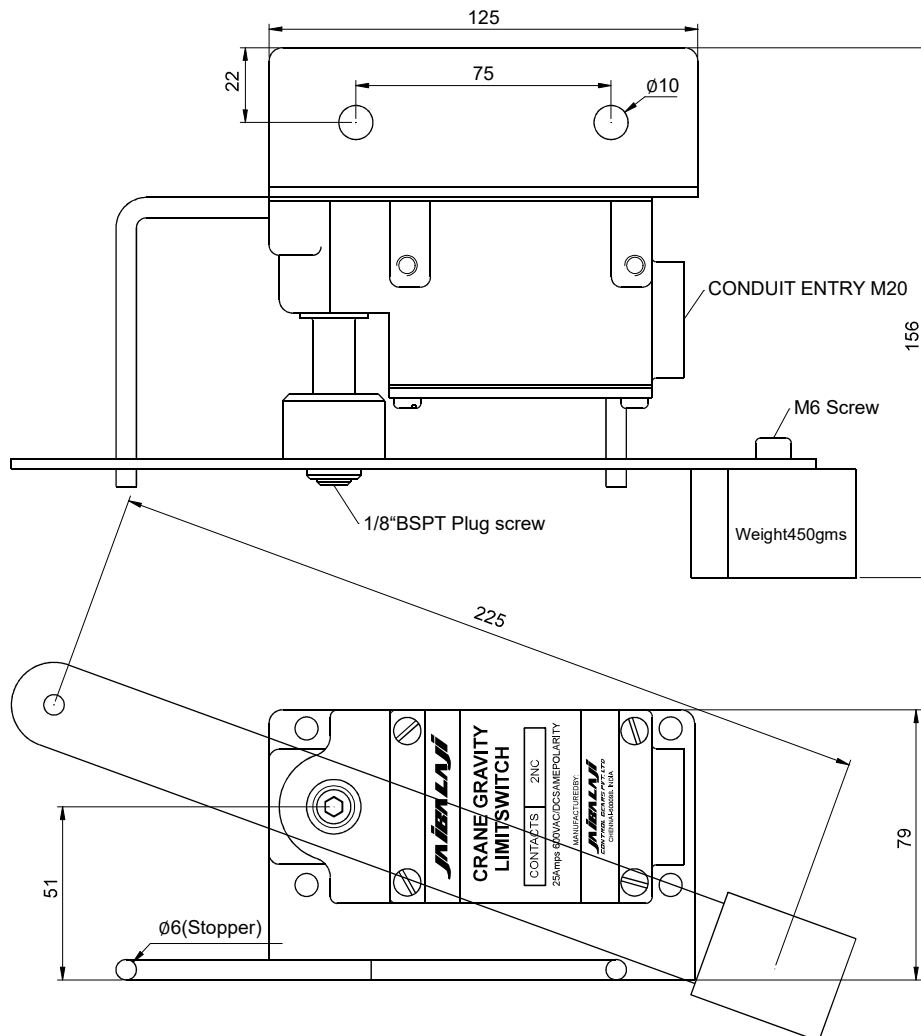
CRANE LIMIT SWITCH



TRACK LIMIT SWITCH



GRAVITY CRANE LIMIT SWITCH



Operating levers

Lever	Length (mm)	MRP Rs.
Style A		
AA	38	900
AAI (2.5,4 mm roller)	38	864
AB	76	981
AC	32	774
AD	45	900
AH	51	927
AL	89	1017
AM	102	1044
AO	64	963



Style F		
FG	64	1377
F1	76	1476



Style LA		
LAA 1	38	1386
LAH 1	51	1476
LAO 1	64	1566



Style R		
R (hub)		1422
R9 (rod)		1422



Style V		
VA		1566



Adjustable Lever
(Adj from 50mm to 160mm) MRP Rs. 1710

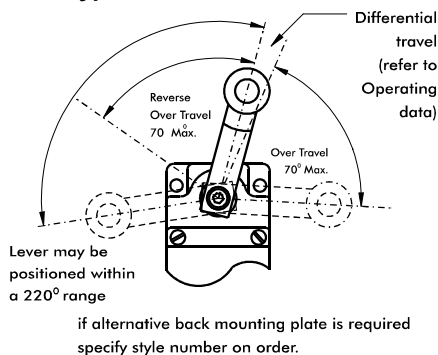
Antenna Lever MRP Rs. 1728

Beltsway Lever MRP Rs. 1746

Knife type Lever MRP Rs. 1773

Fork type Lever MRP Rs. 1818

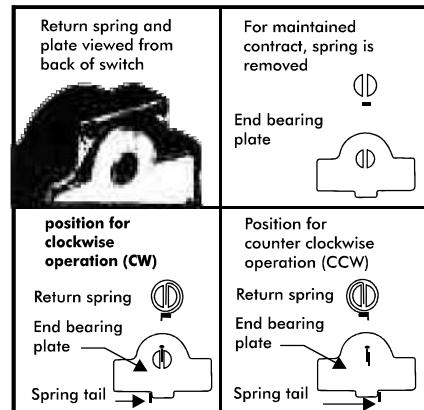
"L" type Lever MRP Rs. 1818



Actuation mode conversion

Conversion is accomplished by reversal of lever return spring located below the back cover and shaft end bearing plate.

For maintained contact the spring is removed always replace bearing plate.



General data

Contact material	silver
Mechanical life	10X10 ⁶
Terminal type	Screw clamp
Cable capacity (mm ²)	1X2.5 mm ²
Ambient temperature range	0°C To 107°C
Minimum storage temperature	-35°C
Maximum relative humidity	90% RH

Contact ratings

Make and break

Voltage (V)	Break (A)				Inductive make (A)
	a.c.	d.c.	a.c.	d.c.	
115	6	2	30	5	60
250	3	1	15	2	30
440	1.5	0.48	7.5	1	15
600	1.2	0.4	6	0.8	12

Continuous : 25 A 600V a/c. / d.c. (two circuit switches)

Note : Three circuit Switches rated to 300 V

Operating data

Contact arrangement	A	B	C
Differential travel (deg)	11±2	4max	4max
Total travel both directions (deg)	75	75	75
Recommended operational travel (deg)	20-35	10-25	10-25
Repetitive accuracy each switch (deg)	±0.03	-	±0.03
Actuating torque maximum (kgf m)	0.108	0.068	0.094
With maintained contact (kgf m)	0.032	-	0.032

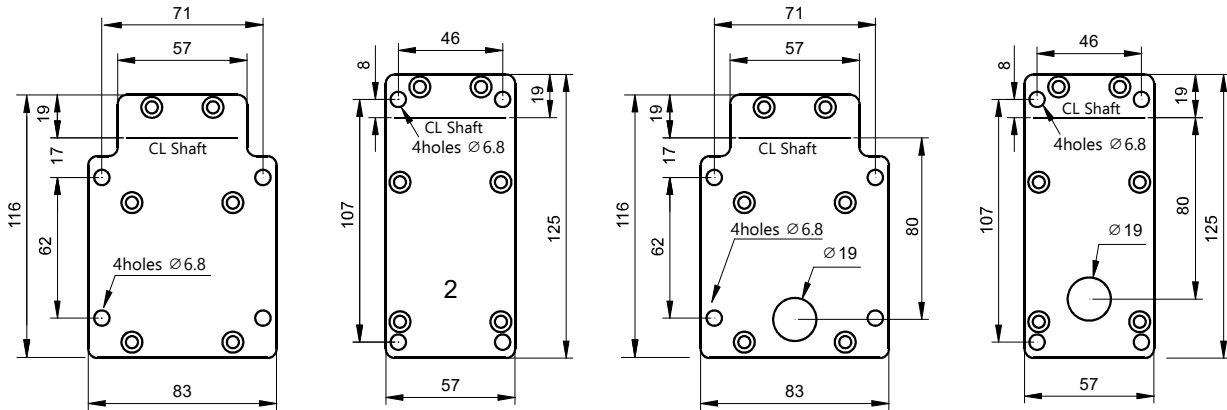
Note 1 : All order references are for switches with metric threads.

Note 2 : Lever must not be allowed to snap back freely any over-travelled position with this contact arrangement.

JC - 1125

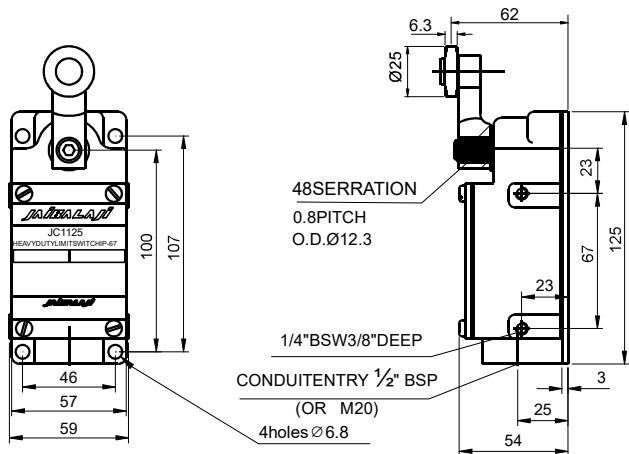
APPROXIMATE DIMENSIONS NOT FOR CONSTRUCTION (DIMENSIONS IN M.M.)

Back mounting plates



Switch

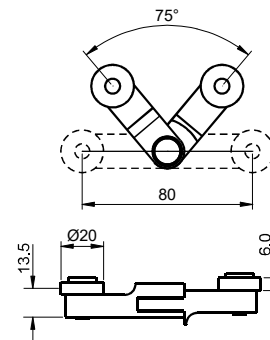
Switch shown fitted with standard style 2 mounting plate



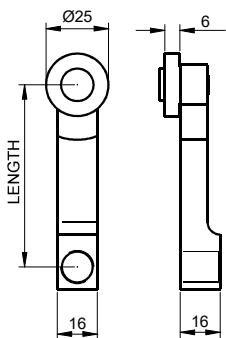
Levers

STYLE V

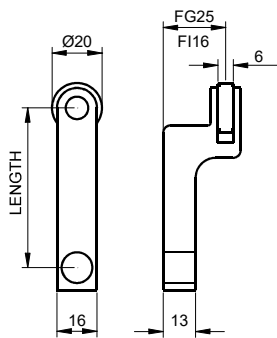
Adjustable from 75° to 180° in increments of 7 1/2°



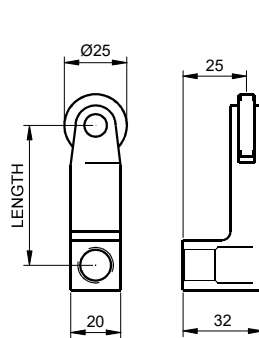
STYLE A



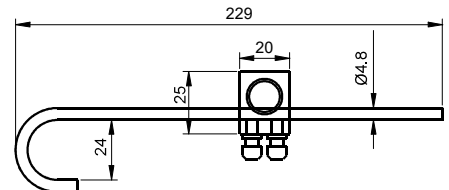
STYLE F



STYLE LA



STYLE R



MANUFACTURED BY :

JAIBALAJI
CONTROL GEARS PVT. LTD

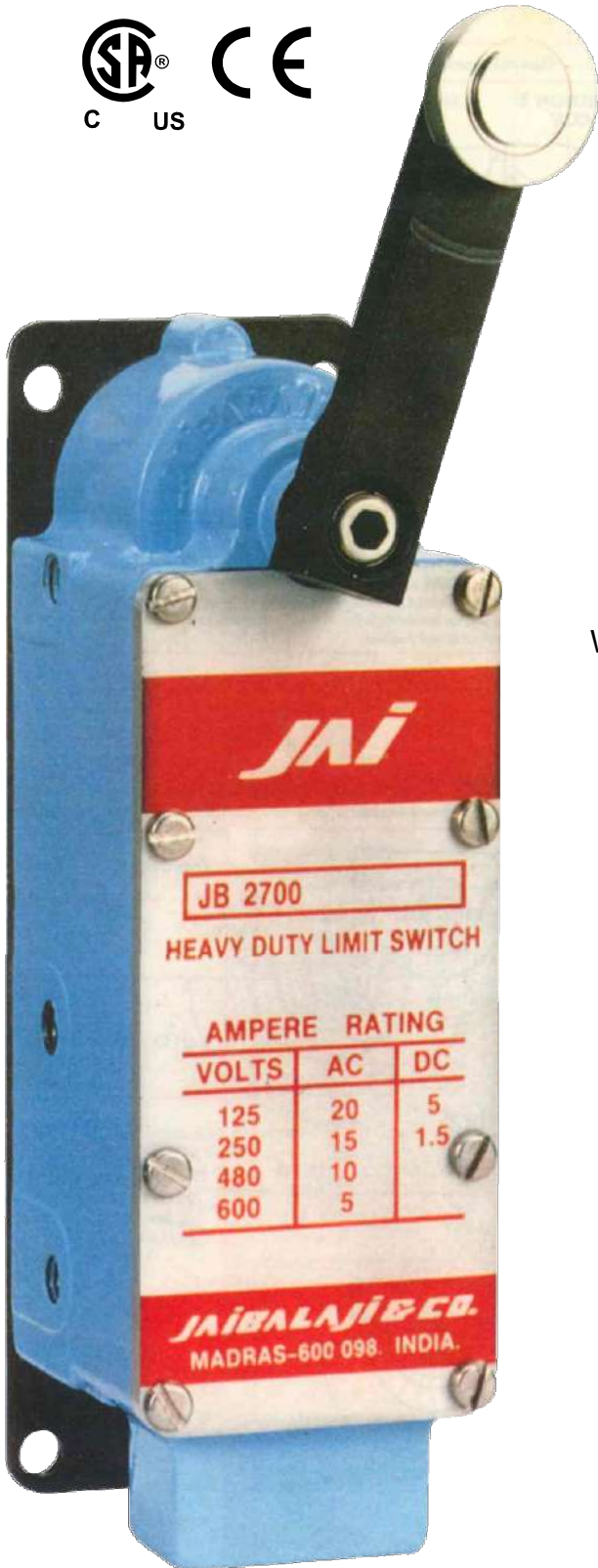
POST BOX NO. 27

89, (NEW NO:107), SIDCO INDUSTRIAL ESTATE
AMBATTUR, CHENNAI - 600 098.

PHONE : 26251279, 26257859, 26254469

FAX : 044-26255038.

E-MAIL : dchandramohan@jaibalaji.firm.in



MANUFACTURED BY :

JAIBALAJI
CONTROL GEARS PVT. LTD

POST BOX NO. 27
89, (NEW NO:107), SIDCO INDUSTRIAL ESTATE
AMBATTUR, CHENNAI - 600 098.
PHONE : 26251279, 26257859, 26254469
FAX : 044-26255038.
E-MAIL : dchandramohan@jaibalaji.firm.in

JAIBALAJI

JB 2700

HEAVY DUTY LIMIT SWITCHES

CATALOGUE CUM PRICE LIST

With **2NO+2NC** Contacts with **Style 'A'** Operating lever

M.R.P. Rs.9585

(Other than Style A Operating Lever cost will be extra)

- **MULTIPLE CONTACTS - DPDT (2 NO-2 NC),.**
- **GENEROUS OVERTRAVEL**
- **HEAVY DUTY CAM OPERATED**
- **FLEXIBILITY OF MOTION, CW AND CCW**
- **AMPLE WIRING SPACE**

Description

WIDE RANGE OF OPERATION... MODULAR CONSTRUCTION... PRACTICAL FLEXIBILITY

In every aspect these Limit Switches are the "ultimate" of the industry. The scope of Models are tailored to meet today's rugged requirements... there is a model of size and type of meet virtually all demands.

Besides covering all functional requirements this line is designed to meet practically every condition of installation. These Switches provide reliable "machine-life" service and have the stamina to operate under the unusual conditions... at the same time giving millions of consistently fast, accurate contacts.

Here are a few of the outstanding feature built into the switch for maximum performance.

- Generous overtravel and by-pass.
Flexibility of motion, clockwise and counter-clockwise.
- Simplicity and interchangeability of cams.
- Light operating torque.
- Fast contact action.
- Form Z contact arrangement

Maintained Switches
M CAM - MAINTAINED CONTACTS & LEVER POSITION

SPECIFICATIONS :

1. Enclosure is water, oil and dust tight.
2. Enclosure meets as per IP-67
3. Contacts made of silver alloy. Contact shifting mechanism is locked in position by the latches until switch lever is actuated.
4. Standard Temperature Range : 20°C to + 110°C
5. Operating lever is adjustable to any required position.
6. Operating lever Angles (travel either clockwise or counter-clockwise) maximum degrees of trip travel, reset travel, as well as total lever travel, are determined by the cam selected.
7. Operating Torques - Trip Torque varies from 6.804 (to) 14.968 KLS depending on switch size and cam selected.

Voltage		For Neutral Position Only	
125V-A.C.	20.0 Amps*	10.0 Amps*	
250V-A.C.	15.0 Amps*	7.5 Amps*	
480V-A.C.	10.0Amps*	5.0 Amps*	
600V-A.C.	5.0 Amps*	2.5 Amps*	
125V-D.C.	5.0 Amps*	2.5 Amps*	
250V-D.C.	1.5 Amps*	.75 Amps*	

* 75-100% Power Factor.

Operational Data

POSITION 1
CCW

Initial Position

POSITION 2
CW

Initial Position

Position	1 (CCW)	2 (CW)
A Trip Travel	25°	55°
B Reset Travel	25°	22°
C Min Travel to Maintain	54°	55°
D Recommended Travel	60°	60°
E Total Travel	124°	116°
F Overall Travel	56°	64°

Torque (Kilos)

M CAM

2 N.O. CW 2.721
 2 N.C. CCW 5.443

To change Switch Operation from Cam Position 1 to Position 2. Operate Switch thru' Angle C. Remove Lever and Reset at Initial Position.

Standard Switches

CW OPERATION ONLY (Combination B-1/B-2 Cam)

Contacts transfer when lever is operated CW. Lever can be operated CCW but contacts will not transfer

Contacts	Circuits	Mounting			Operational Data
		Standard	"W"	"L"	
2N.O. 2N.C.		JB2700-1512	JB2700-2124	JB2700-5121	<p>A Trip Travel 18° B Reset Travel 14° C Recommended Travel 30° D Total Travel Available 90° Torque (Kilos) 2N.O. - 2N.C. 12.246</p>

CCW OPERATION ONLY (Combination B-1/B-2 Cam)

Contacts transfer when lever is operated CCW. Lever can be operated CW but contacts will not transfer

2N.O. 2N.C.		JB2700-1044	JB2700-4500	JB2700-5400	<p>A Trip Travel 18° B Reset Travel 14° C Recommended Travel 30° D Total Travel Available 90° Torque (Kilos) 2N.O. - 2N.C. 12.246</p>
----------------	--	-------------	-------------	-------------	---

CW & CCW OPERATION (Combination B-1/B-2 Cam)

Contacts transfer when lever is operated CW or CCW.

2N.O. 2N.C.		JB2700-2502	JB2700-4050	JB2700-5040	<p>A Trip Travel 18° B Reset Travel 14° C Recommended Travel 30° D Total Travel Available 90° Torque (Kilos) 2N.O. - 2N.C. 12.246</p>
----------------	--	-------------	-------------	-------------	---

Maintained Switches

M CAM - MAINTAINED CONTACTS & LEVER POSITION

Lever and contacts are maintained in tripped position. When lever is moved CCW the N.C. contacts open and the N.O. contacts close. Starting at this position rotating the lever CW the N.O. contacts open and the N.C. close.

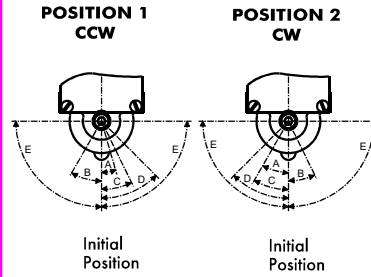
Contacts	Circuits		Mounting		
	Position 1	Position 2	Standard	"W"	"L"
2N.O. 2N.C.	CW INITIAL CCW 	CW INITIAL CCW 	JB2700-1125	JB2700-2115	JB2700-5112

M7 CAM - MAINTAINED CONTACTS - LEVER RETURNED

Contacts are maintained in tripped position, torsion spring will return lever to initial position when released. When lever is moved CCW the N.C. contacts open and the N.O. contacts close. The lever must then be returned to the initial position and be operated in the CW direction to reset the contacts.

Contacts	Circuits		Standard	"W"	"L"
	CW INITIAL	CCW			
2N.O. 2N.C.			JB2700-1125	JB2700-2115	JB2700-5112

Operational Data



Position	1 (CCW)	2 (CW)
A Trip Travel	16°	30°
B Reset Travel	30°	26°
C Min Travel to Maintain	26°	30°
D Recommended Travel	45°	45°
E Total Travel	90°	90°

Torque	(Kilos)
M CAM	
2 N.O. CW	6.804
2 N.C. CCW	7.938

To change Switch Operation from Cam Position 1 to Position 2. Operate Switch thru' Angle C. Remove Lever and Reset at Initial Position.

Neutral Position Switches

N CAM - NEUTRAL POSITION - ALL CONTACTS OPEN

As lever is moved CW upper contacts close. As lever is spring returned to starting position upper contacts open. As lever is moved CCW from starting position lower contacts close. As lever is spring returned to starting position lower contacts open.

Contacts	Circuits	Mounting			Operational Data																							
		Standard	"W"	"L"																								
4N.O.	CW INITIAL CCW 	JB2700-1008	JB2700-2007	JB2700-4104	 <table border="1"> <thead> <tr> <th>Direction of Rotation</th> <th>CW</th> <th>CCW</th> </tr> </thead> <tbody> <tr> <td>A Trip Travel</td> <td>11°</td> <td>35°</td> </tr> <tr> <td>B Reset Travel</td> <td>9°</td> <td>13°</td> </tr> <tr> <td>C Recommended Travel</td> <td>45°</td> <td>45°</td> </tr> <tr> <td>D Total Travel</td> <td>90°</td> <td>90°</td> </tr> </tbody> </table> <table border="1"> <thead> <tr> <th>Torque</th> <th>(Kilos)</th> </tr> </thead> <tbody> <tr> <td>N CAM</td> <td></td> </tr> <tr> <td>4N.O. CW</td> <td>6.123</td> </tr> <tr> <td>4N.O. CCW</td> <td>8.944</td> </tr> </tbody> </table>	Direction of Rotation	CW	CCW	A Trip Travel	11°	35°	B Reset Travel	9°	13°	C Recommended Travel	45°	45°	D Total Travel	90°	90°	Torque	(Kilos)	N CAM		4N.O. CW	6.123	4N.O. CCW	8.944
Direction of Rotation	CW	CCW																										
A Trip Travel	11°	35°																										
B Reset Travel	9°	13°																										
C Recommended Travel	45°	45°																										
D Total Travel	90°	90°																										
Torque	(Kilos)																											
N CAM																												
4N.O. CW	6.123																											
4N.O. CCW	8.944																											
<p>N CAM - NEUTRAL POSITION - ALL CONTACTS CLOSED</p> <p>As lever is moved CW lower contacts open. As lever is spring returned to starting position lower contacts close. As lever is moved CCW from starting position upper contacts open. As lever is spring returned to starting position upper contacts close.</p>																												

N1 - NEUTRAL POSITION - ALL CONTACTS OPEN

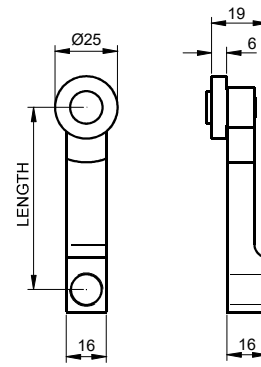
As lever is moved CW lower contacts close. As lever is spring returned to starting position lower contacts open. As lever is moved CCW from starting position upper contacts close. As lever is spring returned to starting position upper contacts open.

Contacts	Circuits	Standard	"W"	"L"	Operational Data																													
						4N.C.	CW INITIAL CCW 	JB2700-2205	JB2700-4005	JB2700-5004	 <table border="1"> <thead> <tr> <th>Direction of Rotation</th> <th>CW</th> <th>CCW</th> </tr> </thead> <tbody> <tr> <td>A Trip Travel</td> <td>31°</td> <td>31°</td> </tr> <tr> <td>B Reset Travel</td> <td>22°</td> <td>12°</td> </tr> <tr> <td>C Recommended Travel</td> <td>45°</td> <td>45°</td> </tr> <tr> <td>D Total Travel</td> <td>90°</td> <td>90°</td> </tr> </tbody> </table> <table border="1"> <thead> <tr> <th>Torque</th> <th>(Kilos)</th> </tr> </thead> <tbody> <tr> <td>N1 CAM</td> <td></td> </tr> <tr> <td>4N.O. CW</td> <td>7.938</td> </tr> <tr> <td>4N.O. CCW</td> <td>9.298</td> </tr> <tr> <td>N1 CAM</td> <td></td> </tr> <tr> <td>4N.C. CW</td> <td>7.938</td> </tr> <tr> <td>4N.C. CCW</td> <td>9.298</td> </tr> </tbody> </table>	Direction of Rotation	CW	CCW	A Trip Travel	31°	31°	B Reset Travel	22°	12°	C Recommended Travel	45°	45°	D Total Travel	90°	90°	Torque	(Kilos)	N1 CAM		4N.O. CW	7.938	4N.O. CCW	9.298
Direction of Rotation	CW	CCW																																
A Trip Travel	31°	31°																																
B Reset Travel	22°	12°																																
C Recommended Travel	45°	45°																																
D Total Travel	90°	90°																																
Torque	(Kilos)																																	
N1 CAM																																		
4N.O. CW	7.938																																	
4N.O. CCW	9.298																																	
N1 CAM																																		
4N.C. CW	7.938																																	
4N.C. CCW	9.298																																	
4N.C.	CW INITIAL CCW 	JB2700-3600	JB2700-4221	JB2700-5022																														

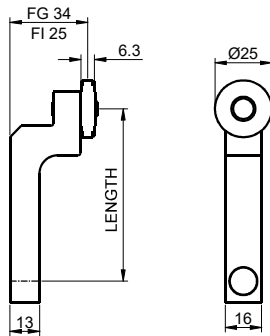
Operating levers

Lever	Length (mm)	MRP Rs.
Style A (Steel roller)		
AA	38	900
AA (25,4 mm roller)	38	864
AB	76	981
AC	32	774
AD	45	900
AH	51	927
AL	89	1017
AM	102	1044
AO	64	963

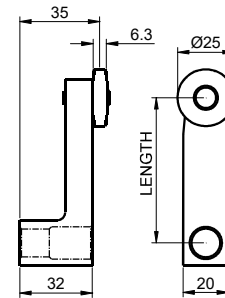
STYLE A



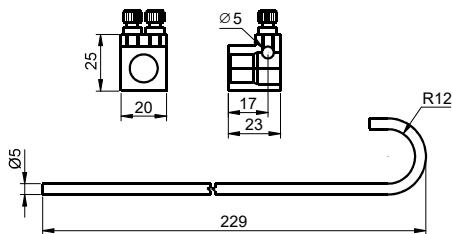
Style F (Steel roller)	MRP Rs.
FG 34	1377
FI 25	1476



Style LA	MRP Rs.
LAA1	1386
LAH 1	1476
LAO 1	1566

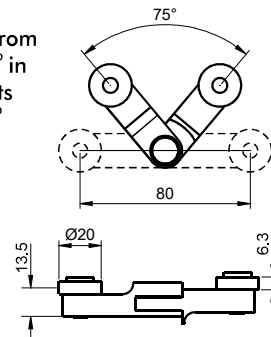


Style R	MRP Rs.
R (hub)	1422
R9 (rod)	1422



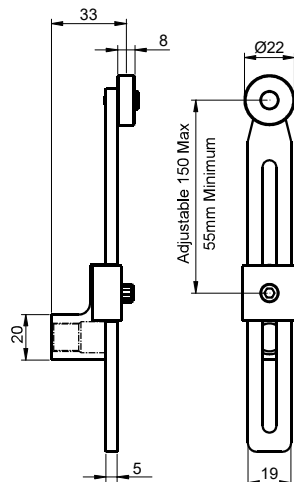
Style V	MRP Rs.
VA	1566

Adjustable from 75° to 180° in increments of 7 1/2°



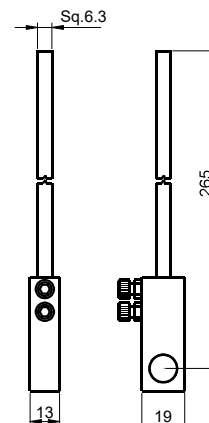
Adjustable lever

MRP Rs. 1710



Antenna type lever

MRP Rs. 1728



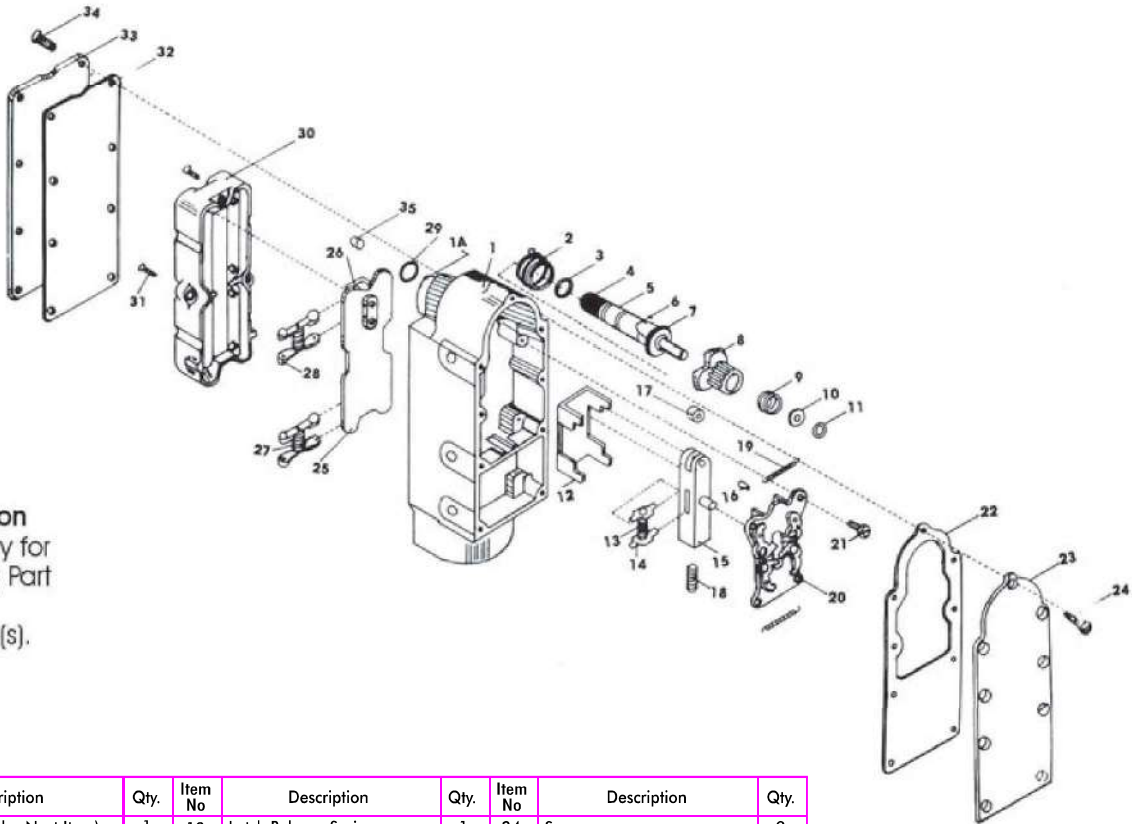
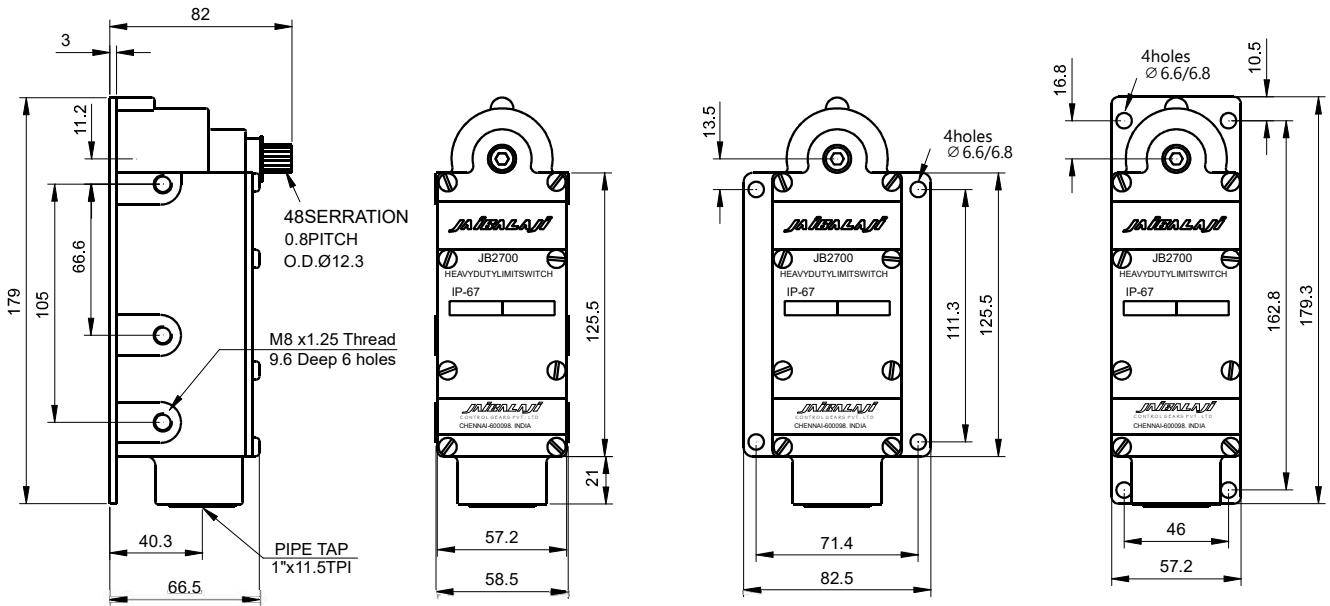
Basic design permits mounting from either side or back. Style L or W mounting plates, for back mounting, available at no extra cost.

Dimensions

Standard Mounting

Wide Mounting

Long Mounting



Parts Description

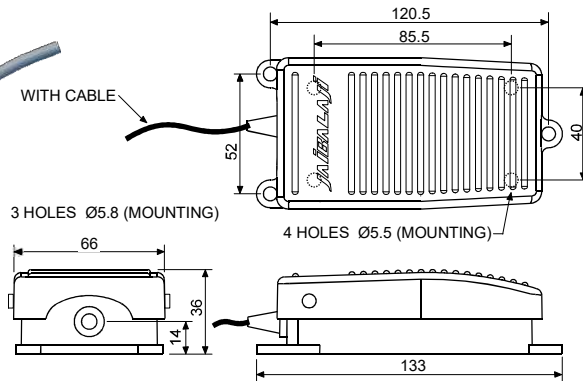
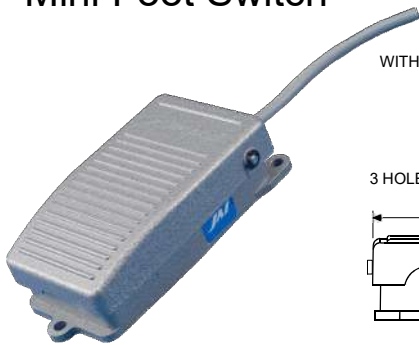
Consult Factory for corresponding Part Number and appropriate kit(s).

Item No	Description	Qty.	Item No	Description	Qty.	Item No	Description	Qty.
1	Housing (Includes Next Item)	1	13	Latch Release Spring	1	24	Screw	9
1A	Bushing	1	14	Spring Stop	2	25	Contact Carrier Assembly (Includes Next 3 items)	1
2	Torsion Spring	1	15	Slide	1	26	Contact Carrier	1
3	"O"Ring	1	16	Pin	1	27	Contact Spring	2
4	Lever Assembly (includes Next 3 items)	1	17	Roller	1	28	Contact	4
5	Lever Shaft	1	18	Return Spring	1	29	Tru-Arc Ring	1
6	Roll Pin	1	19	Latch Return Spring	2	30	Contact Block	1
7	Cam Hub	1	20	Latch Plate	1	31	Screw	3
8	Cam	1	21	Screw	4	32	Bottom Cover Gasket	1
9	Cam Spring	1	22	Bottom Cover Gasket	1	33	Top Cover (Std. Only)	1
10	Retaining Washer	1	23	Bottom Cover (Std. Only)	1	34	Screw	8
11	Tru-Arc-Ring	1		Bottom Cover (Style W Only)	1	35	Pipe Plug	1
12	Shuttle	1		Bottom Cover (Style L Only)	1			

JAIBALAJI

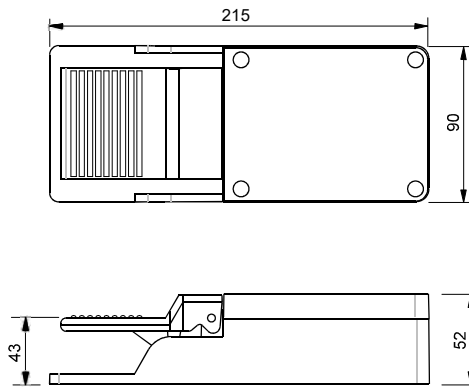
FOOT SWITCHES CATALOGUE CUM PRICE LIST

Mini Foot Switch

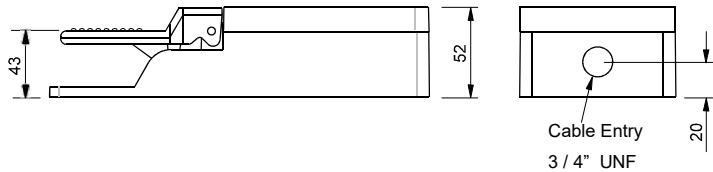


Model No.	Contacts	M.R.P.Rs
JBMS-09	1NO+1NC	639
JBMS-18	2NO+2NC	1026

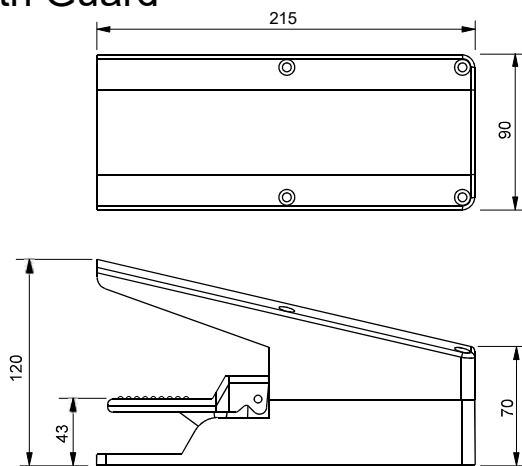
Foot Switch Without Guard



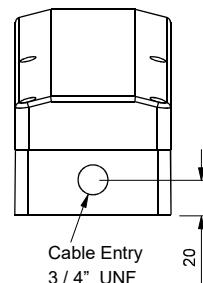
Model No.	Contacts	M.R.P.Rs
JBMS-27	1NO+1NC	2070
JBMS-36	2NO+2NC	2663



Foot Switch With Guard



Model No.	Contacts	M.R.P.Rs
JBMSG-27	1NO+1NC	2250
JBMSG-36	2NO+2NC	2853



Electrical and Mechanical Rating

Utilisation Category : AC 15 and DC 13 as per IS/IEC:60947 - 5 - 1
 Thermal current (I_{th}) : 15A
 Insulation Voltage (UI) : 600 VAC
 Enclosure material : Cast Aluminium

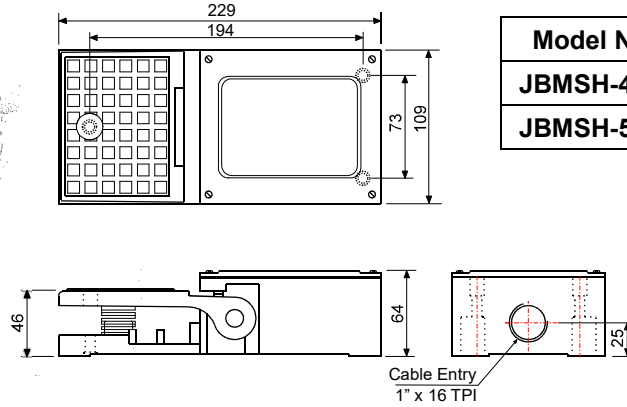
RATINGS: AC RATING INDUCTIVE-NEMA A 600

Voltage	Make		Break	
	A	VA	A	VA
120	60	7200	6	720
240	30	7200	3	720
480	15	7200	1.5	720
500	12	7200	1.2	720

RATINGS: DC RATING INDUCTIVE-NEMA P 600

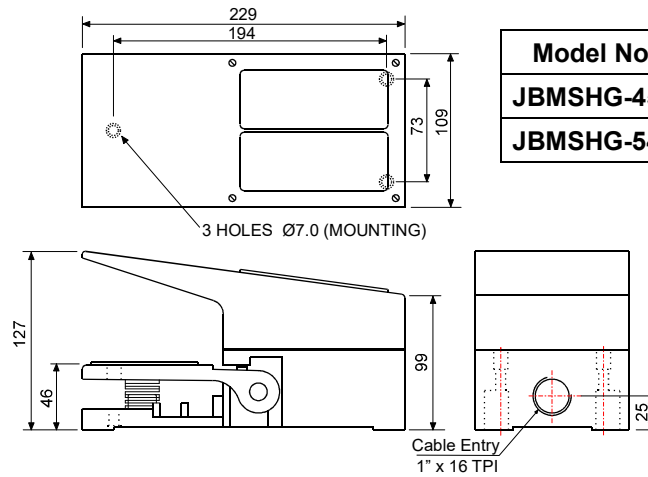
Voltage	Make		Break	
	A	VA	A	VA
125	1.1	138	1.1	138
250	0.55	138	0.55	138
600	0.2	138	0.2	138

Heavy Duty Foot Switch (Without Guard)



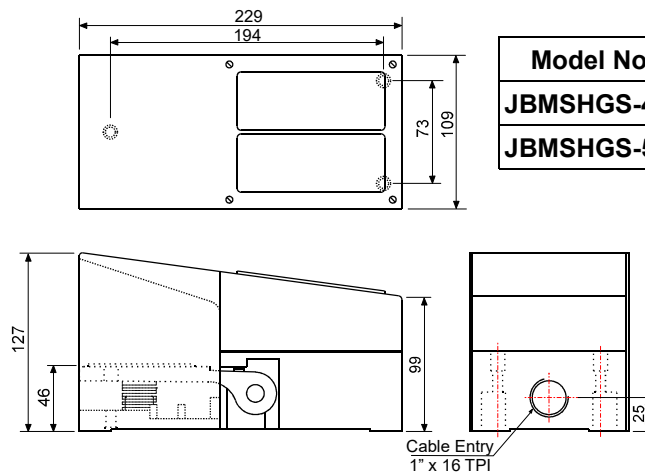
Model No.	Contacts	M.R.P.Rs
JBMSH-45	1NO+1NC	3465
JBMSH-54	2NO+2NC	3726

Heavy Duty Foot Switch (With Guard)



Model No.	Contacts	M.R.P.Rs
JBMSHG-45	1NO+1NC	4140
JBMSHG-54	2NO+2NC	4428

Heavy Duty Foot Switch (With Shield)



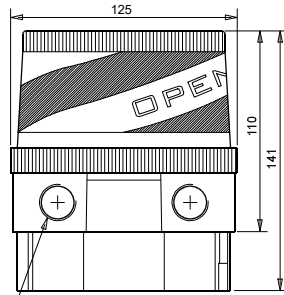
Model No.	Contacts	M.R.P.Rs
JBMSHGS-45	1NO+1NC	4482
JBMSHGS-54	2NO+2NC	4770

JAIBALAJI
CONTROL GEARS PVT. LTD

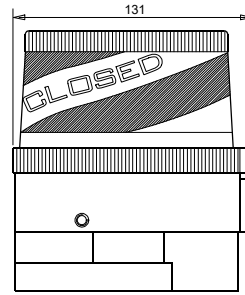
Post Box No. 27, 89 (New No. 107), SIDCO Industrial Estate, Ambattur, Chennai -600 098. India
 Phone: +91 44 26251279 / 26257859 / 26254470 Fax: +91 44 26255038.
 E-mail: dchandramohan@jaibalaji.firm.in Web: jaibalaji.in

JAIBALAJI

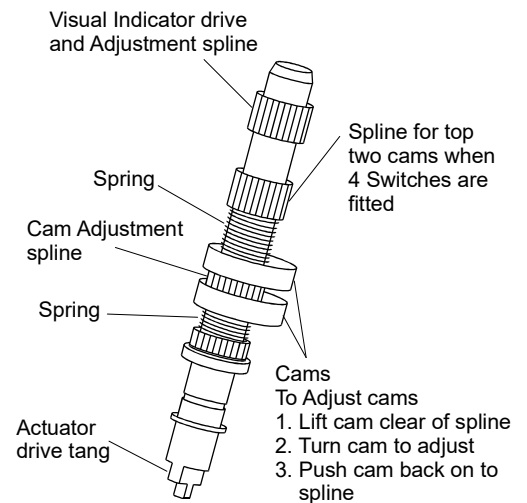
VALVE POSITION MONITOR CATALOGUE CUM PRICE LIST



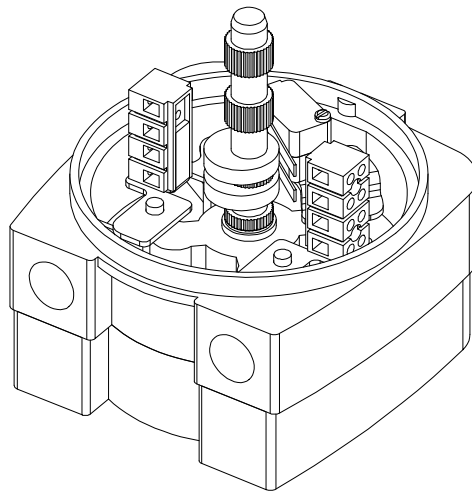
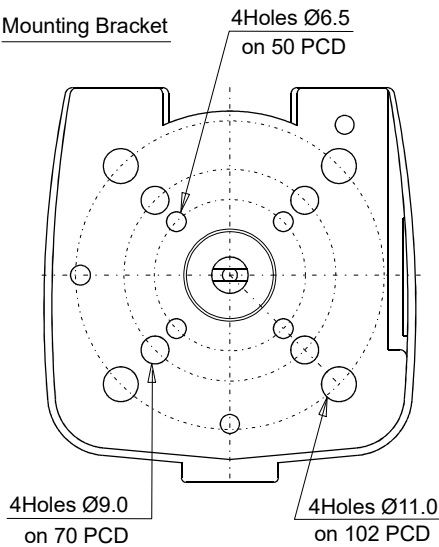
Cable Entry M20 / M25
1/2" & 3/4" NPT Threads



Shaft Details



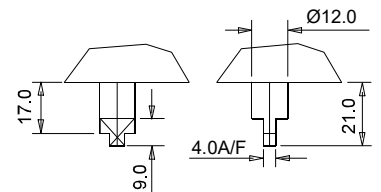
Mounting Bracket



Miniature Switches

Ratings: AC RATING INDUCTIVE - A600				
Voltage	Make		Break	
	A	VA	A	VA
120	60	7200	6	720
240	30	7200	3	720
480	15	7200	1.5	720
600	12	7200	1.2	720

Ratings: DC RATING INDUCTIVE - P600				
Voltage	Make		Break	
	A	VA	A	VA
125	1.1	138	1.1	138
250	0.55	138	0.55	138
600	0.2	138	0.2	138



Specification

Housing Material	: Nylon (Glass filled)
Indicator Material	: Polycarbonate
Protection	: IP 67
Terminal points	: 8 Points
Temperature Range	: -40°C to 100°C
Visual Indicator	: 0° to 90°
Conduit Entry	: 2 Entries
Basic Switch	: 2 Miniature Switches

Optional

Terminal points	: 16 Points
Conduit Entry	: 3 Entries
Basic Switch	: 1 to 4 Miniature Switches or Proximity Sensors

Miniature Switch



Model No.	Description	M.R.P.Rs
JBVPM-54	JMS / IPM / H - A Miniature Snap action Switch - 1No.	
JBVPM-63	JMS / IPM / H - A Miniature Snap action Switch - 2Nos.	
JBVPM-72	JMS / IPM / H - A Miniature Snap action Switch - 3Nos.	
JBVPM-81	JMS / IPM / H - A Miniature Snap action Switch - 4Nos.	

Manufactured by:

JAIBALAJI

CONTROL GEARS PVT. LTD

Post Box No. 27, 89 (New No. 107), SIDCO Industrial Estate, Ambattur, Chennai -600 098, India
Phone: 26251279 / 26257859 / 26254470 Fax: 0091-044-26255038. E-mail: dchandramohan@jaibalaji.firm.in



DEALERS ENQUIRIES SOLICITED

Ref : JAI / GC / 2017

Date : 02.08.2024



Dear Sir,

At the outset, we thank you all for patronizing our products. As you are aware, our **JAIBALAJI** products are the **ONLY PRODUCTS** available in India with  &  Markings and **IP-67** Protection. We are also an **ISO 9001 : 2015** Certified company offering **QUALITY PLUS** Products at **MOST COMPETITIVE PRICE**. **JAIBALAJI** Products are manufactured making use of **UL Listed V2 Flame Retardant Grade 960°** Glow Wire Tested Anti corrosive Anti-Acid unbreakable **Engineering Plastic** and are fully insulated. Our wide range of products are **Illuminated Push Buttons, Pilot lights, Push Button Stations (Plastic & Metal) LED Electronic Module Indicating lights (16.5 mm & 22.5 mm dia) Electronic signal Tower lights (LED & BULB) Electronic Proximity Sensors (Photo Sensors, Diffuse, Thro' Beam, Colour mark, Inductive & Capacitive) Electronic Timer Din Rail (Analog & Digital) Electronic Digital Counter / Timer, Digital Meters AC / DC Voltmeter, Ammeter, Digital Panel Meters, Frequency Meters, Variety of Limit Switches, like BC-9, BC-9T, JW Micro Adjustable, CEE EM 45, Precision, Miniature Snap Action, Mini Limit Switches, Heavy Duty Limit Switches JB - 2700, Extra Heavy Duty JC-1125 Limit Switches, Explosion Proof EPHA Limit Switches, Foot Switches, Engineering Plastic Industrial Plug & Sockets, and Connectors Cam Operated Rotary Switches, variety of different sizes of Junction Boxes (Engineering Plastic & Metal) and Telescopic Brushes, Pullcord, Beltsway, Zero speed switch & Rocker switch. Distribution Boxes, Pendent Pushbutton stations, CEE EM 45 Mini Limit Switch, Bus bar Indicator & Reed Magnetic Switch**

DEALERS ENQUIRIES ARE SOLICITED

This supersedes all previous Price Lists, Prices are subject to change without prior notice, Prices at the time of supply will be applicable.

Your continued patronage and kind co-operation will be very much appreciated.

Thanking you and assuring you of our best services always.

Yours faithfully,

for 



CHANAKYACHANDRAMOHAN

Encl : as above.

New No. 107, Sidco Industrial Estate

Post Box No. 27, Ambattur,

Chennai - 600 098. India

Phone : 0091 - 44 - 2625 1279

0091 - 44 - 2625 4469

0091 - 44 - 2625 4470

0091 - 44 - 2625 7174

0091 - 44 - 2625 7859

Fax : 0091 - 44 - 2625 5038

E-mail : dchandramohan@jaibalaji.firm.in

WEBSITE : www.jaibalaji.firm.in



S.No.	List of Electronic Items	Page No
1	ISO Certificate	1
2	ISI Certificate	2-7
3	CSA Certificate	8-10
4	LED Module Indicating Lights	11
5	Rocker switch	12
6	Electronic Signal Tower light	13-14
7	Electronic mini tower light	14
8	Inductive Proximity switches	15-18
9	Capcitive Proximity switches	19-20
10	Photo electronic sensors	21-24
11	Analog Timer Digital Timer Din Rail	25
12	Electronic Digital counter Timer	26
13	AC Volt meter AC Ammeter	27
14	Electronic digital meter	28
15	Frequency meter	29
16	DC Ammeter	30
17	Electronic bus bar indicator	30
18	Pullcord & Belt sway Switches	31-32
19	Zero speed Switch	33

CERTIFICATE

The Certification Body
of TÜV SÜD South Asia Private Limited
certifies that



Jaibalaji Control Gears Pvt. Ltd
No. 107, Sidco Industrial Estate, Ambattur, Chennai, - 600098, India

has implemented Quality Management System
in accordance with **ISO 9001:2015**
for the scope of

**Design, Manufacture and Supply of
Electromechanical, Electronic Controlling, Signalling Devices and
Switchgears for Engineering and Industrial Automation**

The certificate is valid from **2024-03-22** until **2027-03-21**

Subject to successful completion of annual periodic audits

The present status of this certificate can be obtained through TUV SUD website by scanning below QR code and by entering the certificate number (without spaces) on web page. Further clarifications regarding the status & scope of this certificate may be obtained by consulting the certification body at info.in@tuvsud.com

Certificate Registration No. **99 100 02459**

Date of Initial certification: **2008-05-28**

Issue Date: **2024-03-19** Rev. **00**



Rahul Kale
Head of Certification Body
of TÜV SÜD South Asia Private Limited,
Mumbai
Member of TÜV SÜD Group





இந்திய தர நிர்ணய அமைவனம்

भारतीय मानक ब्यूरो
BUREAU OF INDIAN STANDARDS

दक्षिणी क्षेत्रीय कार्यालय

: पोस्ट बॉक्स नं. 8290
सी. आई. टी. कैंपस, चौथा क्रॉस रोड,
तरामनी, चेन्नै - 600 113.
Southern Regional Office : Post Box No. 8290
CIT Campus, IV Cross Road,
Taramani, Chennai - 600 113.

ANNEXURE TO ENDORSEMENT NO.16 DATED 20030206

1) LIMIT SWITCHES

RATED OPERATIONAL VOLTAGE : 415V
RATED THERMAL CURRENT : 10A
OPERATIONAL CURRENT : 1.5A(AC)
RATED IMPULSE VOLTAGE : 1.5KV AC
INSULATION VOLTAGE : 600V
POLLUTION DEGREE : '2'
IP CODE : IP 67
UTILISATION CATEGORY : AC 15/DC 13
CONDITIONAL SHORT CIRCUIT CURRENT : 100A
DESIGNATION : A600/R300
CONTACT ELEMENT : TYPE : ZA
MECHANICAL DUTY CLASS : 3
FREQUENCY OF OPERATIONAL CYCLES FOR ELECTRICAL DURABILITY : 300/HOUR

2) ROTARY SWITCHES:

UTILISATION CATEGORY : AC15
RATED INSULATION VOLTAGE : 600V AC
RATED IMPULSE VOLTAGE : 1.5KV AC
RATED OPERATIONAL VOLTAGE : 415V AC,
RATED FREQUENCY : 50Hz
CORRESPONDING OPERATIONAL CURRENT : 1.8A, 2A, 4A, 6A, 8A, 10A
CORRESPONDING THERMAL CURRENT : 7.5A, 12.5A, 20A, 32A, 40A, 80A
POLLUTION DEGREE/CASE : 3/CASE A
CLASS OF MECHANICAL DURABILITY : 3
MATERIAL GROUP : III a

3) PUSH BUTTON SWITCH

UTILISATION CATEGORY : AC15
RATED INSULATION VOLTAGE : 600V
RATED IMPULSE VOLTAGE : 1.5KV AC
RATED OPERATIONAL VOLTAGE : 415V AC, 50Hz
RATED OPERATIONAL CURRENT : 1.8A
RATED THERMAL CURRENT : 10A
POLLUTION DEGREE/CASE : 3/CASE A
CLASS OF MECHANICAL DURABILITY : 3
DESIGNATION : A600/R300

DIRECTOR & HEAD (MARKS II)
BIS, CHENNAI



இந்திய தர நிர்ணய அமைவனம்
भारतीय मानक ब्यूरो
BUREAU OF INDIAN STANDARDS

दक्षिणी क्षेत्रीय कार्यालय

: पोस्ट बॉक्स नं. 8290

सी. आई. टी. कैम्पस, चौथा क्रॉस रोड,
तरामनी, चेन्नै - 600 113.

Southern Regional Office : Post Box No. 8290

CIT Campus, IV Cross Road,
Taramani, Chennai - 600 113.

ANNEXURE TO ENDORSEMENT NO.16 DATED 20030266

4) AC INDICATOR LIGHTS (BULB)

Rated operational voltage	24, 48, 110, 230 V AC
Rated voltage of light	24, 48, 110, 230 V AC
Rated voltage of lamp	24, 48, 130, 130 V AC
Rated power	2.0, 2.0, 2.6, 2.6 Watts Max
Rated thermal power for mounting on metal plate	2.6, 2.6, 2.6, 2.6 Watts Max
Rated thermal power for mounting on enclosure	2.6, 2.6, 2.6, 2.6 Watts Max
Colour	Yellow, red, amber, blue, green, black, white, clear (for type and designation and colour, please see the catalogue enclosed)
Fixing hole diameter	22.5 mm, 22.5 mm, 22.5 mm, 22.5 mm
Means of connection	Single pin type small miniature with baynet cap holder
Nature of current applied and its frequency	AC 50 cycles
Type of lamp socket	Small miniature baynet cap holder with Nylon 66 (Grade 30) protective cover


DIRECTOR & HEAD (MARKS II)
BIS, CHENNAI



38
இந்திய தர நிர்ணய அமைவனம்
भारतीय मानक ब्यूरो
BUREAU OF INDIAN STANDARDS

दक्षिणी क्षेत्रीय कार्यालय

: पोस्ट बॉक्स नं. 8290

सी. आई. टी. फोरम, चौथा क्रॉस रोड,

तराणी, चेन्नै - 600 113.

Southern Regional Office : Post Box No. 8290

CIT Campus, IV Cross Road,

Taramani, Chennai - 600 113.

ANNEXURE TO ENDORSEMENT NO.16 DATED 20.03.2006

5) DC INDICATOR LIGHTS (BULB)

Rated operational voltage	24, 48, 110, 230 V DC
Rated voltage of light	24, 48, 110, 230 V DC
Rated voltage of lamp	24, 48, 130, 130 V DC
Rated power	2.2, 2.6, 2.6 Watts Max
Rated thermal power for mounting on metal plate	2.2, 2.6, 2.6 Watts Max
Rated thermal power for mounting on enclosure	2.2, 2.6, 2.6 Watts Max
Colour	Yellow, red, amber, blue, green, black, white, clear (for type and designation and colour, please see the catalogue enclosed)
Fixing hole diameter	22.5 mm, 22.5 mm, 22.5 mm, 22.5 mm
Means of connection	Single pin type holder small miniature with baynet cap holder
Nature of current applied and its frequency	DC
Type of lamp socket	Small miniature baynet cap holder with Nylon 66 (Grade 30) protective cover

DIRECTOR & HEAD (MARKS II)
BIS, CHENNAI



ANNEXURE TO ENDORSEMENT NO.16 DATED 2008.02.06

6) AC INDICATOR LIGHTS (LED - LIGHT EMITTING DIODE)

Rated operational voltage	12, 24, 48, 110, 230 V AC
Rated voltage of light	12, 24, 48, 110, 230 V AC
Rated voltage of LED	2.2, 2.2, 2.2, 2.2 V AC Max
Rated current/power	25 mA/300 mW
Rated thermal power for mounting on metal plate	25 mA/300 mW
Rated thermal power for mounting on enclosure	25 mA/300 mW
Colour	Yellow, red, amber, blue, green, black, white, clear (for type and designation and colour, please see the catalogue enclosed)
Fixing hole diameter	22.5 mm, 22.5 mm, 22.5 mm, 22.5 mm
Means of connection	Solder connection
Nature of current applied and its frequency	AC 50 cycles
Type of lamp socket	Nylon 66 (Grade GF 30) protective cover

DIRECTOR & HEAD (MARKS II)
BIS, CHENNAI



இந்திய தர நிர்ணய அமைவனம்
भारतीय मानक ब्यूरो
BUREAU OF INDIAN STANDARDS

दक्षिणी क्षेत्रीय कार्यालय

: पोस्ट बॉक्स नं. 8290

सी. आई. टी. कैम्पस, चौथ क्रॉस रोड,
तरामणी, चेन्नै - 600 113.

Southern Regional Office : Post Box No. 8290

CIT Campus, IV Cross Road,
Taramani, Chennai - 600 113.

ANNEXURE TO ENDORSEMENT NO.16 DATED 20030206

7) DC INDICATOR LIGHTS (LED - LIGHT EMITTING DIODE)

Rated operational voltage	12, 24, 48, 110, 230 V DC
Rated voltage of light	12, 24, 48, 110, 230 V DC
Rated voltage of lamp	2.2, 2.2, 2.2, 2.2 V DC Max
Rated current/power	25 mA/300 mW
Rated thermal power for mounting on metal plate	25 mA/300 mW
Rated thermal power for mounting on enclosure	25 mA/300 mW
Colour	Yellow, red, amber, blue, green, black, white, clear (for type and designation and colour, please see the catalogue enclosed)
Fixing hole diameter	22.5 mm, 22.5 mm, 22.5 mm, 22.5 mm
Means of connection	Solder connection
Nature of current applied and its frequency	DC
Type of lamp socket	Nylon 66 (Grade GF 30) protective cover

DIRECTOR & HEAD (MARKS II)
BIS, CHENNAI



இந்திய தர நிர்ணய அமைவனம்
भारतीय मानक ब्यूरो
BUREAU OF INDIAN STANDARDS

दक्षिणी क्षेत्रीय कार्यालय

: पोस्ट बाकस नं. 8290

सी. आई. टी. कैम्पस, चौथ क्रॉस रोड,
तरावणी, चेन्नै - 600 113.

Southern Regional Office : Post Box No. 8290

CIT Campus, IV Cross Road,
Taramani, Chennai - 600 113.

ANNEXURE TO ENDORSEMENT NO.16 DATED 20030206

8) MINIATURE LIMIT SWITCH

Rated operational voltage	: 240 V AC, 50 Hz
Rated operational current	: 3 A
Rated thermal current	: 10 Amp
Utilization category	: AC 15
Rated insulation voltage	: 600 V AC
Rated surge voltage	: 1500 V
Pollution degree	: 2
Rated conditional short circuit current	: 1000 A
Number of poles	: Single


DIRECTOR & HEAD (MARKS II)
BIS, CHENNAI

PAGE 6 OF 6



CERTIFICATION RECORD

The company named below has been authorized by CSA to represent the products listed in this record as "CSA Certified" and to affix the CSA Mark to these products according to the terms and conditions of the CSA Service Agreement and applicable CSA program requirements (including additional Markings).

File No: 114811 0 000

Class No: 3211 87 INDUSTRIAL CONTROL EQUIPMENT Miscellaneous Apparatus
- Certified to US Standards

SUBMITTOR

4576887 M/s Jai Balaji & Co.
89, Sidco Industrial Estate
P.O. No. 27
Ambattur
Chennai, 600098
India

FACTORY

4576887 M/s Jai Balaji & Co.
89, Sidco Industrial Estate
P.O. No. 27
Ambattur
Chennai, 600098
India

November 18, 2002 (Replaces: September 22, 1999)

- Rotary Switches, JRS-XX Series, Model Numbers and ratings are as follows:

Model No	Voltage	Current
JRS 9	400 V	6 A
JRS 18	400 V	10 A
JRS 27	400 V	16 A
JRS 45	400 V	25 A
JRS 63	400 V	32 A
JRS 81	400 V	40 A
JRS 90	400 V	63 A

- Limit Switches, JLS Series, JW Series, CEE EM 45 Series, the electrical ratings / mechanism / contacts are same for all the models and are as follows:

Model No	Contact Designation
JLS XXX	B300 / P600
JW XX	B300 / P600
CEE EM 45-XX	B300 / P600
JC XXXX	B300 / P600
JB XXXX	B300 / P600

Note: The suffixes -XXX indicate Model Numbers with different lever heads.

- Proximity Switches JB Series details are given below:

Model No	Type	DC Volts	DC Amps	AC Volts	AC Amp
JB 8 PILM	3 Wire DC	30 V DC	200 mA	--	--
JB 12 PIFM	3 Wire DC	30 V DC	200 mA	--	--
JB 18 PILM	3 Wire DC	30 V DC	200 mA	--	--
JB 30 PILM	3 Wire DC	30 V DC	200 mA	--	--
JB 36 AILM	2 Wire DC	--	--	230 V	300 mA
JB 50 PILM	2 Wire DC	30 V DC	200 mA	--	--

- Contact Switch Element for Push Buttons, Model Nos and Rating are as follows:

Model No	Contact Type	Designation	AC Rating	DC Rating
			Voltage/Current	Voltage/Current
JB1	N O	B300/P600	400 V/10 A	600 V/5 A
JB2	N C	B300/P600	400 V/10 A	600 V/5 A

● Pilot Lights

Model	Rated Voltage	Max Current mA
ML, PL	12 V, 24V, 48 V,	25 mA
	110 V ac/dc, 230 V ac and 220 V dc	
MB	12 V ac/dc	180 mA
	24 V ac/dc	80 mA
	48 V ac/dc	40 mA
	110 V ac/dc, 230 V ac and 220 V dc	25 mA

Note: These devices are certified as components only for use in other certified equipment where the suitability of the combination is determined by CSA International.



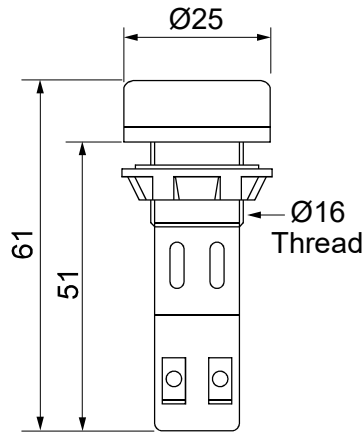
ELECTRONIC ULTRA BRIGHT LED MODULE INDICATING LIGHTS Ø16.5mm and Ø22.5mm

WITH    MARKS

CATALOGUE CUM PRICE LIST

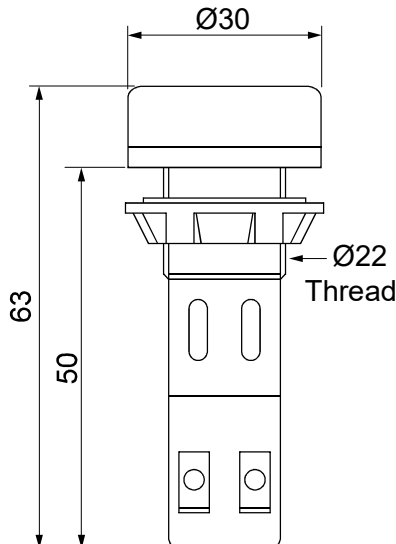
Best Illumination due to maximum LEDs.
80% Energy Saving.
Zero failure probability due to LED technology.
Fits with 16.5 & 22.5 mm standard cutouts.
Suitable for standard voltage ranges.

Non standard voltage ranges available on request.
Immune to vibration and shock resistance.
Rugged, Long lasting & Economic.
Low voltage glow protection.



16.5 mm Dia

	12/24/48V AC / DC	110V AC	230V AC	110/230V DC
YELLOW	Rs. 153	Rs. 153	Rs. 153	Rs. 153
RED	Rs. 153	Rs. 153	Rs. 153	Rs. 153
AMBER	Rs. 153	Rs. 153	Rs. 153	Rs. 153
BLUE	Rs. 153	Rs. 153	Rs. 153	Rs. 153
GREEN	Rs. 153	Rs. 153	Rs. 153	Rs. 153
WHITE	Rs. 153	Rs. 153	Rs. 153	Rs. 153



22.5 mm Dia

	12/24/48V AC / DC	110V AC	230V AC	110/230V DC
YELLOW	Rs. 171	Rs. 171	Rs. 171	Rs. 171
RED	Rs. 171	Rs. 171	Rs. 171	Rs. 171
AMBER	Rs. 171	Rs. 171	Rs. 171	Rs. 171
BLUE	Rs. 171	Rs. 171	Rs. 171	Rs. 171
GREEN	Rs. 171	Rs. 171	Rs. 171	Rs. 171
WHITE	Rs. 171	Rs. 171	Rs. 171	Rs. 171

All above LED modules with low voltage glow protection add Rs.117/- each extra. LED module Universal voltage 24-240V AC/DC (Yellow, Red, Amber, Blue, Green, White) -Rs.234/- each extra.

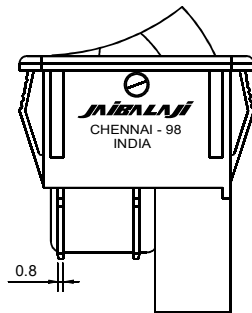
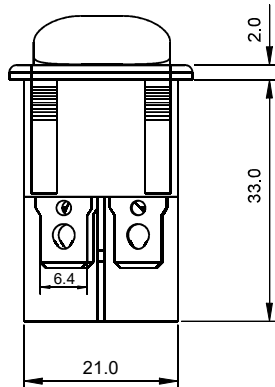
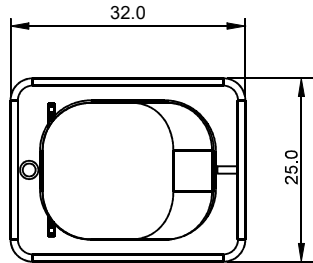
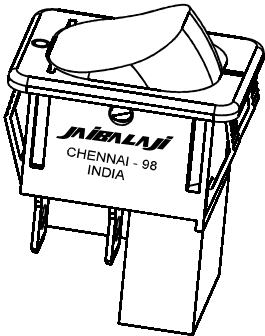


Post Box No. 27, 89 (New No. 107), SIDCO Industrial Estate, Ambattur, Chennai -600 098. India
Phone: +91 44 26251279 / 26257859 / 26254470 Fax: +91 44 26255038.
E-mail: dchandramohan@jaibalaji.firm.in Web: jaibalaji.in



ROCKER INDICATOR SWITCH

CATALOGUE CUM PRICE LIST



MATERIALS :

Body	Nylon 6/6 (UL 94V-2)
Rocker	Polycarbonate (UL 94V-2)
Contact surface	Silver
Terminal	Silver Plated Brass
Illuminated rocker	LED

SPECIFICATIONS :

Contact rating	16A, 250V AC resistive 20A, 125V AC motor
Bezel size	32mm x 25mm
Panel cut out	30mm x 22mm
Length behind bezel	33.0mm (including terminals)

GENERAL CHARACTERISTICS :

Operating temperature	-30°C to 50°C
Safety standard approval	UL 1054
Available options	red, amber, orange, green, white and blue
Switch Type	DPST

	230V,110V,48V,24V AC OR DC
YELLOW	MRP Rs. 72
RED	MRP Rs. 72
AMBER	MRP Rs. 72
BLUE	MRP Rs. 72
GREEN	MRP Rs. 72
WHITE	MRP Rs. 72

LIFE EXPECTANCY

Mechanical	30000 Cycles
Electrical	10000 Cycles
Contact resistance	20 mOhm max, initial @ 2-4V DC
Insulation resistance	>10000 mOhm

Illuminated rocker switch is easier to find in the dark. Indicator lights allow users to see the state of the switch.

Typical Applications

Cars
Boats
Military goods
Aircrafts
Coffee Maker
Rice Cooker



CONTROL GEARS PVT. LTD

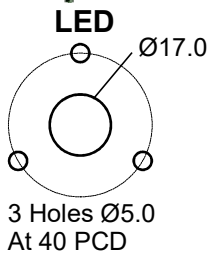
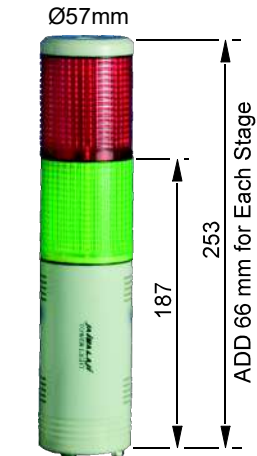
Post Box No. 27, 89 (New No. 107),SIDCO Industrial Estate,Ambattur, Chennai -600 098. India

Phone: +91 44 26251279 / 26257859 / 26254470 Fax: +91 44 26255038.

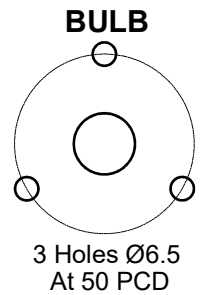
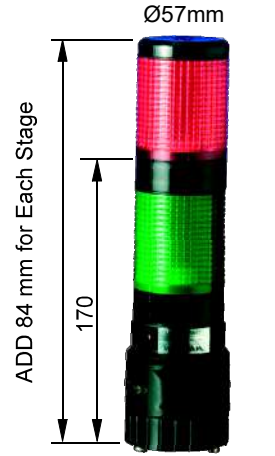
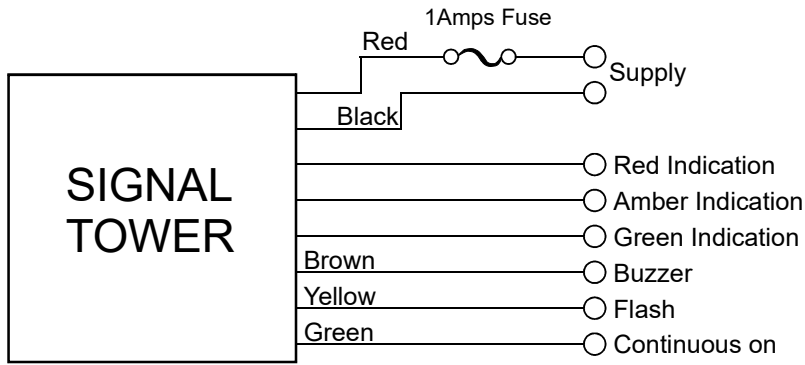
E-mail: dchandramohan@jaibalaji.firm.in Web: jaibalaji.in

JAIBALAJI

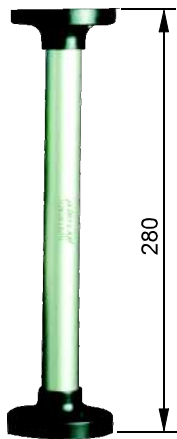
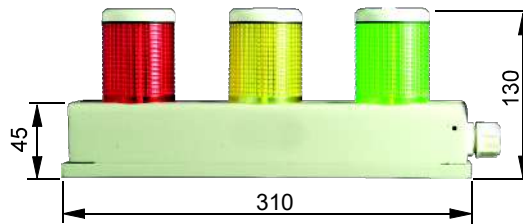
ELECTRONIC LED SIGNAL TOWER LIGHT CATALOGUE CUM PRICE LIST



CONNECTION DIAGRAM

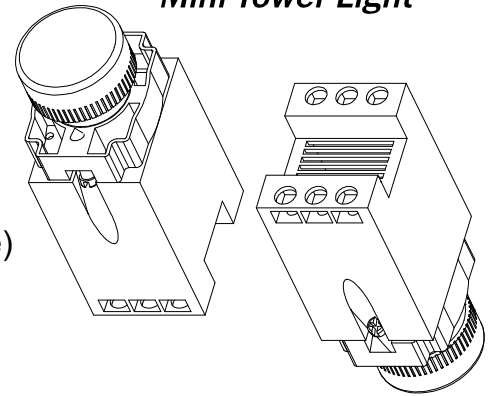


Bus Bar Indicator



Single	Red
Double	Red , Green
Triple	Red , Yellow , Green
Four	Red , Yellow , Green, (White or Blue)
Five	Red , Yellow , Green, Blue, White

Mini Tower Light



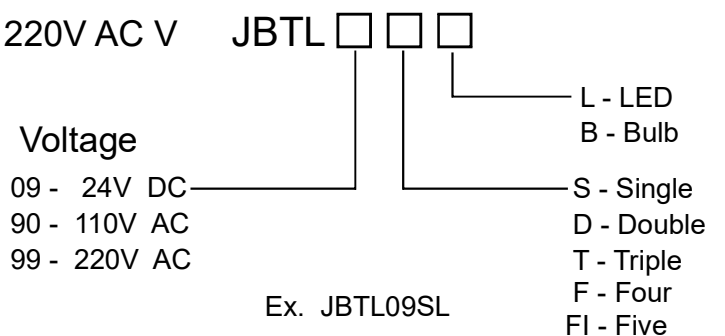
TECHNICAL SPECIFICATION

Voltage Range - 24V AC/DC 110V AC, 220V AC V

POWER

	LED	Bulb
Single	4W	5 / 10W
Double	6W	10 / 20W
Triple	8W	15 / 30W

ORDERING CODE



JAIBALAJI ELECTRONIC LED SIGNAL TOWER LIGHT

230V AC with Flash & Buzzer

<u>Sl. No</u>	<u>Type No.</u>	<u>Stack</u>	<u>Standard Color</u>	<u>M.R.P</u> <u>Each RS.</u>
1.	JBTL 99 SL (FB)	Single	Red	2115
2.	JBTL 99 DL (FB)	Double	Red, Green	2826
3.	JBTL 99 TL (FB)	Triple	Red, Yellow, Green	3294
4.	JBTL 99 FL (FB)	Four	Red, Yellow, Green, (White or Blue)	3960
5.	JBTL 99 FIL (FB)	Five	Red, Yellow, Green, Blue, White	4680

230V AC without Flash with Buzzer

<u>Sl. No</u>	<u>Type No.</u>	<u>Stack</u>	<u>Standard Color</u>	<u>M.R.P</u> <u>Each RS.</u>
1.	JBTL 99 SL (B)	Single	Red	1881
2.	JBTL 99 DL (B)	Double	Red, Green	2592
3.	JBTL 99 TL (B)	Triple	Red, Yellow, Green	3168
4.	JBTL 99 FL (B)	Four	Red, Yellow, Green, (White or Blue)	3735
5.	JBTL 99 FIL (B)	Five	Red, Yellow, Green, Blue, White	4635

24V DC with Flash & Buzzer

<u>Sl. No</u>	<u>Type No.</u>	<u>Stack</u>	<u>Standard Color</u>	<u>M.R.P</u> <u>Each RS.</u>
1.	JBTL 09 SL (FB)	Single	Red	1854
2.	JBTL 09 DL (FB)	Double	Red, Green	2511
3.	JBTL 09 TL (FB)	Triple	Red, Yellow, Green	2835
4.	JBTL 09 FL (FB)	Four	Red, Yellow, Green, (White or Blue)	4320
5.	JBTL 09 FIL (FB)	Five	Red, Yellow, Green, Blue, White	4554

24V DC without Flash with Buzzer

<u>Sl. No</u>	<u>Type No.</u>	<u>Stack</u>	<u>Standard Color</u>	<u>M.R.P</u> <u>Each RS.</u>
1.	JBTL 09 SL (B)	Single	Red	1413
2.	JBTL 09 DL (B)	Double	Red, Green	2124
3.	JBTL 09 TL (B)	Triple	Red, Yellow, Green	2691
4.	JBTL 09 FL (B)	Four	Red, Yellow, Green, (White or Blue)	3618
5.	JBTL 09 FIL (B)	Five	Red, Yellow, Green, Blue, White	4248

110V AC with Flash & Buzzer

<u>Sl. No</u>	<u>Type No.</u>	<u>Stack</u>	<u>Standard Color</u>	<u>M.R.P</u> <u>Each RS.</u>
1.	JBTL 90 SL (FB)	Single	Red	2565
2.	JBTL 90 DL (FB)	Double	Red, Green	3141
3.	JBTL 90 TL (FB)	Triple	Red, Yellow, Green	3690
4.	JBTL 90 FL (FB)	Four	Red, Yellow, Green, (White or Blue)	4410
5.	JBTL 90 FIL (FB)	Five	Red, Yellow, Green, Blue, White	5067

110V AC without Flash with Buzzer

<u>Sl. No</u>	<u>Type No.</u>	<u>Stack</u>	<u>Standard Color</u>	<u>M.R.P</u> <u>Each RS.</u>
1.	JBTL 90 SL (B)	Single	Red	2259
2.	JBTL 90 DL (B)	Double	Red, Green	2826
3.	JBTL 90 TL (B)	Triple	Red, Yellow, Green	3411
4.	JBTL 90 FL (B)	Four	Red, Yellow, Green, (White or Blue)	3996
5.	JBTL 90 FIL (B)	Five	Red, Yellow, Green, Blue, White	4680

<u>Sl. No</u>	ELECTRONIC MINI TOWER LIGHT 22.5 MM	<u>M.R.P.</u> <u>Each RS.</u>
1.	LED Indicating with Flash and Buzzer Red Colour	540
2.	LED Indicating with Flash and Buzzer Amber Colour	540
3.	LED Indicating with Flash and Buzzer Yellow Colour	540
4.	LED Indicating with Flash and Buzzer Green Colour	540
5.	LED Indicating with Flash and Buzzer White Colour	540
6.	LED Indicating with Flash and Buzzer Blue Colour	540



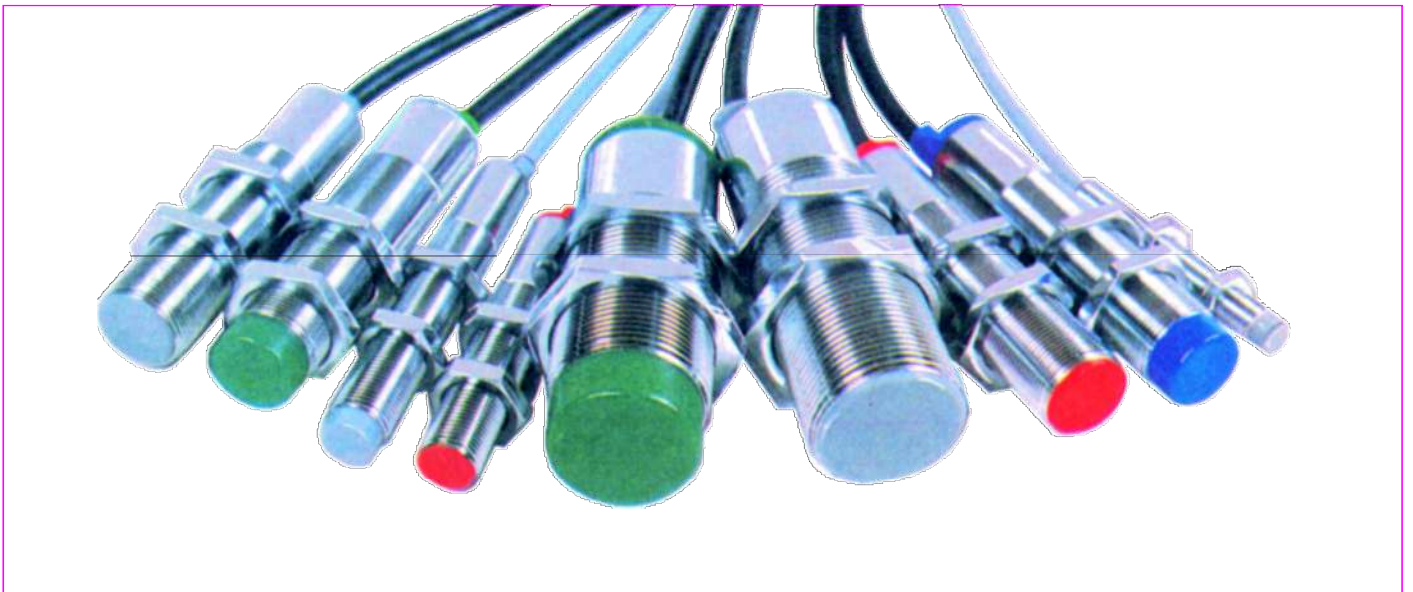


JNIBALAJI

RECOGNITION OF *Quality Plus*

INDUCTIVE PROXIMITY SWITCHES

CATALOGUE CUM PRICE LIST



FEATURES:

- * REF : STANDARD IEC 947-5-2
- * REVERSE POLARITY PROTECTION
- * SHORT CIRCUIT PROTECTION
- * OVERLOAD PROTECTION
- * FALSE PULSE DURING
- * POWER ON/OFF PROTECTION

JNIBALAJI India's ONLY manufacturers of ISI
Limit Switches has another range of high quality
Inductive Proximity sensors with

INDUCTIVE PROXIMITY SWITCHES

REF : STANDARD : IEC 947-5-2

Inductive Proximity switches are used to identify the presence of metal objects, speed measurements, position sensing, counting etc., without any physical contact with the objects. It enhances the durability of the switch and ensures maintenance free work.

Inductive Proximity switch generates high frequency alternating field at the active face by the oscillator circuit. When any metal object is brought into the field it causes oscillation to stop. Hence the demodulated voltage feeding the trigger disappears.

DC Inductive Proximity Switches:

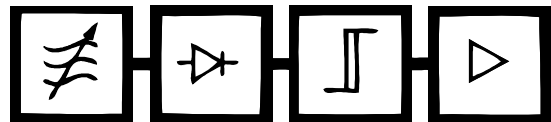
For DC switches the trigger operates rapidly when oscillation stops. This trigger switches the O/P, NPN/PNP transistor to drive an electronic circuit or relay.

AC Inductive Proximity Switches:

For AC switches a thyristor is triggered when oscillation stops. This thyristor is connected in series with a bridge and this series combination is connected to the AC load.

APPLICATIONS:

- AUTOMOBILE INDUSTRIES
- STEEL INDUSTRIES
- PACKAGING INDUSTRIES
- METAL HANDLING EQUIPMENT
- PROCESS AUTOMATION
- CNC / NC MACHINES
- CONVEYOR EQUIPMENT ETC.,



Resonant circuit oscillator stop when metal is sensed

Demodulator converts oscillator signal to DC voltage level

Trigger changes condition when oscillator stops

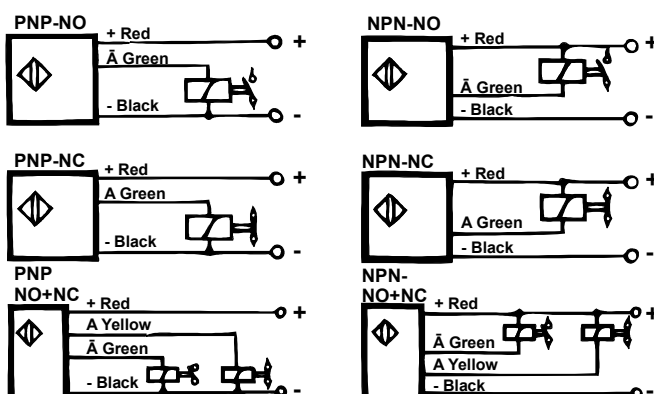
Output amplifier to drive load

DC SWITCHES SPECIFICATIONS	
Reference: STANDARD : IEC 947-5-2	
Nominal Voltage	10 - 30 VDC
Voltage Drop	0.8 - 7 V*
Load Current	300 mA *
No Load Current	10 - 20 mA *
Switching Frequency	200 HZ **
Ambient Temperature	-25° C To +60° C
Hsyteresis	≤15%
Sensing Distance Tolerance	±10%

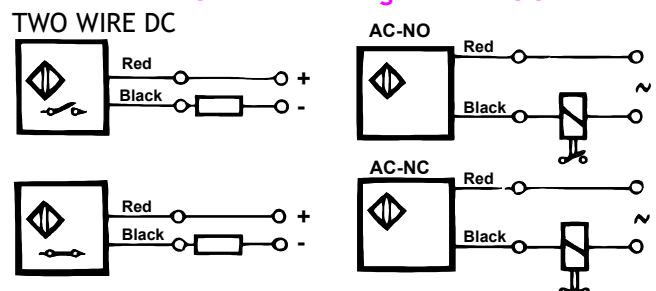
AC SWITCHES SPECIFICATIONS	
Reference: STANDARD : IEC 947-5-2	
Nominal Voltage	90 - 250 VAC
Voltage Drop	8 V
Load Current	500 mA Max
No Load Current	5 mA
Switching Frequency	15 HZ Max **
Ambient Temperature	-25° C To +60° C
Hsyteresis	≤15%
Sensing Distance Tolerance	±10%

- . Specification Varies depending on Switch Type.
- .. Specification Varies depending on Switch Size & Range.

Connection Diagram for DC Switches



Connection Diagram for AC Switches



INDUCTIVE PROXIMITY SWITCHES

TECHNICAL SPECIFICATIONS

DIMENSIONS in mm

MODEL	HOUSING	FLUSH / NON-FLUSH	MOUNTING THREAD	L1	L2	L3	NUT	ELECTRICAL TYPE	LED	SENSING DISTANCE Sn	TYPE OF PROTECTION
JB 8	M	F	8X1	35	60		14	PN	-	1	IP 67
JB 8	S	L	8X1	40	65		14	PN	-	1.5	IP 67
JB 12	M	L	12X1	45	65	5	17	PN	✓	4	IP 67
JB 12	M	F	12X1	55	75		17	PN	✓	2	IP 67
JB 12	S	L	12X1	50	70	3	17	PN	✓	4	IP 67
JB 18	S	L	18X1	55	75	7	24	TPNBA	✓	8	IP 67
JB 18	M	L	18X1	50	70	7	24	TPNBA	✓	8	IP 67
JB 18	M	F	18X1	55	75		24	TPNBA	✓	5	IP 67
JB 30	S	L	30X1.5	55	75	12	36	TPNBA	✓	15	IP 67
JB 30	M	L	30X1.5	45	65	12	36	TPNBA	✓	15	IP 67
JB 30	M	F	30X1.5	55	75		36	TPNBA	✓	10	IP 67
JB 36	M	L	36X1.5	45	65	20	44	TPNBA	✓	20	IP 67
JB 36	M	F	36X1.5	45	65		44	TPNBA	✓	15	IP 67
JB 50	M	L	50X1.5	40	60	16	57	TPNBA	✓	25	IP 67
JB 50	M	F	50X1.5	40	60		57	TPNBA	✓	20	IP 67

(NOTE :- STANDARD WIRE LENGTH PROVIDED - 2 MTS ONLY)

M-METAL
S-SYNTHETIC
F-FLUSH
L-NON-FLUSH
P-PNP

N-NPN

PN-THREE WIRE DC
T-TWO WIRE DC

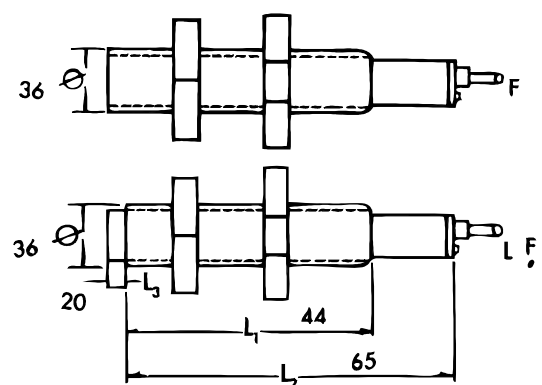
B-FOUR WIRE DC (NO + NC)

A-TWO WIRE AC

P₁ - PNP NO
P₂ - PNP NC
N₁ - NPN NO
N₂ - NPN NC

T₁ - 2 WIRE NO
T₂ - 2 WIRE NC
B₁ - PNP NO + NC
B₂ - NPN NO + NC
A₁ - AC NO
A₂ - AC NC

DIMENSIONS in mm



ORDERING CODE

Model. _____
Electrical Type T.P.N.B.A _____
Flush - F/ Non Flush - L _____
Housing (Metal-M / Synthetic-S) _____

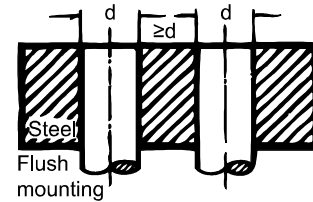
JB ET F/L M/S

Eg.: JB 18 T1 L S
JB 18 T2 FL M

Model denotes the size

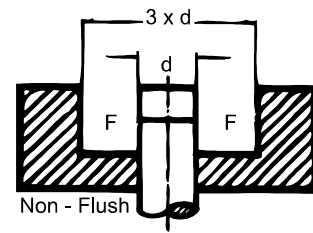
FLUSH MOUNTING IN METAL:

A proximity switch can be flush mounted in metal if it can be surrounded by metal up to the level of the active face, without changing its present characteristics. In order to avoid interference when mounting side by side, a spacing distance, corresponding to the diameter of the switch must be maintained.



NON FLUSH MOUNTING :

A proximity switch can be flush mounted in metal if zone is required for maintaining the characteristic values of the switch. A clear zone of 3x the diameter of the sensing surface should be maintained.



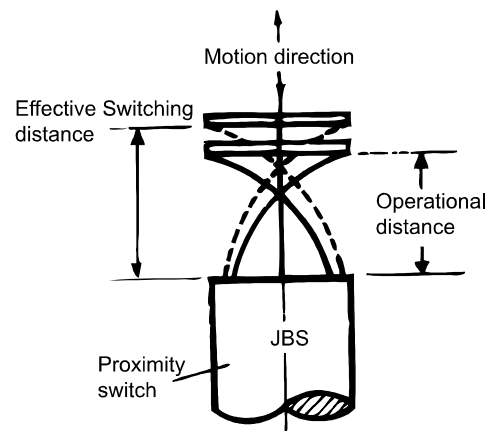
F - Clear zone containing only material that is non-conducting and has no magnetic properties

EFFECTIVE SWITCHING DISTANCE:

It is the switching distance when voltage and temperature can be at any value within the rating of the switch and this will be between 81 & 121% of switching distance.

OPERATIONAL DISTANCE:

It is the distance at which the operation of the proximity switch, under stated temperature and voltage conditions is guaranteed within 0 and 81% of the nominal switching distance.



SOME IMPORTANT CORRECTION FACTORS:

WHEN TARGET MATERIAL IS NOT STEEL

Chrome - nickel	approx. 0.9 x Sn
Brass	approx. 0.5 x Sn
Aluminium	approx. 0.4 x Sn
Copper	approx. 0.4 x Sn

PRICE LIST

3 Wire DC -PN Which includes: P1-PNP-NO, P2-PNP-NC & N1-NPN-NO, N2-NPN-NC		4 Wire DC - B B1- PNP- NO + NC & B2 - NPN - NO + NC		2 Wire DC - T T1 - NO & T2 - NC		2 Wire AC - A A1 - NO & A2 - NC	
JAIBALAJI Code	M.R.P. Rs.	JAIBALAJI Code	M.R.P. Rs.	JAIBALAJI Code	M.R.P. Rs.	JAIBALAJI Code	M.R.P. Rs.
JB 8 PN	1035	JB 12 B	919	JB 18 T	927	JB 12 A	1035
JB 12 PN	792	JB 18 B	945	JB 30 T	1179	JB 18 A	927
JB 18 PN	792	JB 30 B	1170	JB 36 T	1287	JB 30 A	1170
JB 30 PN	945	JB 36 B	1278	JB 50 T	1431	JB 36 A	1278
JB 36 PN	1017	JB 50 B	1413			JB 50 A	1422
JB 50 PN	1296						



Post Box No. 27, 89 (New No. 107),SIDCO Industrial Estate,Ambattur, Chennai -600 098. India
Phone: +91 44 26251279 / 26257859 / 26254470 Fax: +91 44 26255038.
E-mail: dchandramohan@jaibalaji.firm.in Web: jaibalaji.in

MIBALAJI

CAPACITIVE PROXIMITY SWITCHES

CATALOGUE CUM PRICE LIST

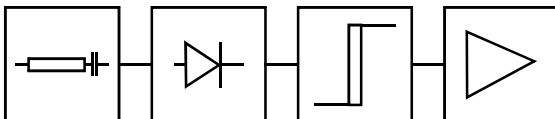


India's ONLY manufacturer of ISI marked Limit Switches has another range of high quality Capacitive Proximity Switches

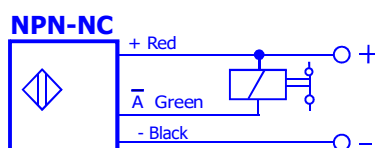
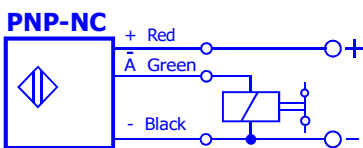
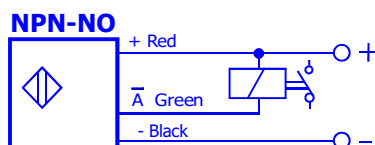
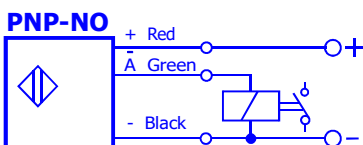
Capacitive Proximity Switches serves as a contactless sensors for positioning, monitoring and detecting all types of material. Capacitive Proximity Switch consists of an Oscillator, a Rectifier and an Amplifier. The capacitance between the sensing surface and mass increases when an object approaches active surface. When the capacitance value exceeds the preset level, oscillator generates AC signals. The Rectifier section converts this AC signal into DC and Amplifier amplifies this signal to drive a relay or a circuit.

APPLICATIONS

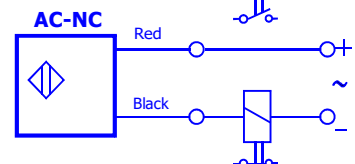
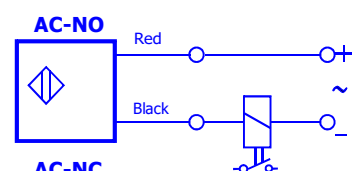
- Packaging Industries
- Chemical Industries
- Automobile Industries
- Wood Working Machinery



Connection Diagram for DC Switches



Connection Diagram for AC Switches





CAPACITIVE PROXIMITY SWITCHES

SPECIFICATIONS

DC Switches		AC Switches	
Supply Voltage	10 - 30 V	Supply Voltage	90 - 250 V
Voltage Drop	≤ 1.5 V	Voltage Drop	≤ 15 V
Load Current	250 mA	Load Current	250 mA
Switching Frequency	200 Hz	Switching Frequency	5 Hz
Hysteresis	≤ 25%	Hysteresis	≤ 25%
Sensing Distance	8 - 15 mm*	Sensing Distance	8 - 15 mm*
Ambient Temperature	0 - 70 °C	Ambient Temperature	0 - 70 °C
Protection	IP 65	Protection	IP 65
Sensitivity Adjustment	Through Potentiometer	Sensitivity Adjustment	Through Potentiometer

* Sensing range depends on materials and surrounding environment

Model	Housing	Size	Type
JBC 18	M/S	M18 X 75	D
JBC 30	M/S	M30 X 75	A,D

D	- DC	A	- AC
D ₁	- PNPNO	A ₁	- ACNO
D ₂	- PNPNC	A ₂	- ACNC
D ₃	- NPNNO		
D ₄	- NPNNC		

CORRECTION FACTOR

Metal	1.0
PVC	0.6
Glass	0.5
Water	1.0
Oil	0.2
Wood	0.2

To achieve the optimum performance each switch has to be adjusted for the working environment. If the object is a conductive material, it needs proper earthing.

REED MAGNETIC SWITCH (CODE: JBRM)

Reed magnetic switch contains a reed switch and a magnet enclosed in a separate housing. When the magnet passes nearby the reed switch it changes the output contact.

PRICE LIST

S.No.	JAIBALAJI Code	M.R.P. Rs.
1	JBCD 18	1431
2	JBCD 30	1584
3	JBCD 36	1620
4	JBCD 50	1710

SPECIFICATION

Enclosure	Aluminium or Plastic
Sensing distance	20mm Max.
Switching frequency	1Hz
Temperature	0 - 100 °C
Output contact	NO or NC
Contact rating	200 mA
Protection	P 67

*Potential free contacts suitable for voltage upto 220V AC



Post Box No. 27, 89 (New No. 107),SIDCO Industrial Estate,Ambattur, Chennai -600 098. India
Phone: +91 44 26251279 / 26257859 / 26254470 Fax: +91 44 26255038.
E-mail: dchandramohan@jaibalaji.firm.in Web: jaibalaji.in

PHOTO ELECTRONIC SENSORS

JAI BALAJI

PHOTO ELECTRONIC SENSORS

CATALOGUE CUM PRICE LIST



India's ONLY manufacturer of ISI marked Limit Switches has another range of high quality Photo Electronic Sensors

- Long detecting distance
- Stable detection
- External light security
- Accurate sensitivity setting
- Short circuit protection
- Reverse polarity protection
- False pulse during power on / off protection



PHOTO ELECTRONIC SENSORS

Photo Electronic Sensors are used to sense all kinds of objects at higher sensing distance compared to Inductive Proximity Switches and Capacitive Proximity Switches.

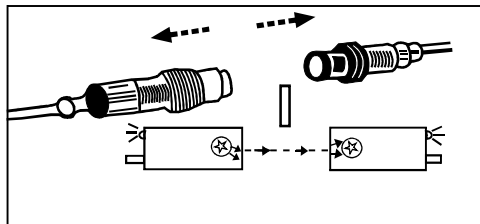
Photo Electronic Sensor consists of an Emitter, a Receiver and an Amplifier. Pulsed Infra-Red light beam is generated by the Emitter. This effective beam is reflected either by an object or by a reflector (depending on the type of sensor) and it returns to the receiver. The receiver converts the reflected incoming light signal into electrical signal, and the built-in amplifier amplifies the electric signal. The amplified signal drives output transistor (either NPN OR PNP) which in turn drives an Electronic circuit or a relay. Either of the following three types of Photo Electronic Sensors can be used to sense an object based on their sizes and colours.

APPLICATIONS

- Door opening devices
- Packaging machines
- Wood working machines
- Machine tools
- Process automation
- Plastic forming machines
- Textile machinery
- Conveyor equipment

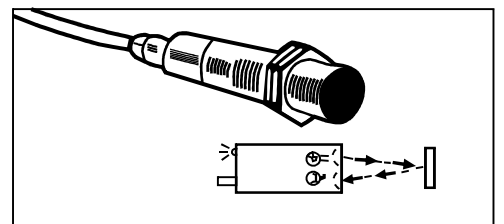
Thru Beam Type:

Emitter and Receiver are enclosed in different housing. The beam from the Emitter directly reaches the Receiver. Any interruption in the beam results in switching action.



Diffuse Reflective Type:

Both Emitter and Receiver are enclosed in a single housing. Infra-red light beam from emitter is reflected by an object. This reflected beam causes a change in receiver and produces an output signal.



Retro Reflective Type:

Emitter and Receiver are enclosed in a single housing and are aligned with a reflector. A continuous beam of light from the reflector reaches the receiver. Any interruption in the beam will result in an output signal from the receiver.

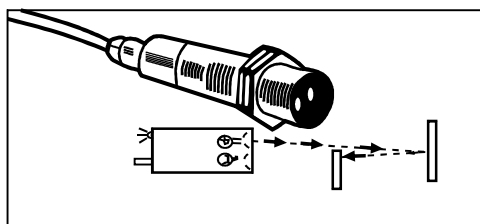


PHOTO ELECTRONIC SENSORS

ELECTRICAL DATA

Specifications	DC Switches	AC Switches
Supply Voltage	10- 30 V	90 - 230 V
Voltage Drop	≤ 2.5 V	≤ 8 V
Load Current	200 mA	200 mA
Switching Frequency	25 Hz	5 Hz
Hysteresis	≤ 5%	≤ 15%
Ambient Temperature	0° C to 50° C	0° C to 50° C

AC Switches are available in JBT 30 only.

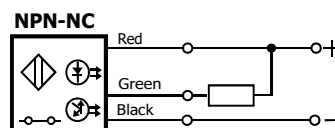
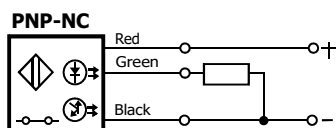
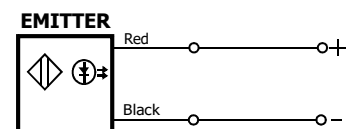
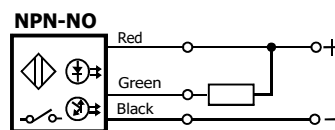
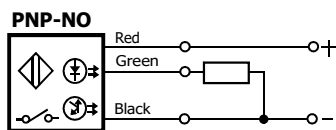
TECHNICAL DATA

Model	Housing	Size	Range		LED	Sensitivity Adjustment	Protection
JBD 18	M/S	M18 x 75	100mm	DF	✓	✓	IP 67
JBD 30	M/S	M30 x 75	300mm	DF	✓	✓	IP 67
JBR 18	M/S	M18 x 75	400mm	DF	✓	✓	IP 67
JBR 30	M/S	M30 x 75	1000mm	DF	✓	✓	IP 67
JBT 18	M/S	M18 x 75	5000mm	DF	✓	✓	IP 67
JBT 30	M/S	M30 x 75	10000mm	ADF	✓	✓	IP 67

(Note: Standard wire length provided - 2 mts only)

- D - Three wire DC
- D₁ - PNP-NO
- D₂ - PNP-NC
- D₃ - NPN-NO
- D₄ - NPN-NC
- F - Four wire DC
- F₁ - PNP NO+NC
- F₂ - NPN NO+NC
- A - Two wire AC
- A₁ - AC-NO
- A₂ - AC-NC

Connection Diagram



Dimensions in mm

P H O T O E L E C T R O N I C S E N S O R S

Correction Factor:

White Paper	1
Metal glossy	1.1 to 1.6
Al. Black anodised	1.1 to 1.6
PVC	0.5
Wood	0.4
White Cotton Cloth	0.6

Colour Mark Sensor:

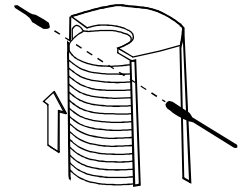
These sensors are mainly used to differentiate Light and Dark colours. Emitter and Receiver are enclosed in a single housing. The transmitted light beam is reflected by the light colour and it returns to the receiver. When the dark colour mark enters into this light beam, the receiver senses the changes in colour by reflection.

Colour Mark Sensor Code:

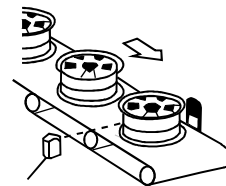
JBE 18 PNP/NPN NO/NC

- Photo Electronic Fork Sensors are also available.

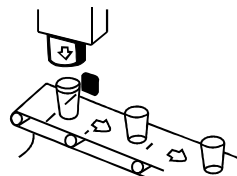
Applications:



WAFER RACK POSITIONING



DETECTION OF
AUTOMOBILE WHEEL PASSAGE



DETECTION OF
DOUBLE-FED PLASTIC CUPS

PRICE LIST

DIFFUSE TYPE (JBD)			RETRO REFLECTIVE (JBR)		
JAIBALAJI Code	RANGE	M.R.P. Rs.	JAIBALAJI Code	RANGE	M.R.P. Rs.
JBD 18	100 mm	1953	JBR 18	400 mm	2070
JBD 30	300 mm	2070	JBR 30	1000 mm	2160
THRO' BEAM (JBT)			COLOUR MARK SENSOR (JBE)		
JAIBALAJI Code	RANGE	M.R.P. Rs.	JAIBALAJI Code	RANGE	M.R.P. Rs.
JBT 18	5000 mm	2070	JBE 18	8-10 mm	1953
JBT 30	10000 mm	2160	JBE 30	12-15 mm	2070

Mains operated Power supply with single change over contact (6A) - Rs.1233 Each

Standard wire length provided - 2Mtrs. only. Rs. 135/- Each per meter will be charged for extra cables.

Connector Type Rs. 855/- extra

JAIBALAJI
CONTROL GEARS PVT. LTD

Post Box No. 27, 89 (New No. 107), SIDCO Industrial Estate, Ambattur, Chennai -600 098. India

Phone: +91 44 26251279 / 26257859 / 26254470 Fax: +91 44 26255038.

E-mail: dchandramohan@jaibalaji.firm.in Web: jaibalaji.in

**ELECTRONIC TIMER DIN RAIL****ANALOG TIMER :**

MODEL	TIME RANGES	MODES	SUPPLY VOLTAGE	RELAY CONTACT	M.R.P. EACH. RS.
SVM 330	3/30 SEC/MIN	ON DELAY	230V AC*	1 C/O**	Rs. 873.00
SVM 660	6/60 SEC/MIN	INTERVAL			
SVH 330	3/30 MIN/HOUR				
SVH 660	6/60 MIN/HOUR				
		EQUAL CYCLIC ON FIRST			
		EQUAL CYCLIC OFF FIRST			
AVM 330	3/30 SEC/MIN	ALL MODES ARE USER SELECTABLE	24-240V AC/DC	1 C/O	Rs.1116.00
AVM 660	6/60 SEC/MIN				
AVH 330	3/30 MIN/HOUR				
AVH 660	6/60 MIN/HOUR				
UEC 660	6/60 SEC/MIN/HOUR	UNEQUAL CYCLIC ON FIRST UNEQUAL CYCLIC OFF FIRST	230V AC*	1 C/O**	Rs.909.00
FR 009	ON TIME 6/60 SEC/MIN PAUSE TIME 6/60 SEC	FORWARD / REVERSE	230V AC*	1 C/O	Rs.1035.00
RC 660	RUN TIME 6/60 SEC/MIN TRANSFER TIME 40/100 ms	STAR DELTA	230V AC*	1 C/O	Rs.1035.00

* Other voltage ranges are also available as per customer requirement.

** For 2 No + 2 NC add Rs. 135/- extra

DIGITAL TIMER - DIN RAIL :

MODEL	TIME RANGES	MODES	SUPPLY VOLTAGE	RELAY CONTACT	M.R.P. EACH. RS.	
DC - 99	0.1 SEC to 99 HRS	ON DELAY	24-240V AC/DC	1 C/O	Rs.1278.00	
		INTERVAL				
		EQUAL CYCLIC ON FIRST			2 C/O	Rs.1449.00
		EQUAL CYCLIC OFF FIRST				
		ALL MODES ARE USER SELECTABLE				



	MODEL	TIME RANGES	MODES	SUPPLY VOLTAGE	RELAY CONTACT	M.R.P. EACH.
1.	DC-99S	Star: 0.1 sec-99 min Pause Time : 40-99 msec.	Star - Delta	24V-265V, AC / DC	2 NO, 2A @250V AC	Rs.1278.00
2.	DC-99F	F/R : 0.1 sec-99 min Pause : 01sec - 99-min.	Forward / Reverse	24V-265V, AC / DC	2NO, 2A @250V AC	Rs.1278.00
3.	CV-9	999999 COUNTS	Normal Count	85V-265V AC / DC	No Relay Output	Rs.3141.00
4.	4896-I	0.001-9999 sec/min/hr	Interval	85V-265V AC/DC	1C/O, 5A @250V AC	Rs.3663.00
5.	4896-H	0.999999.9 hr	Hr.meter (No Reset)	85V-265V AC/DC	No Relay	Rs.3663.00
6.	4896-TC	0.001 sec -9999 hr & 0-9999 Counts	Timer: ON, IN, OFF, Cyclic / Counter: (N-Mode) Counter with Timer	85V-265V AC/DC	2C/O, 5A @250V AC	Rs.3798.00
7.	4896-T	0.001 sec - 9999 hr	ON, IN, OFF, F, CYCLIC	85V-265V AC/DC	2C/O, 5A @250V AC	Rs.3798.00
8.	4896-C	0.001 - 9999 Counts	N, F, C, K, Type Counting	85V - 265V AC /DC	2C/O, 5A @250V AC	Rs.3798.00
9.	4896-TT	0.9999999 Counts	N, F, C, K, Type Counting	85V - 265V AC /DC	2C/O, 5A @250V AC	Rs.3798.00





ELECTRONIC DIGITAL METERS

AUX SUPPLY : 240V AC (170-265V)
(OR) 110V AC(85-130V)**1Ø AC VOLTMETER**

MODEL	TYPE NO.	INPUT RANGE	DISPLAY READING	ACCURACY	M.R.P. PRICE
AV101		0-200 MV	0-199.9 MV	CLASS 0.5	Rs.-1161.00/- Each
AV102		0-2V	0-1.999 V		
AV103		0-20V	0-19.99 V		
AV104		63.5(51.0-76.0)V	51.0-76.0V		
AV105		110(80-130)V	80.0-110.0V		
AV106		240(0-300)V	0-300V		
AV107		415(0-500)V	0-500 V		
AV108		1000(50-1000)V	50-1000V		

PT INPUT-110V(80-130V)

AV1 PT (Field settable)	1	1.1kv/110V 11kv/110V 110kv/110V	0.80-1.30kv 8.0-13.0kv 80-130kv	CLASS 1.0	Rs. 1161.00 /- Each
	2	2.2kv/110V 22kv/110V 220kv/110V	1.60-2.60kv 16.0-26.0kv 160-260kv		
	3	3.3kv/110V 33kv/110V	2.40-3.90kv 24.0-39.0kv		
	4	6.6kv/110V 66kv/110V	4.80-7.80kv 48.0-78.0kv		

3Ø AC VOLTMETERAUX SUPPLY : 240V AC (170-265)
(OR) 110V AC(85-130V)**WITH AUTO / MANUAL SELECTION**

AV301		415V(330-470V) (3Ø-3 WIRE SYSTEM)	330-470V	CLASS 1.0	Rs.1899.00/- Each
AV302		240V(170-270V) (3Ø-4 WIRE SYSTEM)	170-270		

PT INPUT-110V (80-130V)

AV3PT (Field settable)	1	1.1kv/110V 11kv/110V 110kv/110V	0.80-1.30kv 8.0-13.0kv 80-130kv	CLASS 1.0	Rs.1899.00/- Each
	2	2.2kv/110V 22kv/110V 220kv/110V	1.60-2.60kv 16.0-26.0kv 160-260kv		
	3	3.3kv/110V 33kv/110V	2.40-3.90kv 24.0-39.0kv		
	4	6.6kv/110V 66kv/110V	4.80-7.80kv 48.0-78.0kv		

AC AMMETER

AA101		0-200 mA	0-200 mA	CLASS 0.5	Rs.1161.00 /- Each
AA102		0-2mA	0-2.00mA		
AA103		0-20mA	0-20.0mA		
AA104		0-200mA	0-200mA		
AA100		0-2A	0-2.00A		
AA105		0-30A	0-30.0A		



JAIBALAJI ELECTRONIC DIGITAL METERS

CT INPUT - 1A (0.05-1.2 A)

MODEL	TYPE NO.	INPUT RANGE	DISPLAY READING	ACCURACY	M.R.P. PRICE
AA1CT AA3CT (Field settable)	25	10A / 1A 100A / 1A	0.5-12.0A 5-120A	CLASS 1.0	AA1CT=Rs.1818/- Each AA3CT=Rs.1998/- Each
	26	12A / 1A 120A / 1A	0.6-14.4A 6-144A		
	27	15A / 1A 150A / 1A	0.7-18.0A 7-180A		
	28	16A / 1A 160A / 1A	0.8-19.2A 8-192A		
	29	20A / 1A 200A / 1A	1.0-24.0A 10-240A		
	30	25A / 1A 250A / 1A	1.2-30.0A 12-300A		
	31	30A / 1A 300A / 1A	1.5-36.0A 15-360A		
	32	40A / 1A 400A / 1A	2.0-48.0A 20-480A		
	33	50A / 1A 500A / 1A	2.5-60.0A 25-600A		
	34	60A / 1A 600A / 1A	3.0-72.0A 30-720A		
	35	70A / 1A 700A / 1A	3.5-84.0A 35-840A		
	36	80A / 1A 800A / 1A	4.0-96.0A 40-960A		

CT INPUT -1A (0.05-1.2 A)

AA1CT & AA3CT	37	1.0 KA / 1A	0.5-12.0 KA	CLASS 1.0	AA1CT=Rs.1818/- Each AA3CT=Rs.1998/- Each
	38	1.2 KA / 1A	0.6-14.4 KA		
	39	1.5 KA / 1A	0.7-18.0 KA		
	40	1.6 KA / 1A	0.8-19.2 KA		
	41	2.0 KA / 1A	1.0-24.0 KA		
	42	2.5 KA / 1A	1.2-30.0 KA		
	43	3.0 KA / 1A	1.5-36.0 KA		
	44	4.0 KA / 1A	2.0-48.0 KA		
	45	5.0 KA / 1A	2.5-60.0 KA		
	46	6.0 KA / 1A	3.0-72.0 KA		
	47	7.0 KA / 1A	3.5-84.0 KA		
	48	8.0 KA / 1A	4.0-96.0 KA		

Note : AA1CT - 1Ø - Ammeter / AA3CT - 3Ø - Ammeter



JAIBALAJI ELECTRONIC DIGITAL METERS

FREQUENCY METER

AUX SUPPLY : 85V - 265V AC / DC

VRF 100		40-500V AC	20.0 - 99.9 Hz	CLASS 0.5	Rs.1179.00/- Each
---------	--	------------	----------------	-----------	-------------------

DIGITAL PANEL METER

AUX SUPPLY : 230V AC (or) 110 AC

MODEL	TYPE NO.	INPUT RANGE	DISPLAY READING	ACCURACY	M.R.P. PRICE
MW 103	1	0-300 mV	0-300mw	CLASS 0.5	Rs.-1161.00/- Each
MW 103	2	0-10V DC	0-600	CLASS 1.0	Rs.-1161.00/- Each

DC VOLTMETER

AUX SUPPLY : 230V AC (or) 110 AC
(or) 85-265V AC (or) DC

MODEL	TYPE NO.	INPUT RANGE	DISPLAY READING	ACCURACY	M.R.P. PRICE
DV101		0 to \pm 2 mV DC	0 to \pm 19.99	CLASS 0.5	Rs.-1161.00/- Each
DV102		0 to \pm 200 mV DC	0 to \pm 199.9		
DV103		0 to \pm 2V DC	0 to \pm 1.999	CLASS 1.0	Rs.-1161.00/- Each
DV104		0 to \pm 20V DC	0 to \pm 19.99		
DV105		0 to \pm 200V DC	0 to \pm 199.9		
DV106		0 to \pm 500V DC	0 to \pm 500v		
DV107		0 to \pm 1000V DC	0 to \pm 1000v		

DC AMMETER

MODEL	TYPE NO.	INPUT RANGE	DISPLAY READING	ACCURACY	M.R.P. PRICE
DA101		0 to \pm 20 mA DC	0 to \pm 20.0 mA	CLASS 0.5	Rs.-1161.00/- Each
DA102		0 to \pm 2 mA DC	0 to \pm 1.999 mA		
DA103		0 to \pm 20 mA DC	0 to \pm 19.99 mA		
DA104		0 to \pm 200 mA DC	0 to \pm 200 mA		
Dv105		0 to \pm 2 A DC	0 to \pm 1.999 A		
DA106		0 to \pm 10 A DC	0 to \pm 10.0 A		



**ELECTRONIC DIGITAL METERS**AUX SUPPLY : 240V AC (170-265) (or) 110V AC
(or) 85-265V AC (or) DC**DC AMMETER-SHUNT INPUT (75mV)**

MODEL	TYPE NO.	SHUNT INPUT 75mV (5-90mV)	DISPLAY READING	ACCURACY	M.R.P. PRICE
DAST	1	a. 5A / 75 mV b. 50A / 75 mV c. 500A / 75 mV	a. 0.33 - 5.33A b. 3.3 - 53.3A c. 33 - 533A	CLASS 1.0	Rs.-1161.00/- Each
	2.	a. 10A / 75 mV b. 100A / 75 mV	a. 0.6 - 10.6A b. 6 - 106A		
	3.	a. 15A / 75 mV b. 150A / 75 mV	a. 1.0 - 16.0A b. 10 - 160A		
	4.	a. 20A / 75 mV b. 200A / 75 mV	a. 1.2 - 21.2A b. 12 - 212A		
	5.	a. 25A / 75 mV b. 250A / 75 mV	a. 1.6 - 26.6A b. 16 - 266A		
	6.	a. 30A / 75 mV b. 300A / 75 mV	a. 2.0 - 32.0A b. 20 - 320A		
	7.	a. 40A / 75 mV b. 400A / 75 mV	a. 2.6 - 48.0A b. 26.6 - 480A		
	8.	a. 60A / 75 mV b. 600A / 75 mV	a. 4.0 - 64.0A b. 40 - 640A		
	9.	a. 75A / 75 mV b. 750A / 75 mV	a. 5.0 - 80.0A b. 50 - 800A		

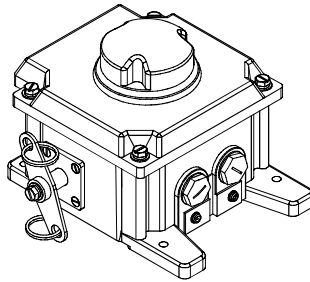
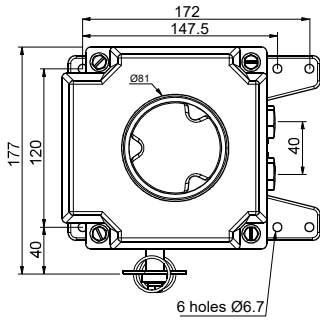
DC AMMETER - SHUNT INPUT = 60mV (4-75mV)

MODEL	TYPE NO.	INPUT RANGE	DISPLAY READING	ACCURACY	M.R.P. PRICE
DAST	10	a. 5A / 60 mV b. 50A / 60 mV c. 500A / 60 mV	a. 0.33 - 6.25A b. 3.3 - 62.5A c. 33 - 625A	CLASS 1.0	Rs.-1161.00/- Each
	11.	a. 10A / 60 mV b. 100A / 60 mV	a. 0.6 - 12.5A b. 6 - 125A		
	12.	a. 15A / 60 mV b. 150A / 60 mV	a. 1.0 - 18.7A b. 10 - 187A		
	13.	a. 20A / 60mV b. 200A / 60 mV	a. 1.3 - 25.0A b. 13 - 250A		
	14.	a. 25A / 60 mV b. 250A / 60 mV	a. 1.6 - 31.2A b. 16 - 312A		
	15.	a. 30A / 60mV b. 300A / 60 mV	a. 2.0 - 37.5A b. 20 - 375A		
	16.	a. 40A / 60mV b. 400A / 60 mV	a. 2.6 - 50.0A b. 26.6 - 500A		
	17.	a. 60A / 60 mV b. 600A / 60 mV	a. 4.0 - 75.0A b. 40 - 750A		
	18.	a. 75A / 60 mV b. 750A / 60 mV	a. 5.0 - 93.7A b. 50 - 937A		

NOTE :CLASS1.0 :+(0.5%FSD +0.5% OF READING CLASS 0.5 :+(0.25 FSD + 0.25% OF READING
BOX SIZE : 96 x 48 x 125 mm CUTOUT SIZE : 90 x 45 mmELECTRONIC BUS BAR INDICATOR
RED, YELLOW, BLUE OR GREEN, AMBER, WHITE (ANY THREE
COLOURS)**M.R.P.**
RS.2286/-
Each

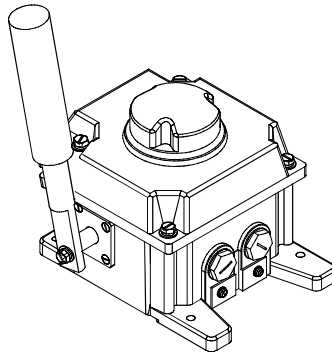
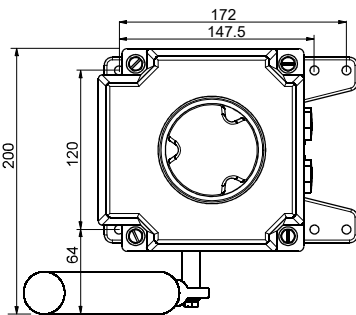
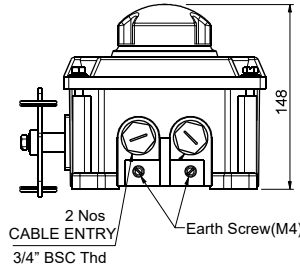
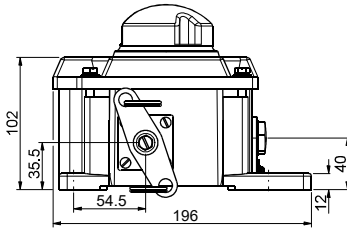


PULL CORD & BELT SWAY SWITCHES AND HEAVY DUTY LIMIT SWITCH WITH INDICATOR CATALOGUE CUM PRICE LIST



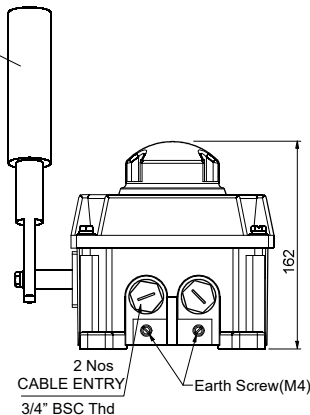
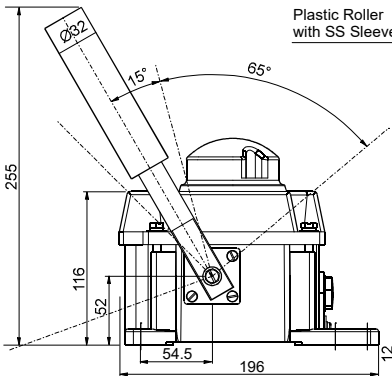
PULL CORD SWITCH

MODEL	DESCRIPTION	M.R.P. Rs.
JBRRV-9	Heavy Duty Pull cord switch with Indicator (1NO+1NC) Normal Action	3078
JBRRV-9 P	Heavy Duty Pull cord switch without Indicator (1NO+1NC) Normal Action	3015
JBRRV-18	Heavy Duty Pull cord switch with Indicator (1NO+1NC) Snap Action	3312
JBRRV-18 P	Heavy Duty Pull cord switch without Indicator (1NO+1NC) Snap Action	3258
JBRRV-27	Heavy Duty Pull cord switch with Indicator (2NO+2NC) Snap Action	3717
JBRRV-27 P	Heavy Duty Pull cord switch without Indicator (2NO+2NC) Snap Action	3645

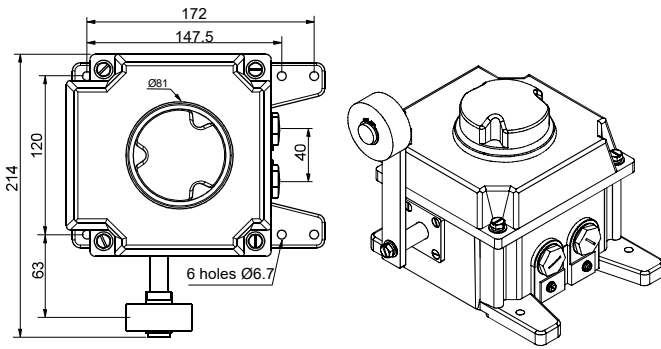


BELT SWAY SWITCH

MODEL	DESCRIPTION	M.R.P. Rs.
JBSMV-9	Heavy Duty Belt sway switch with Indicator (1NO+1NC) Snap Action	3456
JBSMV-9 P	Heavy Duty Belt sway switch without Indicator (1NO+1NC) Snap Action	3411
JBSMV-18	Heavy Duty Belt sway switch with Indicator (2NO+2NC) Snap Action	3987
JBSMV-18 P	Heavy Duty Belt sway switch without Indicator (2NO+2NC) Snap Action	3924

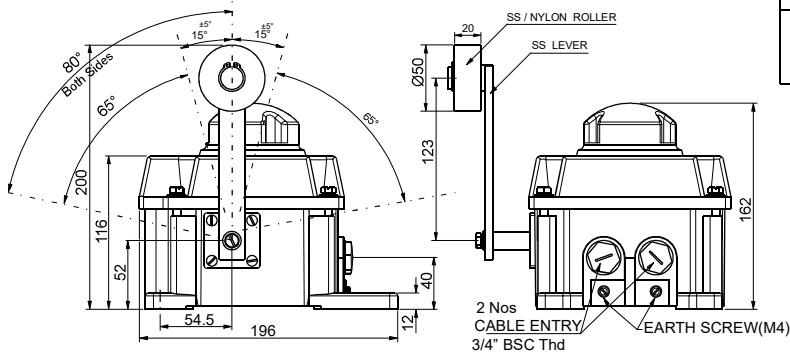


Post Box No. 27, 89 (New No. 107),SIDCO Industrial Estate,Ambattur, Chennai -600 098. India
 Phone: +91 44 26251279 / 26257859 / 26254470 Fax: +91 44 26255038.
 E-mail: dchandramohan@jaibalaji.firm.in Web: jaibalaji.in



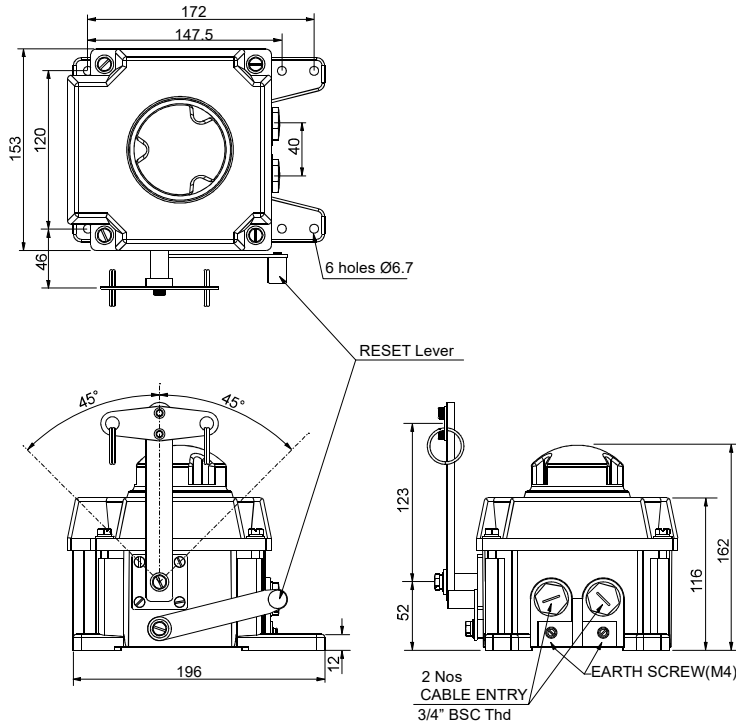
HEAVY DUTY LIMIT SWITCH

MODEL	DESCRIPTION	M.R.P. Rs.
JBSMV-36	Heavy Duty Limit switch with Indicator (1NO+1NC) Snap Action	3069
JBSMV-36 P	Heavy Duty Limit switch without Indicator (1NO+1NC) Snap Action	3015
JBSMV-45	Heavy Duty Limit switch with Indicator (2NO+2NC) Snap Action	3636
JBSMV-45 P	Heavy Duty Limit switch without Indicator (2NO+2NC) Snap Action	3600



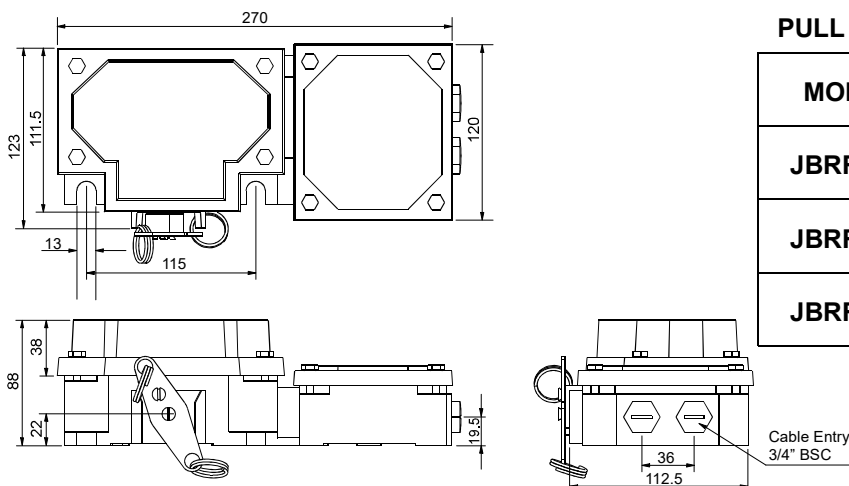
HEAVY DUTY LIMIT SWITCH (MANUAL RESET)

MODEL	DESCRIPTION	M.R.P. Rs.
JBSMV-72	Heavy Duty Limit switch Manual Reset with Indicator (2NO+2NC) Snap Action	4743
JBSMV-90	Heavy Duty Limit switch Manual Reset with Indicator (1NO+1NC) Snap Action	4473



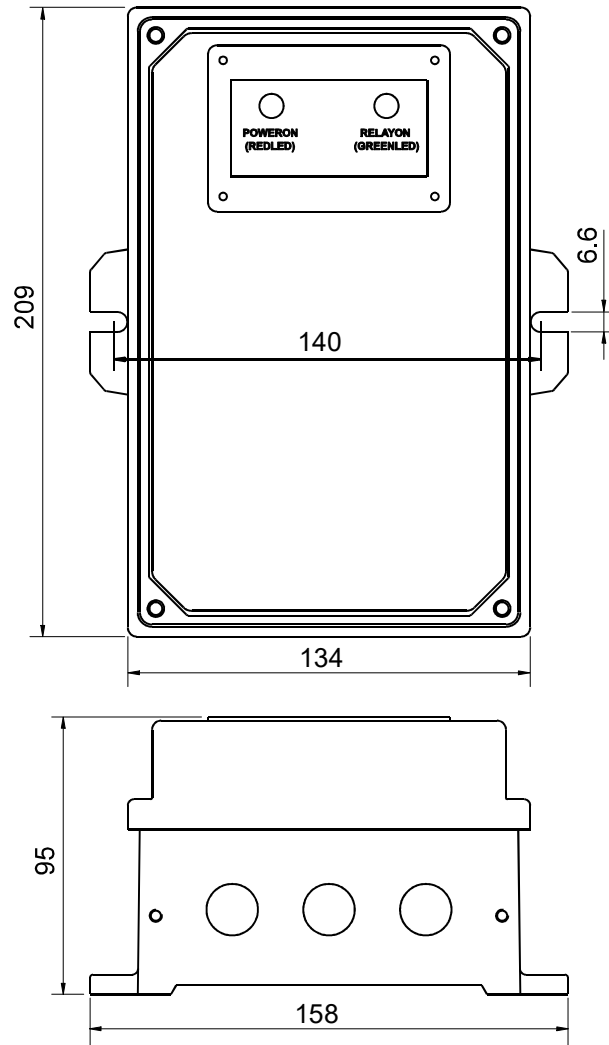
PULL CORD SWITCH WITH TERMINAL BOX

MODEL	DESCRIPTION	M.R.P. Rs.
JBRRV-9TB	Heavy Duty Pull cord switch with Terminal Box (1NO+1NC) Normal Action	3492
JBRRV-18TB	Heavy Duty Pull cord switch with Terminal Box (1NO+1NC) Snap Action	3663
JBRRV-27TB	Heavy Duty Pull cord switch with Terminal Box (2NO+2NC) Snap Action	3924



JAIBALAJI

ZERO SPEED SWITCH CATALOGUE CUM PRICE LIST



Model	RPM RANGE	MRP Rs..
Model: JBZSS 10	1-10RPM	4626
Model: JBZSS 50	5-50RPM	4626
Model: JBZSS 100	10-100RPM	4626
Model: JBZSS 500	50-500RPM	4626
Model: JBZSS 1000	100-1000RPM	4626
Model: JBZSS 5000	500-5000RPM	4626

JAIBALAJI
CONTROL GEARS PVT. LTD

Post Box No. 27, 89 (New No. 107),SIDCO Industrial Estate,Ambattur, Chennai -600 098. India
Phone: +91 44 26251279 / 26257859 / 26254470 Fax: +91 44 26255038.
E-mail: dchandramohan@jaibalaji.firm.in Web: jaibalaji.in